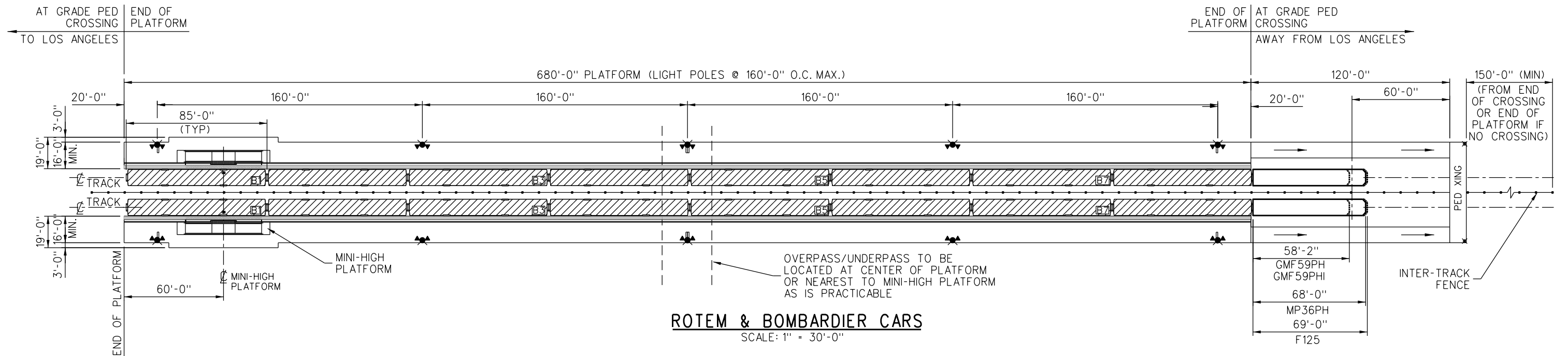


NOTES:

1. COMMUNICATIONS SHELTER NOT SHOWN FOR CLARITY. FOR COMMUNICATIONS SHELTER LOCATION SEE SCRR DESIGN CRITERIA.
2. CRITERIA SHOWN ON THIS DRAWING FOR PEDESTRIAN CROSSING SHALL BE APPLIED WHEN A PEDESTRIAN CROSSING IS REQUIRED AT OPPOSITE END OF PLATFORM. FOR ADDITIONAL INFORMATION ON PEDESTRIAN CROSSING SEE SCRR STANDARD DRAWING ES4020 AND ES4021.



REV.	DATE	DESCRIPTION	DES.	ENG.
D	05/18/20	OMIT CPUC RAMP & DETAILS, REVISE PLAN AND NOTES	AC	JMM
C	05/31/17	REVISED NOTES (NOTE 8 OMITTED)	AC	LA
B	10/04/16	ADDED CPUC RAMP	AC	NDP
A	06-29-12	REVISED PLATFORMS AT MINI-HIGH LOCATIONS	AC	NDP

DRAWN BY: A. CARLOS DATE: 05/21/08

[Signature]
PRINCIPAL ENGINEER, DESIGN & STANDARDS

[Signature]
ASSISTANT DIRECTOR, DESIGN

SCRR ENGINEERING STANDARDS ARE INTENDED FOR SCRR APPROVED USES ONLY. FOR NON-SCRR APPROVED USES, SCRR SHALL NOT BE RESPONSIBLE FOR THE ACCURACY OR COMPLETENESS OF THE DATA OR INFORMATION CONTAINED HEREIN. THE SELECTION AND USE OF THESE STANDARDS IS THE SOLE RESPONSIBILITY OF THE USER AND SHOULD NOT BE USED WITHOUT CONSULTING A REGISTERED PROFESSIONAL ENGINEER. ALL WARRANTIES AND REPRESENTATIONS OF ANY KIND ARE DISCLAIMED. ANYONE MAKING USE OF THIS INFORMATION AGREES THAT IT ASSUMES ALL LIABILITY ARISING FROM SUCH USE. NO PART OF THESE STANDARDS SHOULD BE REPRODUCED OR DISTRIBUTED IN ANY FORM OR BY ANY MEANS WITHOUT THE PRIOR WRITTEN PERMISSION OF SCRR. ALL RIGHTS RESERVED.

METROLINK
SOUTHERN CALIFORNIA REGIONAL RAIL AUTHORITY
900 WILSHIRE BLVD., SUITE 1500, L. A., CA. 90017

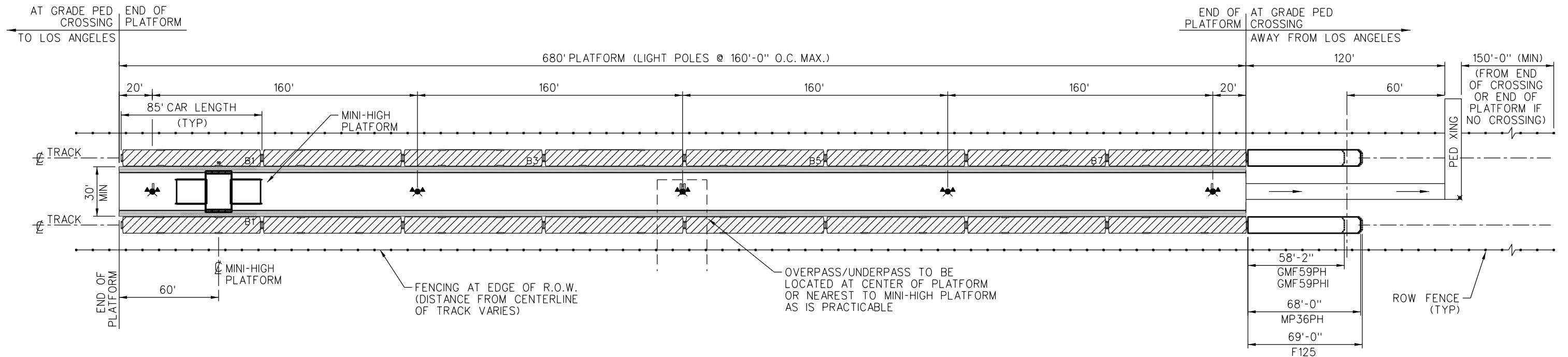
ENGINEERING STANDARDS

METROLINK STATION STANDARDS
SIDE PLATFORMS

STANDARD	3002
SCALE:	AS NOTED
REVISION SHEET	D 1 OF 1
CADD FILE:	ES3002

NOTES:

1. CRITERIA SHOWN ON THIS DRAWING FOR PEDESTRIAN CROSSING SHALL ALSO BE APPLIED WHEN A PEDESTRIAN CROSSING IS REQUIRED AT OPPOSITE END OF PLATFORM. FOR ADDITIONAL
2. IF APPROVAL IS GRANTED FOR CONSTRUCTION OF CENTER PLATFORM BY SCRRA ASSISTANT DIRECTOR, DESIGN THE CONFIGURATION SHOWN ON THIS DRAWING IS RECOMMENDED.



ROTEM & BOMBARDIER CARS

REV.	DATE	DESCRIPTION	DES.	ENG.
D	05/18/20	REVISED NOTES, OMITTED CPUC RAMP, PLAN AND DETAILS	AC	JMM
C	05/31/17	REVISED NOTES (NOTE 8 OMITTED)	AC	LA
B	10/04/16	ADDED CPUC RAMP	AC	NDP
A	01/10/13	REVISED MINI-HIGH CONFIGURATION	AC	NDP

DRAWN BY: A. CARLOS DATE: 05/21/08

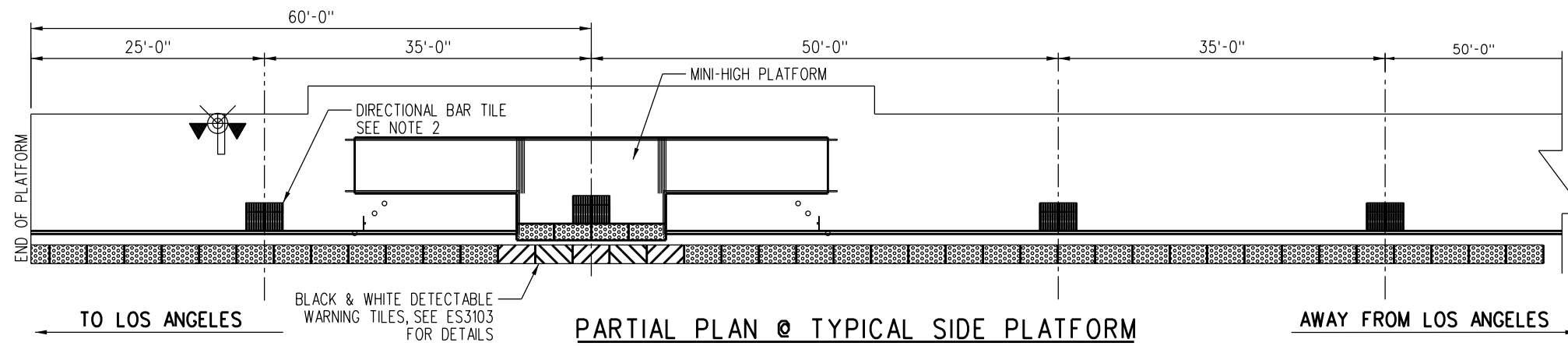
SCRRRA ENGINEERING STANDARDS ARE INTENDED FOR SCRRRA APPROVED USES ONLY. FOR NON-SCRRRA APPROVED USES, SCRRRA SHALL NOT BE RESPONSIBLE FOR THE ACCURACY OR COMPLETENESS OF THE DATA OR INFORMATION CONTAINED HEREIN. THE SELECTION AND USE OF THESE STANDARDS IS THE SOLE RESPONSIBILITY OF THE USER AND SHOULD NOT BE USED WITHOUT CONSULTING A REGISTERED PROFESSIONAL ENGINEER. ALL WARRANTIES AND REPRESENTATIONS OF ANY KIND ARE DISCLAIMED. ANYONE MAKING USE OF THIS INFORMATION AGREES THAT IT ASSUMES ALL LIABILITY ARISING FROM SUCH USE. NO PART OF THESE STANDARDS SHOULD BE REPRODUCED OR DISTRIBUTED IN ANY FORM OR BY ANY MEANS WITHOUT THE PRIOR WRITTEN PERMISSION OF SCRRRA. ALL RIGHTS RESERVED.

METROLINK
 SOUTHERN CALIFORNIA REGIONAL RAIL AUTHORITY
 900 WILSHIRE BLVD., SUITE 1500, L. A., CA. 90017

ENGINEERING STANDARDS

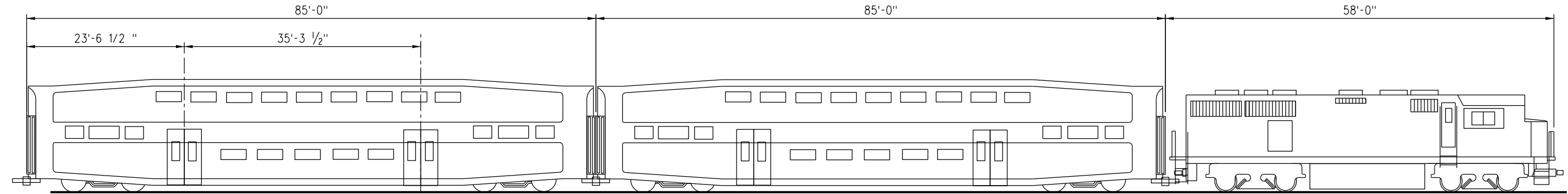
METROLINK STATION STANDARDS
CENTER PLATFORMS

STANDARD	3003
SCALE:	1" = 30'
REVISION SHEET	D 1 OF 1
CADD FILE:	ES3003

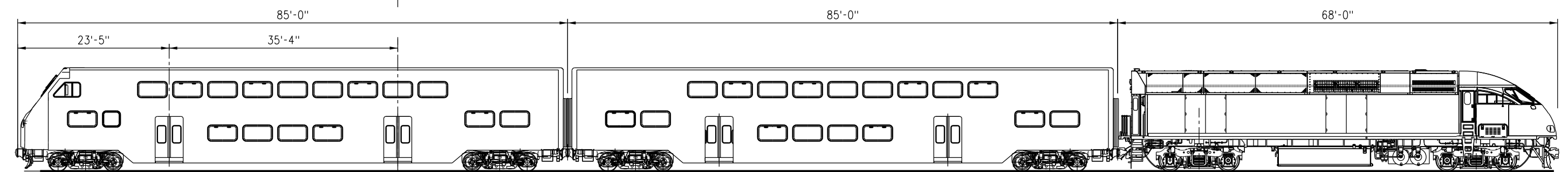


NOTES:

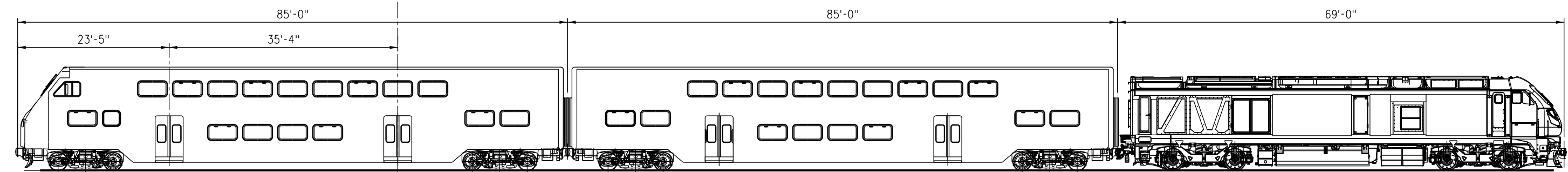
1. FOR ADDITIONAL PLATFORM INFORMATION SEE SCRRRA STANDARD DRAWINGS ES3002 AND ES3003.
2. DIRECTIONAL BAR TILE PLACEMENT SHALL GENERALLY ALIGN WITH ROLLING STOCK DOORS.



GM F59PH LOCOMOTIVE & BOMBARDIER CAR



MP36PH LOCOMOTIVE & ROTEM CARS



F125 LOCOMOTIVE & ROTEM CARS

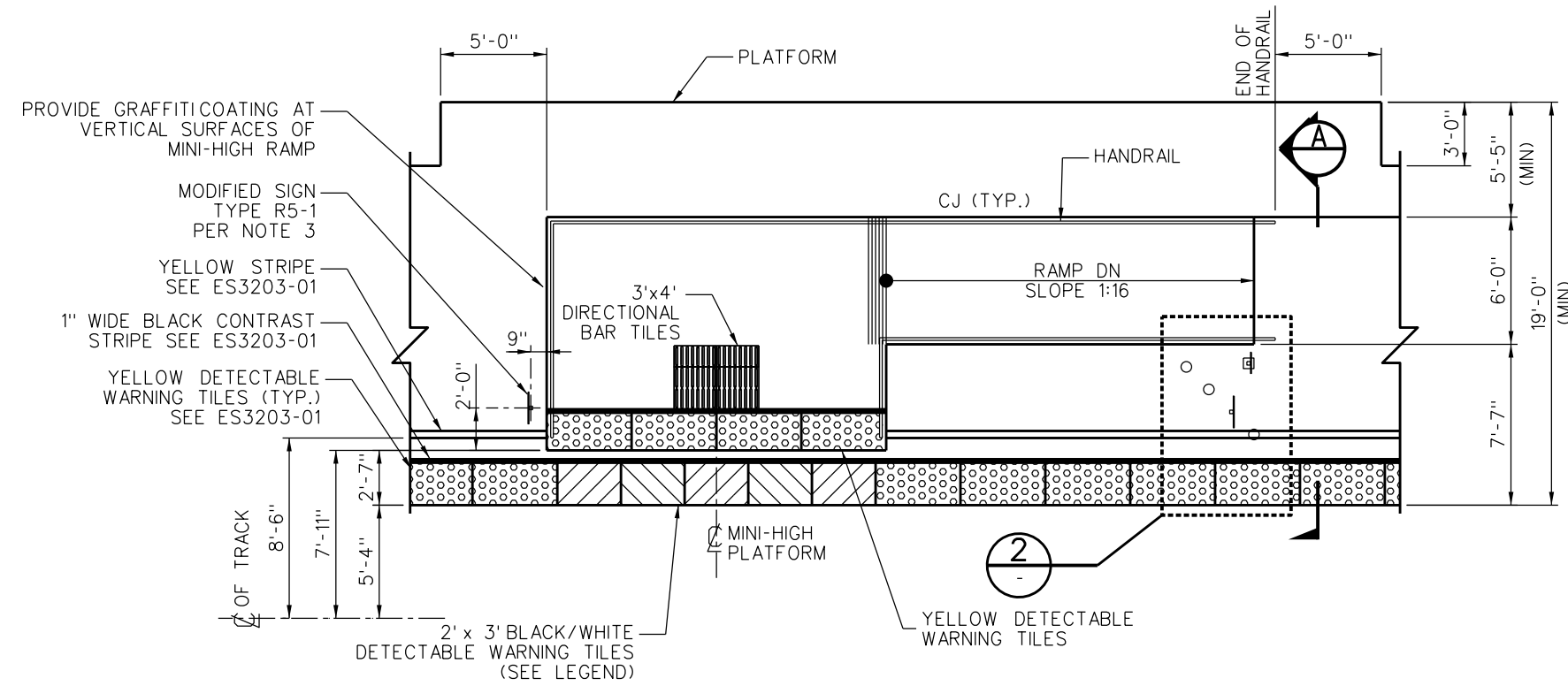
REV.	DATE	DESCRIPTION	DES.	ENG.
B	05/19/20	ADDED F125 LOCOMOTIVE, DIRECTIONAL TILES AND NOTE 3	AC	JMM
A	01/09/13	REVISED PARTIAL PLAN AT PLATFORM	AC	NDP

DRAWN BY: A. CARLOS DATE: 05/05/09
 SCRRRA ENGINEERING STANDARDS ARE INTENDED FOR SCRRRA APPROVED USES ONLY. FOR NON-SCRRRA APPROVED USES, SCRRRA SHALL NOT BE RESPONSIBLE FOR THE ACCURACY OR COMPLETENESS OF THE DATA OR INFORMATION CONTAINED HEREIN. THE SELECTION AND USE OF THESE STANDARDS IS THE SOLE RESPONSIBILITY OF THE USER AND SHOULD NOT BE USED WITHOUT CONSULTING A REGISTERED PROFESSIONAL ENGINEER. ALL WARRANTIES AND REPRESENTATIONS OF ANY KIND ARE DISCLAIMED. ANYONE MAKING USE OF THIS INFORMATION AGREES THAT IT ASSUMES ALL LIABILITY ARISING FROM SUCH USE. NO PART OF THESE STANDARDS SHOULD BE REPRODUCED OR DISTRIBUTED IN ANY FORM OR BY ANY MEANS WITHOUT THE PRIOR WRITTEN PERMISSION OF SCRRRA. ALL RIGHTS RESERVED.

METROLINK
 SOUTHERN CALIFORNIA REGIONAL RAIL AUTHORITY
 900 WILSHIRE BLVD., SUITE 1500, L. A., CA. 90017

ENGINEERING STANDARDS
 LOCOMOTIVE AND CAR ELEVATIONS

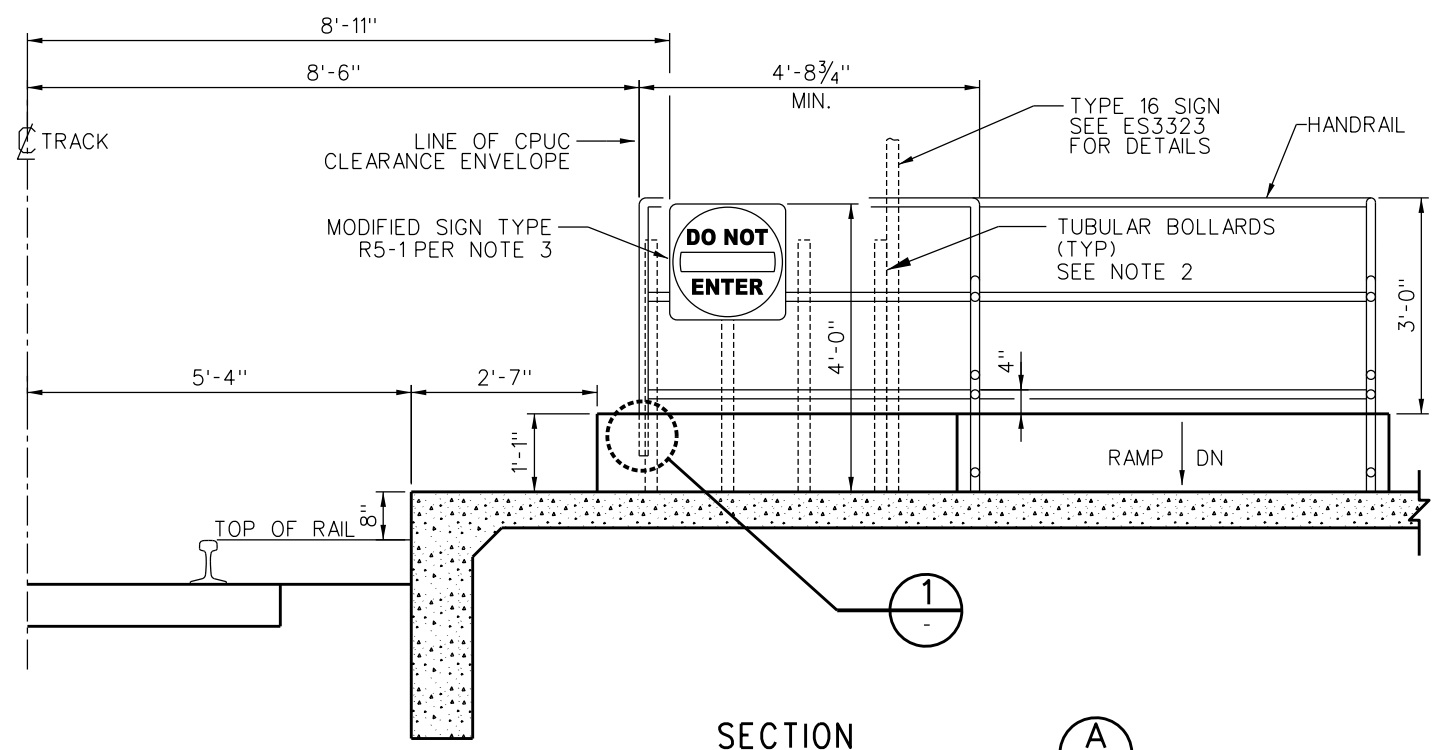
STANDARD	3004
SCALE:	1/8" = 1'-0"
REVISION SHEET	B 1 OF 1
CADD FILE:	ES3004



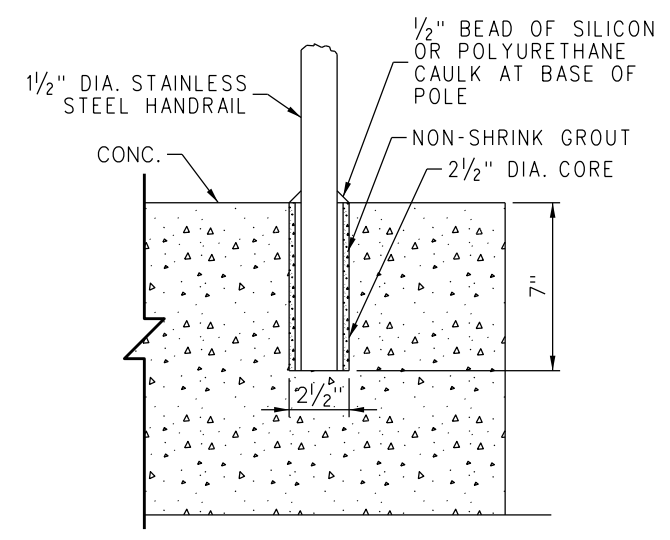
MINI-HIGH PLATFORM PLAN
SCALE: 1/4" = 1'-0"

- NOTES:**
1. MINI-HIGH PLATFORM DESIGN, MATERIAL, FABRICATION AND INSTALLATION SHALL BE PER SCRRRA SPECIFICATIONS.
 2. TUBULAR BOLLARDS SHALL BE 3" DIAMETER "TUFF POST" WITH BLACK CAP BY IMPACT RECOVERY SYSTEMS OR EQUAL WITH FIXED BASE AND YELLOW IN COLOR WITH TWO ORANGE REFLECTIVE BANDS 42" HIGH.
 3. THE MODIFIED TYPE R5-1, "DO NOT ENTER" 18" x 18" SIGN SHALL BE INSTALLED ON POST PER ES5210 WITH THE TOP OF SIGN 4'-0" FROM PLATFORM LEVEL.
 4. MINI-HIGH SHALL COMPLY WITH THE LATEST ADA REGULATIONS.

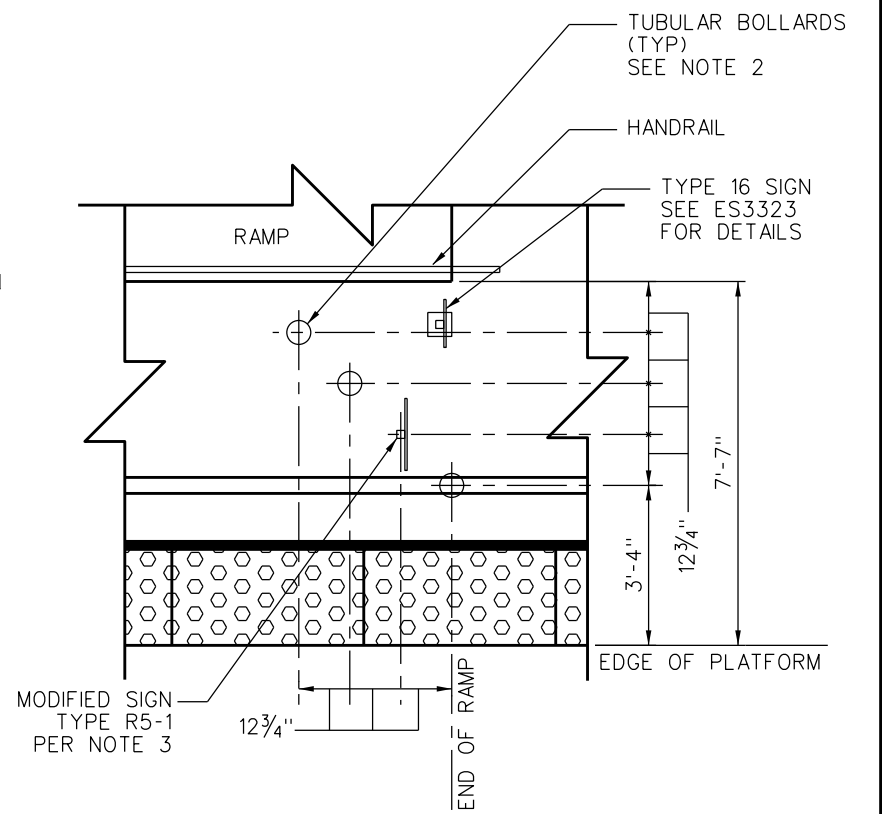
- LEGEND:**
- BLACK DETECTABLE WARNING TILE
 - WHITE DETECTABLE WARNING TILE
 - DIRECTIONAL BAR TILE



SECTION A
SCALE: 3/4" = 1'-0"



DETAIL 1
SCALE: 3" = 1'-0"



DETAIL 2
SCALE: 1/2" = 1'-0"

REV.	DATE	DESCRIPTION	DES.	ENG.
D	05-22-20	ADD DIRECTIONAL BARS, MIRROR BOLLARDS, ADD DETAIL 2	AC	JMM
C	10-07-16	REVISED NOTES, "TILES" TO "PANELS"	AC	NDP
B	08-05-13	REVISED NOTES ON PLATFORM PLAN	AC	NDP
A	09-10-12	REVISED PLAN ADDED SECTION A	AC	NDP

DRAWN BY: A. CARLOS DATE: 04/01/03

SCRRRA ENGINEERING STANDARDS ARE INTENDED FOR SCRRRA APPROVED USES ONLY. FOR NON-SCRRRA APPROVED USES, SCRRRA SHALL NOT BE RESPONSIBLE FOR THE ACCURACY OR COMPLETENESS OF THE DATA OR INFORMATION CONTAINED HEREIN. THE SELECTION AND USE OF THESE STANDARDS IS THE SOLE RESPONSIBILITY OF THE USER AND SHOULD NOT BE USED WITHOUT CONSULTING A REGISTERED PROFESSIONAL ENGINEER. ALL WARRANTIES AND REPRESENTATIONS OF ANY KIND ARE DISCLAIMED. ANYONE MAKING USE OF THIS INFORMATION AGREES THAT IT ASSUMES ALL LIABILITY ARISING FROM SUCH USE. NO PART OF THESE STANDARDS SHOULD BE REPRODUCED OR DISTRIBUTED IN ANY FORM OR BY ANY MEANS WITHOUT THE PRIOR WRITTEN PERMISSION OF SCRRRA. ALL RIGHTS RESERVED.

PRINCIPAL ENGINEER, DESIGN & STANDARDS

ASSISTANT DIRECTOR, DESIGN

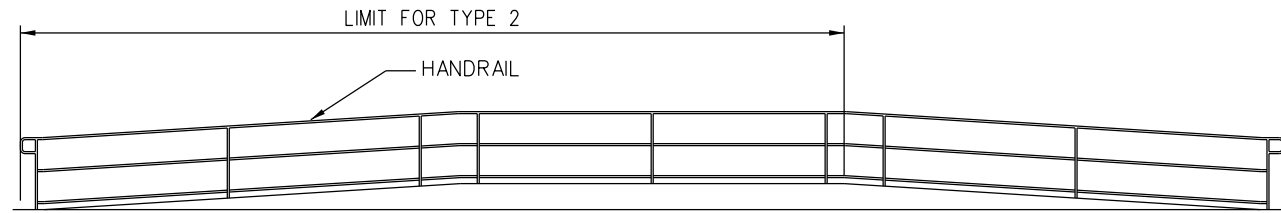
METROLINK

SOUTHERN CALIFORNIA REGIONAL RAIL AUTHORITY
900 WILSHIRE BLVD., SUITE 1500, L. A., CA. 90017

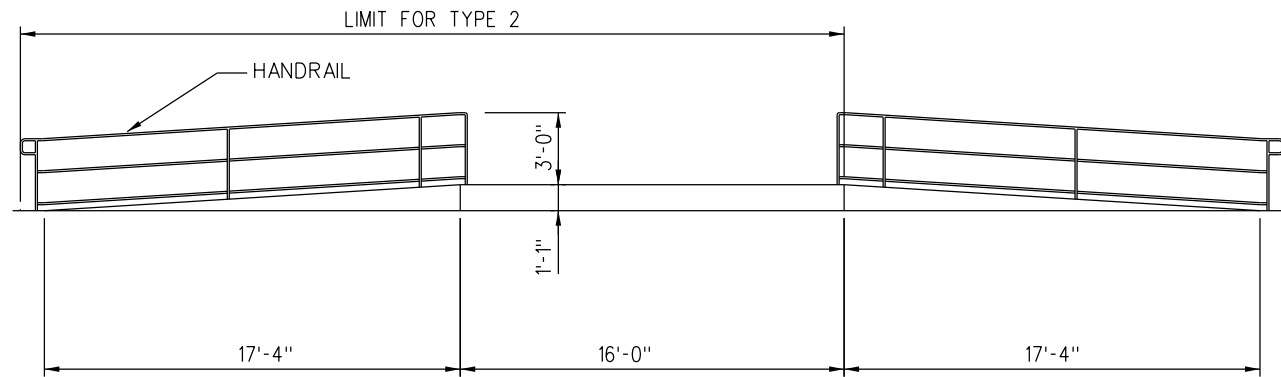
ENGINEERING STANDARDS		STANDARD
MINI - HIGH PLATFORM DETAILS		3101
SCALE: AS NOTED		REVISION SHEET
D 1 OF 2		CADD FILE: ES3101-01

NOTE:

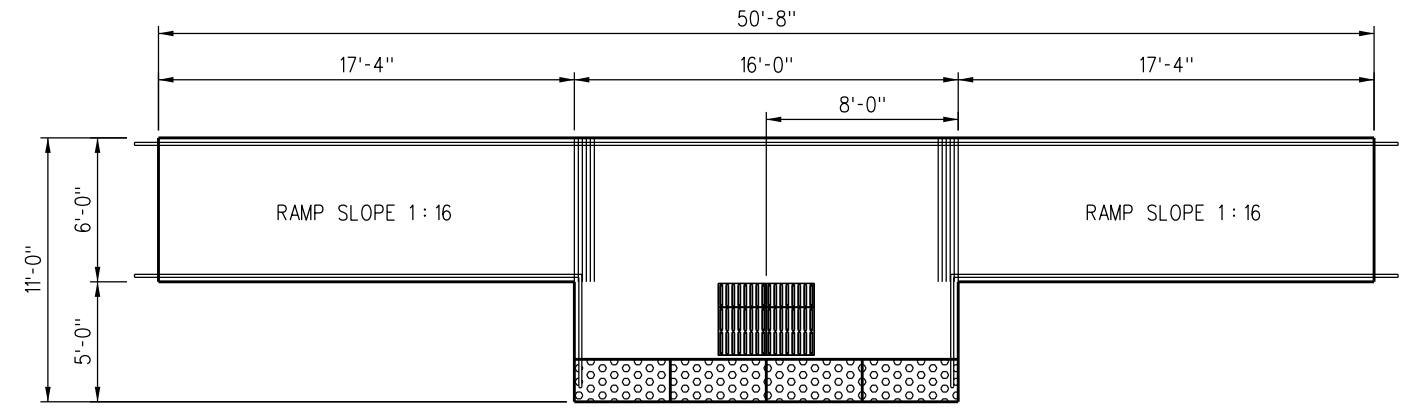
RAMP LENGTH WILL VARY DEPENDANT ON LONGITUDINAL SLOPE OF PLATFORM. RAMP LENGTH OF 17'-4" SHOWN IS BASED ON LONGITUDINAL PLATFORM SLOPE OF 0%.



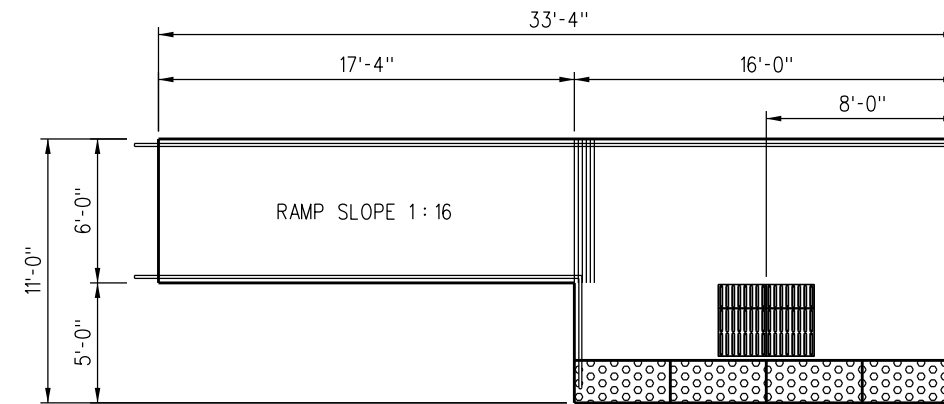
TYPE 1 - REAR VIEW
TYPE 2 - REAR VIEW



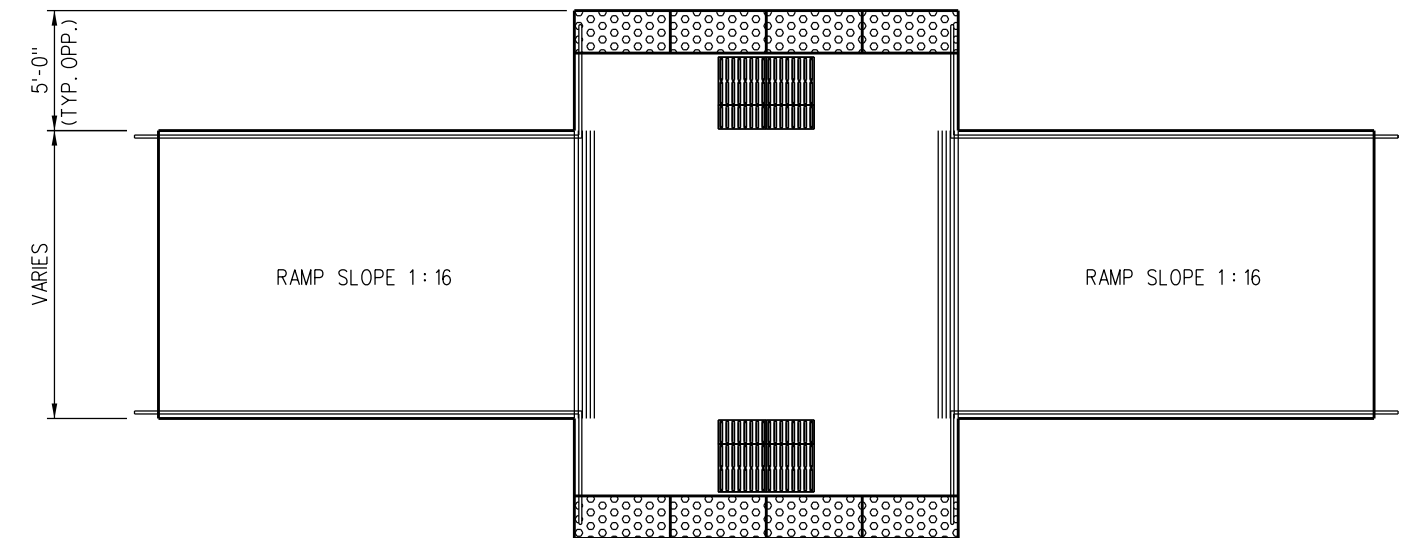
TYPE 1 - FRONT VIEW
TYPE 2 - FRONT VIEW
TYPE 3 - FRONT/REAR VIEW



TYPE 1
SIDE PLATFORM (DOUBLE RAMP)



TYPE 2
SIDE PLATFORM (SINGLE RAMP)
(TYP. OPP.)



TYPE 3
CENTER PLATFORM
MINI-HIGH PLATFORM SCHEDULES

REV.	DATE	DESCRIPTION	DES.	ENG.
B	05-22-20	ADD DIRECTIONAL BARS AND NOTE	AC	JMM
A	06-29-12	REMOVE SECTIONS AND ADDED PLANS & ELEVATIONS	AC	NDP

DRAWN BY:	A. CARLOS	DATE:	04/16/01
 PRINCIPAL ENGINEER, DESIGN & STANDARDS			
 ASSISTANT DIRECTOR, DESIGN			

SCRR ENGINEERING STANDARDS ARE INTENDED FOR SCRR APPROVED USES ONLY. FOR NON-SCRR APPROVED USES, SCRR SHALL NOT BE RESPONSIBLE FOR THE ACCURACY OR COMPLETENESS OF THE DATA OR INFORMATION CONTAINED HEREIN. THE SELECTION AND USE OF THESE STANDARDS IS THE SOLE RESPONSIBILITY OF THE USER AND SHOULD NOT BE USED WITHOUT CONSULTING A REGISTERED PROFESSIONAL ENGINEER. ALL WARRANTIES AND REPRESENTATIONS OF ANY KIND ARE DISCLAIMED. ANYONE MAKING USE OF THIS INFORMATION AGREES THAT IT ASSUMES ALL LIABILITY ARISING FROM SUCH USE. NO PART OF THESE STANDARDS SHOULD BE REPRODUCED OR DISTRIBUTED IN ANY FORM OR BY ANY MEANS WITHOUT THE PRIOR WRITTEN PERMISSION OF SCRR. ALL RIGHTS RESERVED.

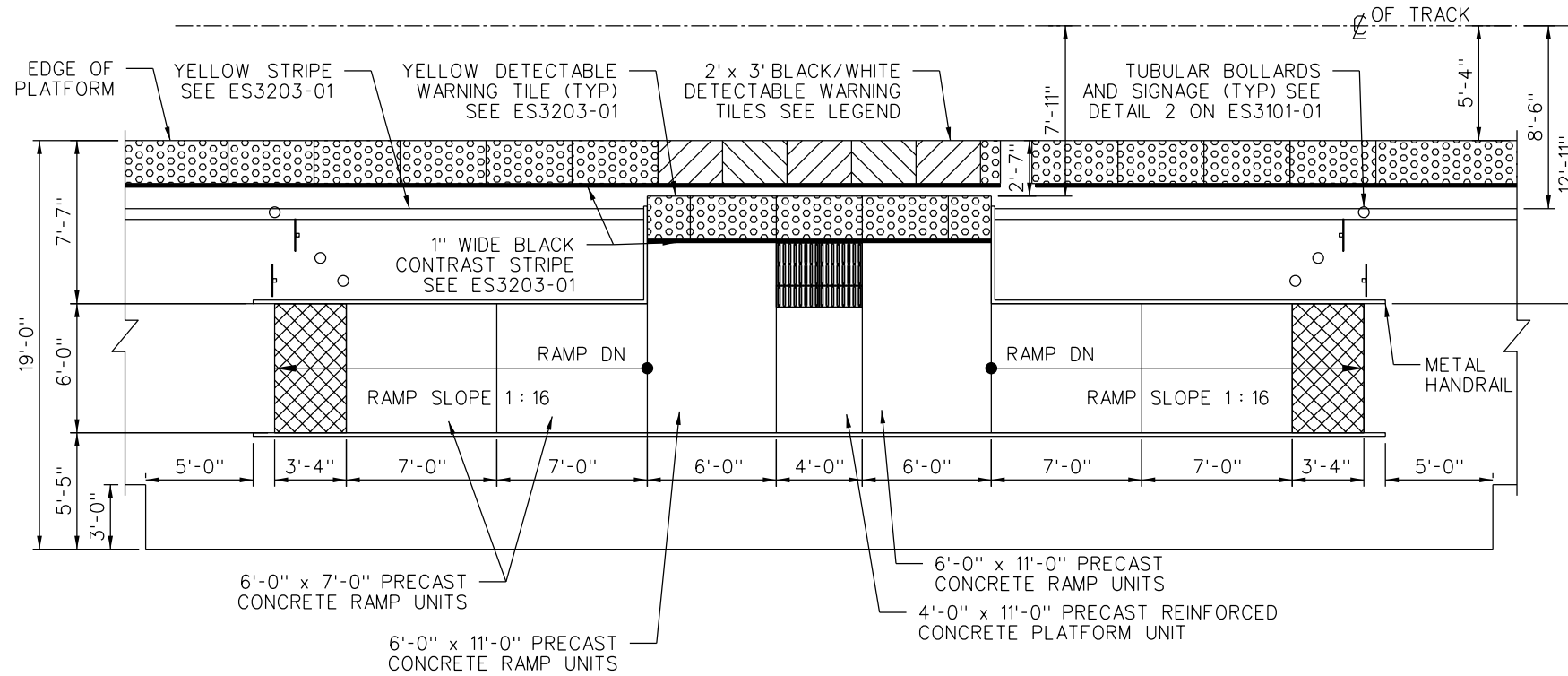
METROLINK
SOUTHERN CALIFORNIA REGIONAL RAIL AUTHORITY
900 WILSHIRE BLVD., SUITE 1500, L. A., CA. 90017

ENGINEERING STANDARDS	
MINI - HIGH PLATFORM DETAILS	

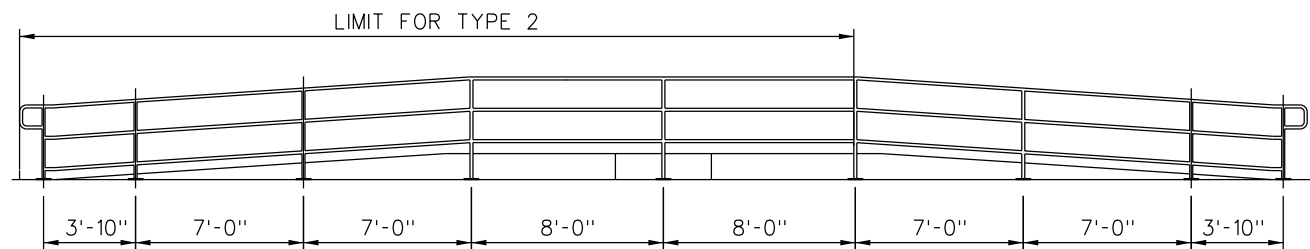
STANDARD	3101
SCALE:	NTS
REVISION SHEET	B 2 OF 2
CADD FILE:	ES3101-02

NOTES:

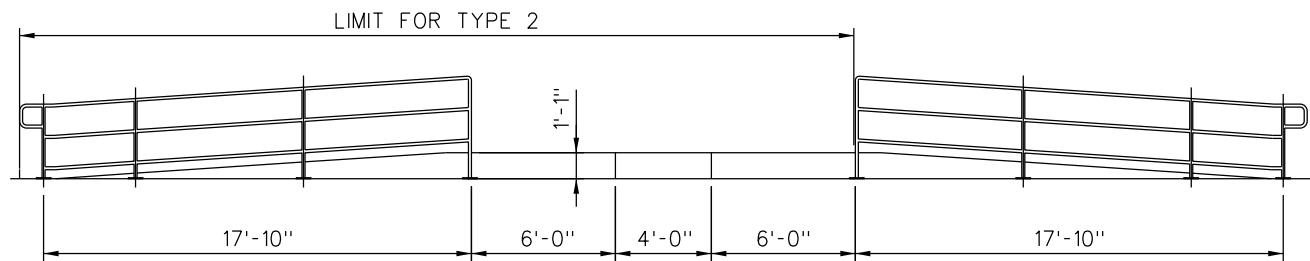
1. PRECAST MINI-HIGH PLATFORM DESIGN, MATERIAL, FABRICATION AND INSTALLATION SHALL BE AS PER SCRRRA SPECIFICATIONS.
2. RAMP LENGTH WILL VARY DEPENDANT ON LONGITUDINAL SLOPE OF PLATFORM. RAMP LENGTH OF 17'-4" SHOWN IS BASED ON LONGITUDINAL PLATFORM SLOPE OF 0%.
3. MINI-HIGH SHALL COMPLY WITH THE LATEST ADA REGULATIONS.



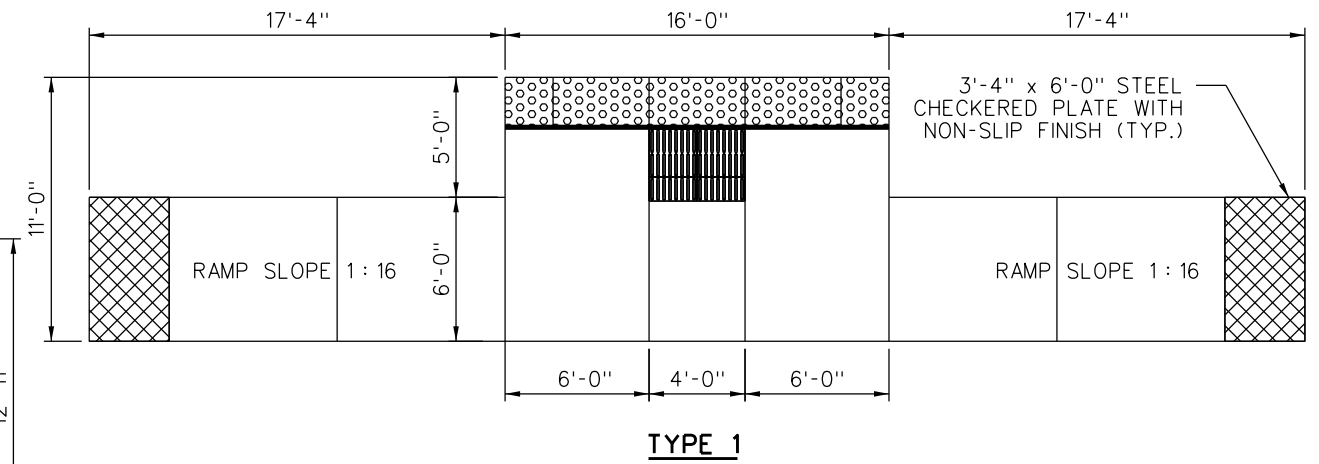
PRECAST MINI-HIGH PLATFORM PLAN



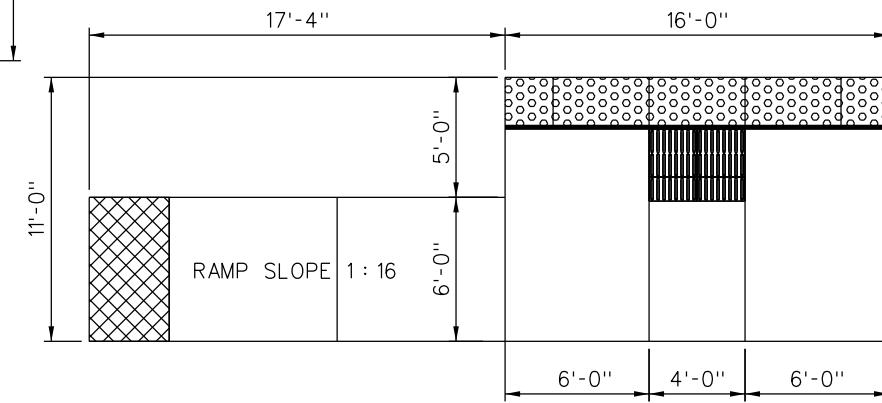
**TYPE 1 - REAR VIEW
TYPE 2 - REAR VIEW**



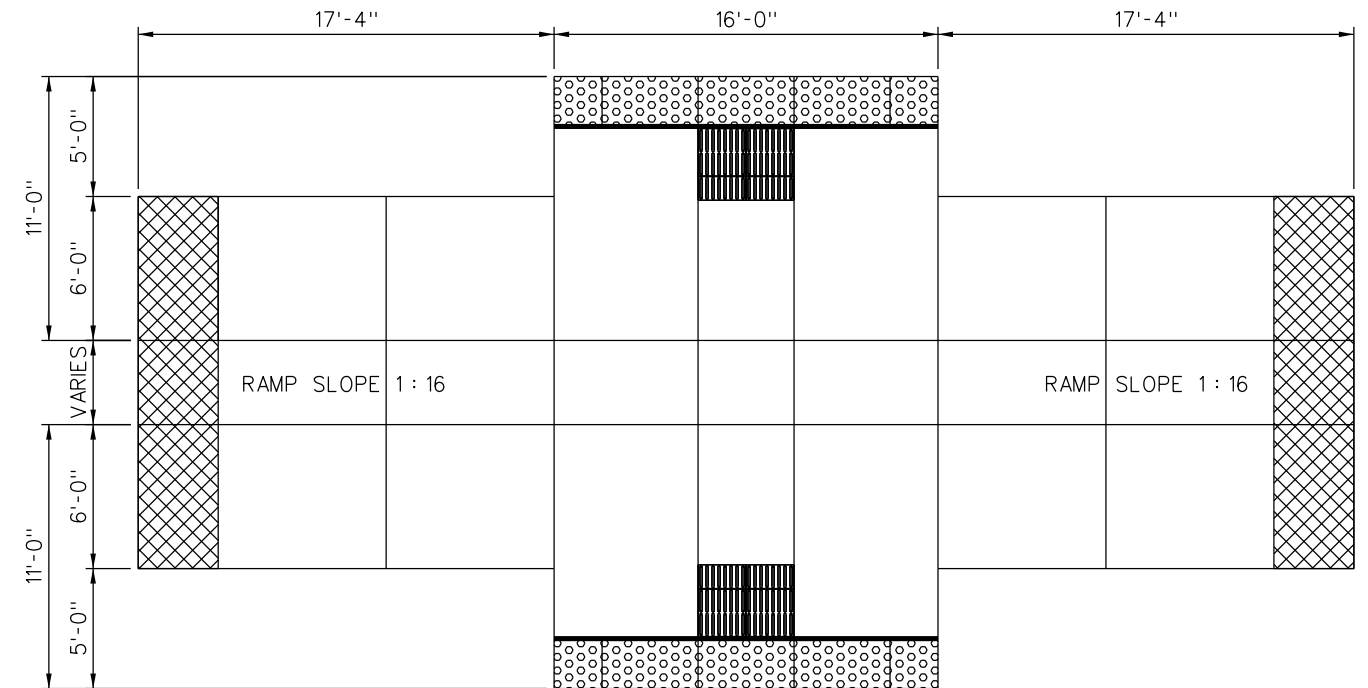
**TYPE 1 - FRONT VIEW
TYPE 2 - FRONT VIEW
TYPE 3 - FRONT/REAR VIEW**



TYPE 1



TYPE 2



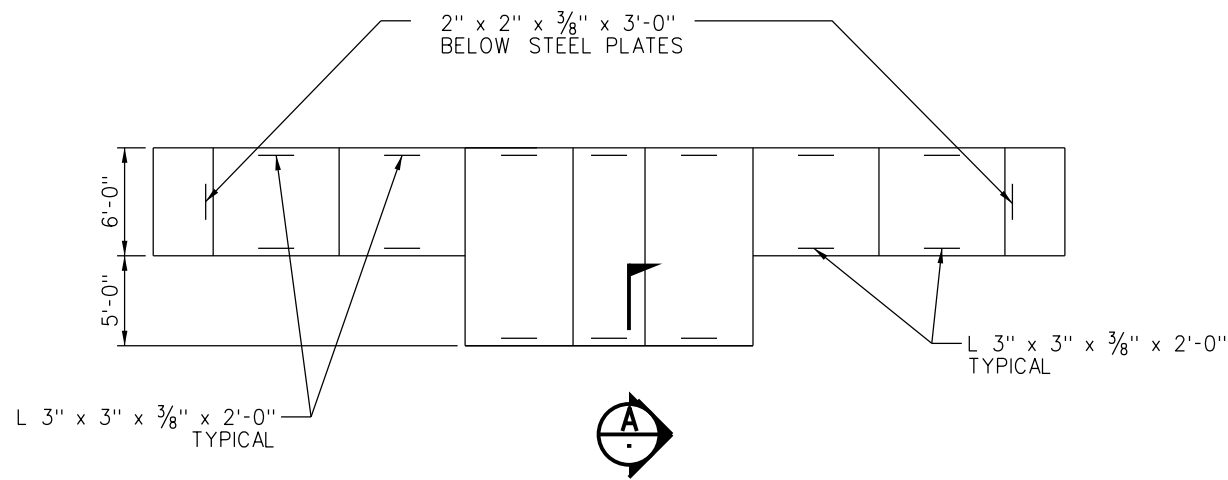
**TYPE 3
MINI-HIGH PLATFORM SCHEDULES**

REV.	DATE	DESCRIPTION	DES.	ENG.
D	05-22-20	ADD DIRECTIONAL BARS, SAFETY SIGN POINTS, RENUMBER DGN	AC	JMM
C	10-07-16	REVISED NOTE, "TILE" TO "PANEL"	AC	NDP
B	08-05-13	REVISED CONTRAST STRIPE	AC	NDP
A	06-29-12	REVISE DRAWING SCALE, MINI-HIGH PLATFORM HEIGHT	AC	NDP

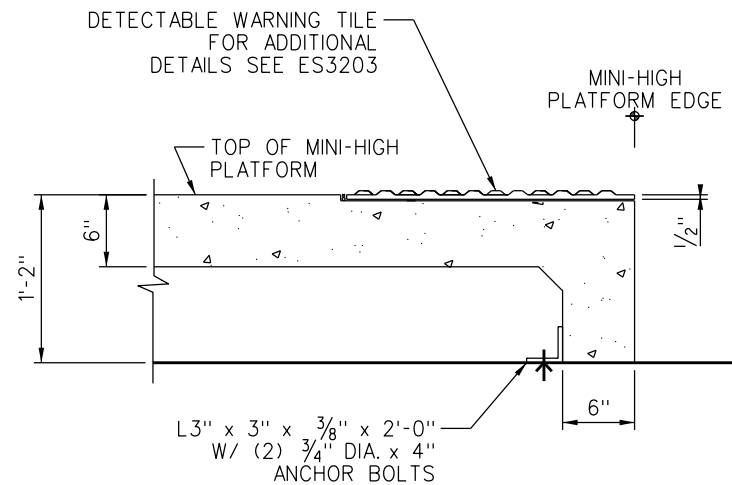
DRAWN BY: A. CARLOS DATE: 04/01/03
 SCRRRA ENGINEERING STANDARDS ARE INTENDED FOR SCRRRA APPROVED USES ONLY.
 FOR NON-SCRRRA APPROVED USES:
 SCRRRA SHALL NOT BE RESPONSIBLE FOR THE ACCURACY OR COMPLETENESS OF THE DATA OR INFORMATION CONTAINED HEREIN. THE SELECTION AND USE OF THESE STANDARDS IS THE SOLE RESPONSIBILITY OF THE USER AND SHOULD NOT BE USED WITHOUT CONSULTING A REGISTERED PROFESSIONAL ENGINEER. ALL WARRANTIES AND REPRESENTATIONS OF ANY KIND ARE DISCLAIMED. ANYONE MAKING USE OF THIS INFORMATION AGREES THAT IT ASSUMES ALL LIABILITY ARISING FROM SUCH USE. NO PART OF THESE STANDARDS SHOULD BE REPRODUCED OR DISTRIBUTED IN ANY FORM OR BY ANY MEANS WITHOUT THE PRIOR WRITTEN PERMISSION OF SCRRRA. ALL RIGHTS RESERVED.

METROLINK
 SOUTHERN CALIFORNIA REGIONAL RAIL AUTHORITY
 900 WILSHIRE BLVD., SUITE 1500, L. A., CA. 90017

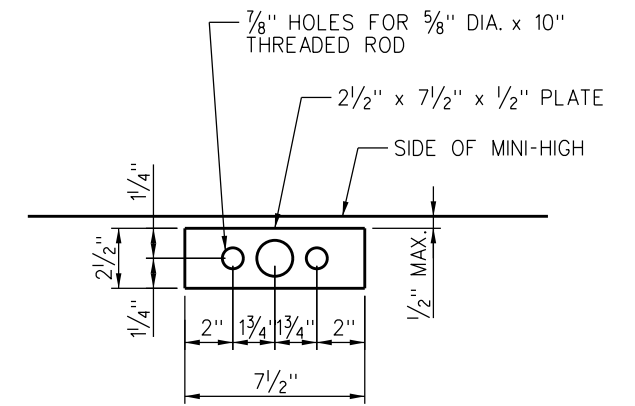
ENGINEERING STANDARDS	STANDARD 3102
PRECAST MINI - HIGH PLATFORM	SCALE: 1/4" = 1'-0"
	REVISION SHEET D 1 OF 2
	CADD FILE: ES3102-01



PRECAST RAMP ANCHOR ANGLE PLACEMENT

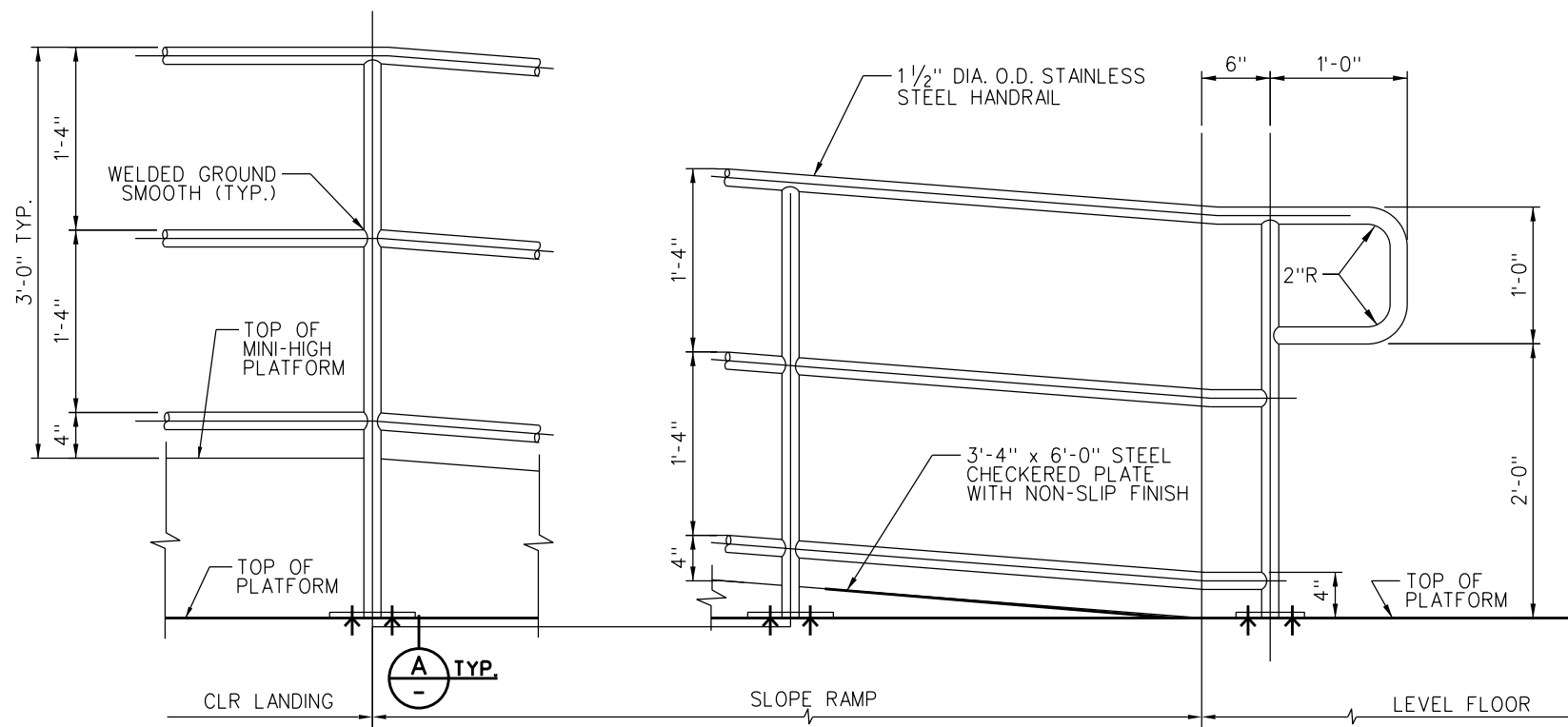


SECTION
SCALE: NTS

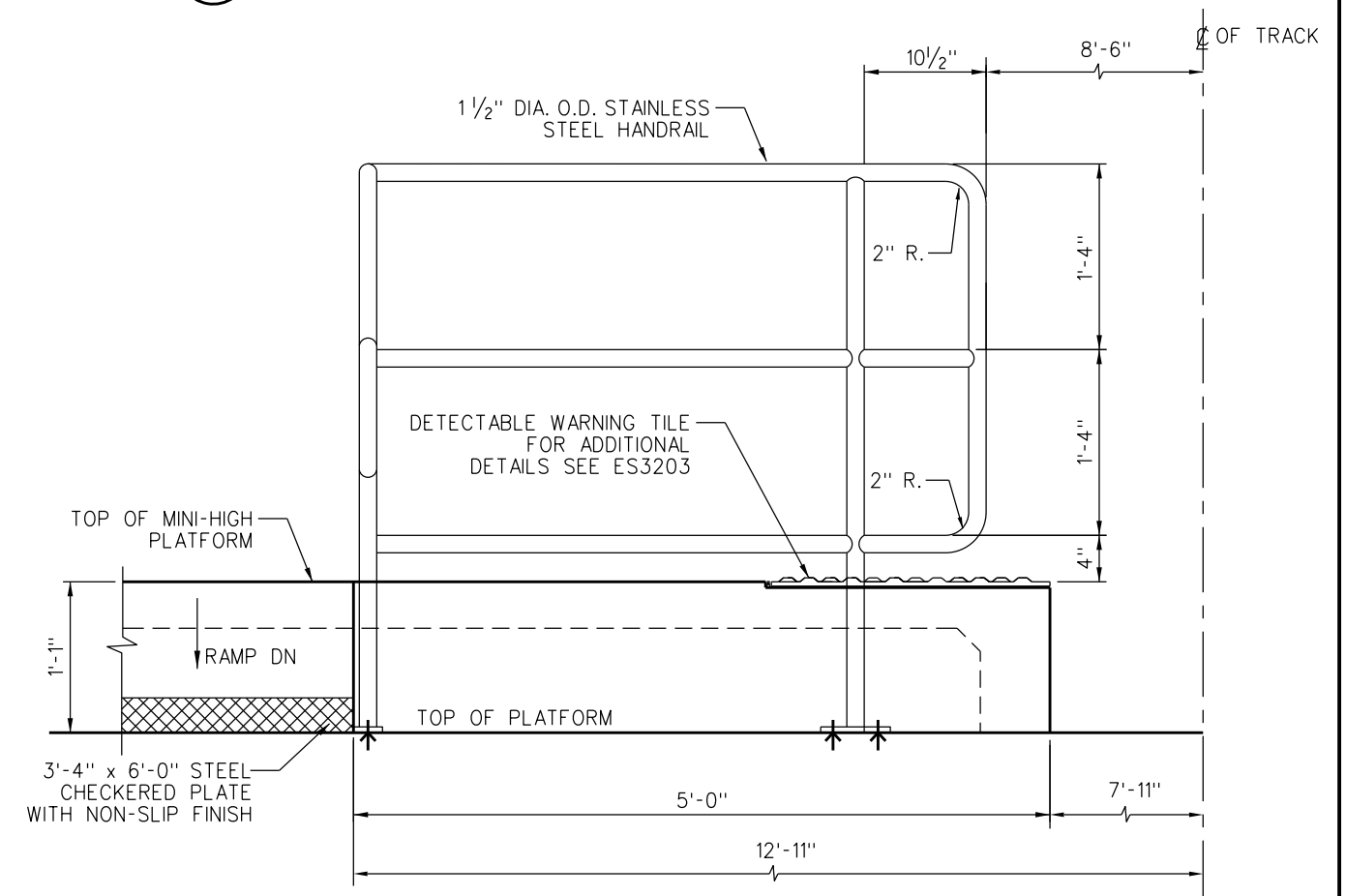


BASE PLATE FOR SINGLE POST

DETAIL
SCALE: NTS



TYPICAL HANDRAIL 1



TYPICAL HANDRAIL 2

REV.	DATE	DESCRIPTION	DES.	ENG.
D	05-22-20	REVISE NOTES, DETAILS, RENUMBER DGN	AC	JMM
C	10-07-16	REVISE NOTES	AC	NDP
B	08-05-13	REVISE DETAIL NOTES	AC	NDP
A	06-29-12	REVISE PRECAST PLAN & TYPICAL HANDRAIL 2	AC	NDP

DRAWN BY: A. CARLOS DATE: 02/21/07
 PRINCIPAL ENGINEER, DESIGN & STANDARDS
 ASSISTANT DIRECTOR, DESIGN

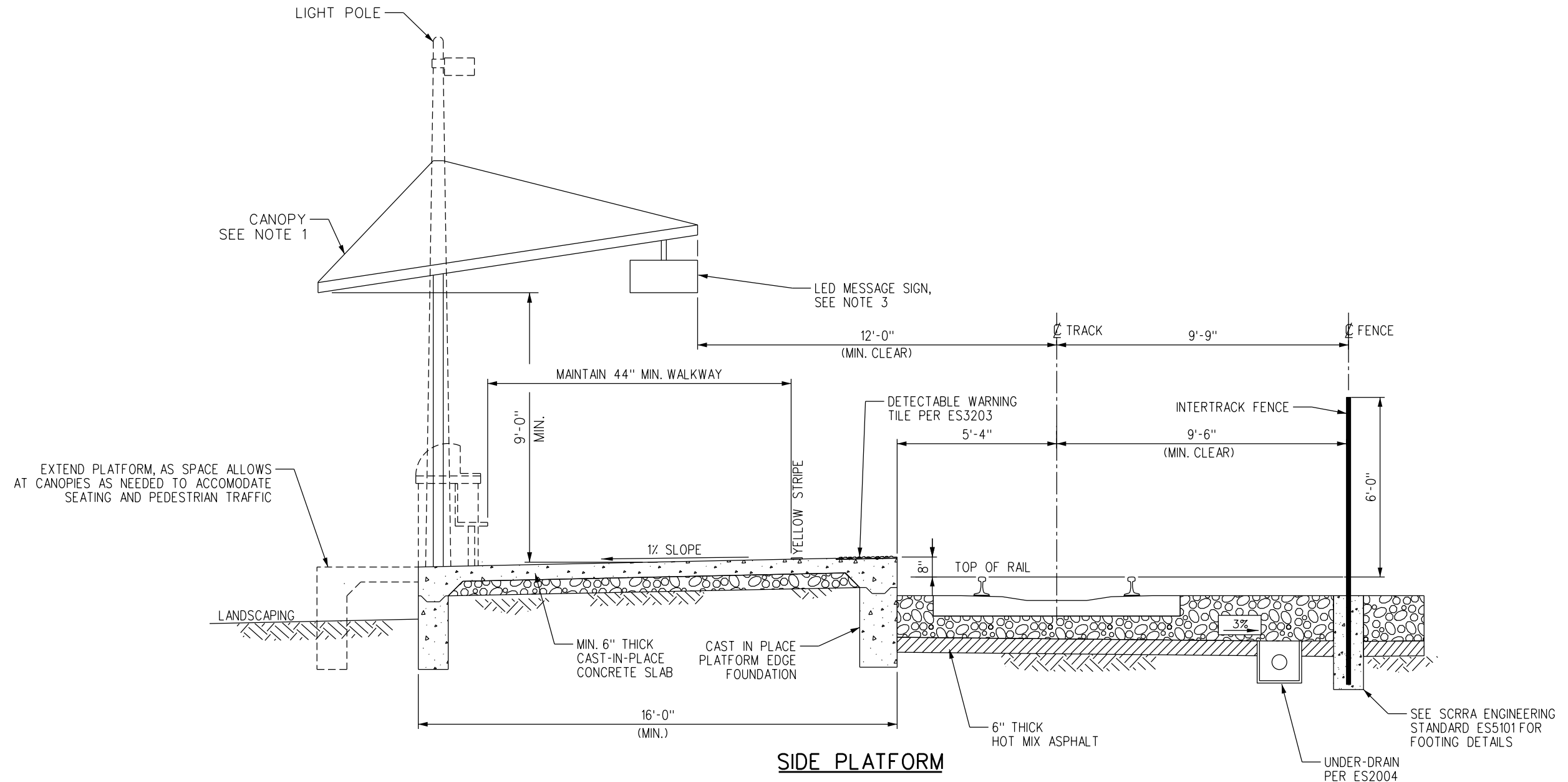
SCRR ENGINEERING STANDARDS ARE INTENDED FOR SCRR APPROVED USES ONLY. FOR NON-SCRR APPROVED USES, SCRR SHALL NOT BE RESPONSIBLE FOR THE ACCURACY OR COMPLETENESS OF THE DATA OR INFORMATION CONTAINED HEREIN. THE SELECTION AND USE OF THESE STANDARDS IS THE SOLE RESPONSIBILITY OF THE USER AND SHOULD NOT BE USED WITHOUT CONSULTING A REGISTERED PROFESSIONAL ENGINEER. ALL WARRANTIES AND REPRESENTATIONS OF ANY KIND ARE DISCLAIMED. ANYONE MAKING USE OF THIS INFORMATION AGREES THAT IT ASSUMES ALL LIABILITY ARISING FROM SUCH USE. NO PART OF THESE STANDARDS SHOULD BE REPRODUCED OR DISTRIBUTED IN ANY FORM OR BY ANY MEANS WITHOUT THE PRIOR WRITTEN PERMISSION OF SCRR. ALL RIGHTS RESERVED.

METROLINK
 SOUTHERN CALIFORNIA REGIONAL RAIL AUTHORITY
 900 WILSHIRE BLVD., SUITE 1500, L. A., CA. 90017

ENGINEERING STANDARDS		STANDARD	3102
PRECAST MINI - HIGH PLATFORM DETAILS		SCALE:	NONE
		REVISION SHEET	D 2 OF 2
		CADD FILE:	ES3102-02

NOTES:

1. LIGHT POLE AND CANOPY SHOWN AS REFERENCE ONLY. ACTUAL DESIGN TO BE DETERMINED BY THE ARCHITECT.
2. STATION FURNITURE (BENCHES, TRASH RECEPTACLES) SHALL BE PLACED AT THE BACK OF THE PLATFORM.
3. LED MESSAGE SIGN MOUNTED ON CANOPIES SHALL NOT BE WITHIN 12'-0" OF THE TRACK CENTERLINE.



REV.	DATE	DESCRIPTION	DES.	ENG.
B	05-22-20	REVISE DETAIL, ADD NOTE 3	AC	JMM
A	10-07-16	REVISED WARNING PANEL NOTE	AC	NDP

DRAWN BY: A. CARLOS DATE: 05/24/07

SCRRRA ENGINEERING STANDARDS ARE INTENDED FOR SCRRRA APPROVED USES ONLY. FOR NON-SCRRRA APPROVED USES, SCRRRA SHALL NOT BE RESPONSIBLE FOR THE ACCURACY OR COMPLETENESS OF THE DATA OR INFORMATION CONTAINED HEREIN. THE SELECTION AND USE OF THESE STANDARDS IS THE SOLE RESPONSIBILITY OF THE USER AND SHOULD NOT BE USED WITHOUT CONSULTING A REGISTERED PROFESSIONAL ENGINEER. ALL WARRANTIES AND REPRESENTATIONS OF ANY KIND ARE DISCLAIMED. ANYONE MAKING USE OF THIS INFORMATION AGREES THAT IT ASSUMES ALL LIABILITY ARISING FROM SUCH USE. NO PART OF THESE STANDARDS SHOULD BE REPRODUCED OR DISTRIBUTED IN ANY FORM OR BY ANY MEANS WITHOUT THE PRIOR WRITTEN PERMISSION OF SCRRRA. ALL RIGHTS RESERVED.

METROLINK
 SOUTHERN CALIFORNIA REGIONAL RAIL AUTHORITY
 900 WILSHIRE BLVD., SUITE 1500, L. A., CA. 90017

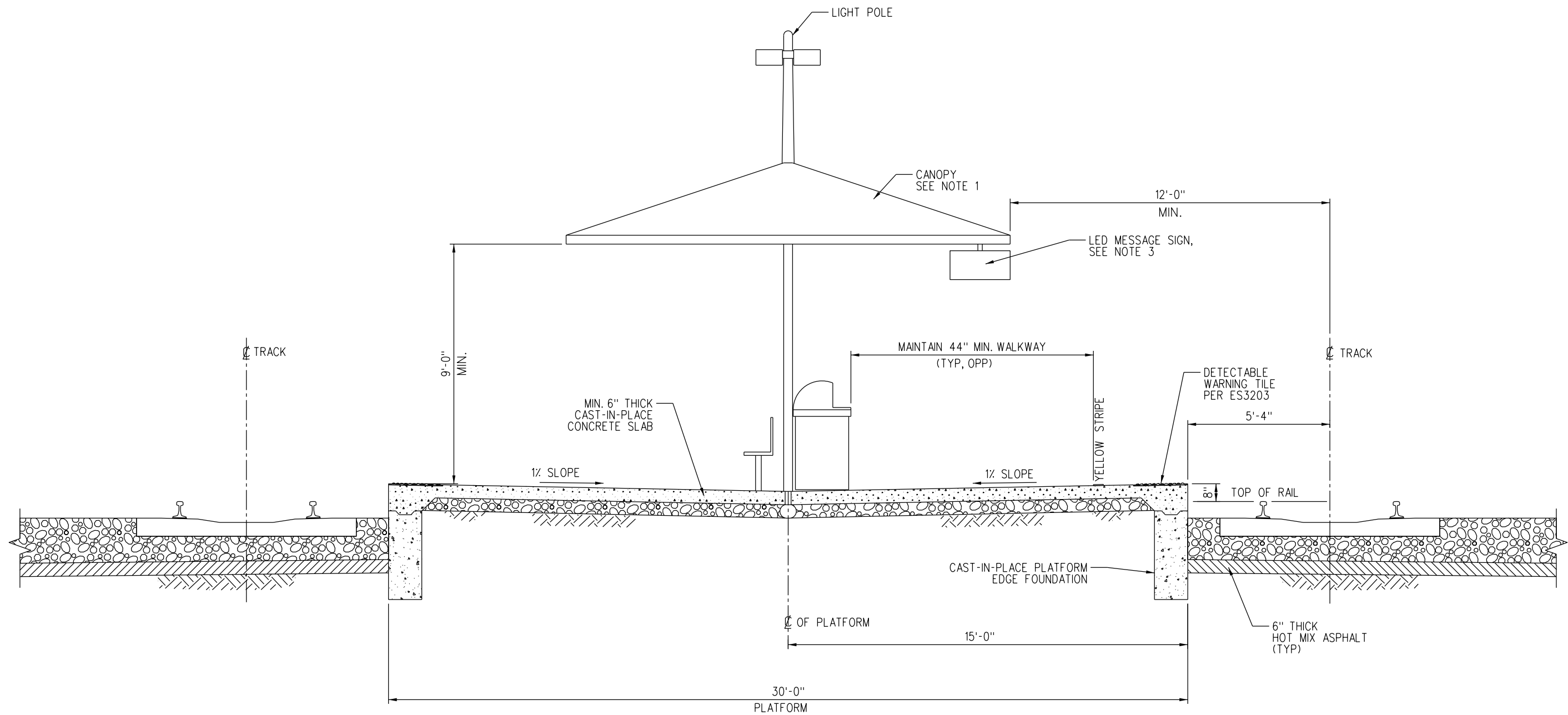
ENGINEERING STANDARDS

**SIDE PLATFORMS
 TYPICAL SECTIONS**

STANDARD	3201
SCALE:	NTS
REVISION SHEET	B 1 OF 1
CADD FILE:	ES3201

NOTES:

1. LIGHT POLE AND CANOPY SHOWN AS REFERENCED ONLY. ACTUAL DESIGN TO BE DETERMINED BY THE ARCHITECT.
2. STATION FURNITURE (BENCHES, TRASH RECEPTACLES) SHALL BE PLACED AT THE CENTER OF THE PLATFORM.
3. LED MESSAGE SIGN MOUNTED ON CANOPIES SHALL NOT BE WITHIN 12'-0" OF THE TRACK CENTERLINE.



CENTER PLATFORM

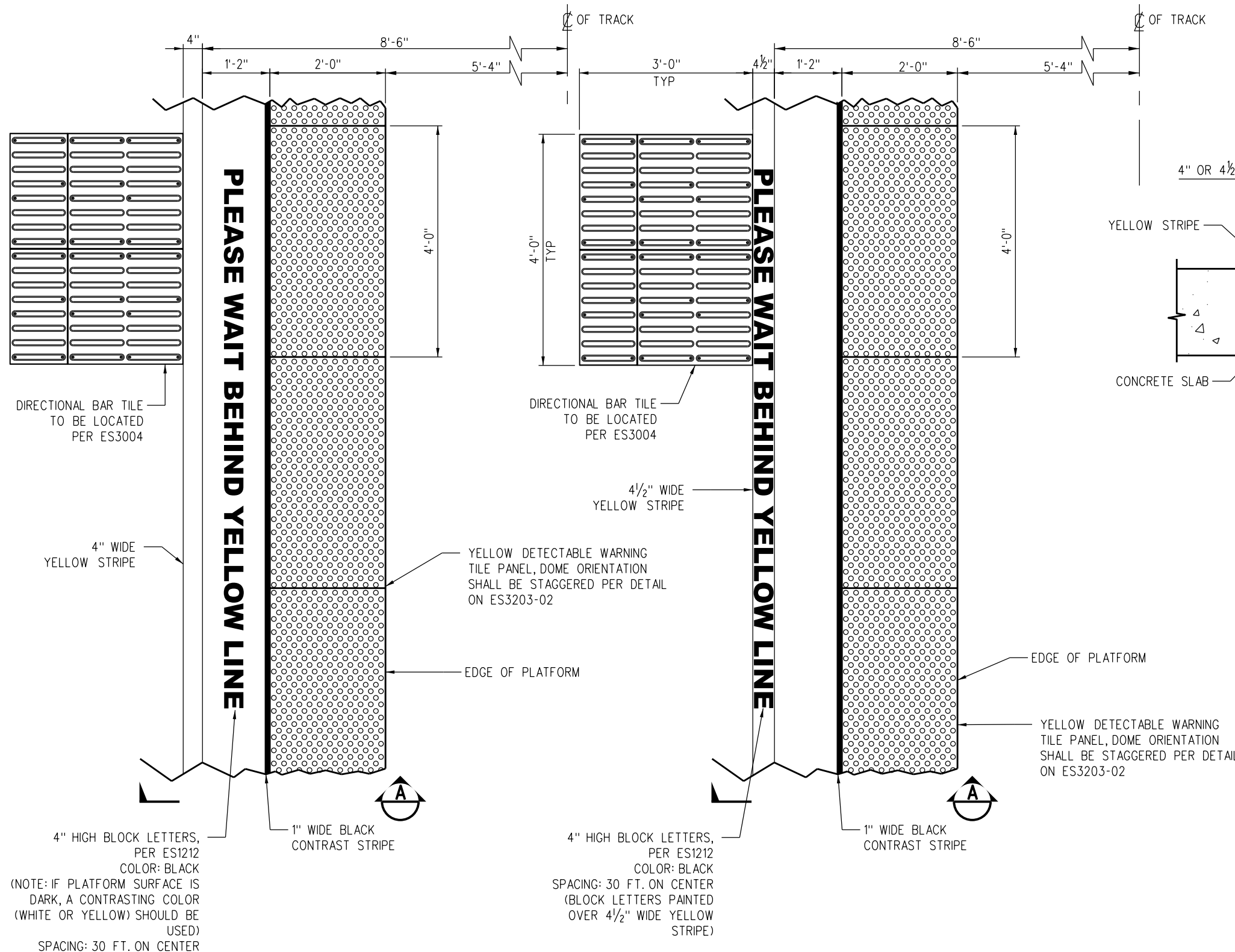
REV.	DATE	DESCRIPTION	DES.	ENG.
C	05-22-20	REVISED DETAIL, ADDED NOTE 3	AC	JMM
B	10-07-16	REVISED WARNING PANEL NOTE	AC	NDP
A	9-21-12	REVISED DETECTABLE WARNING REFERENCE NUMBER	AC	NDP

SCRR ENGINEERING STANDARDS ARE INTENDED FOR SCRR APPROVED USES ONLY. FOR NON-SCRR APPROVED USES, SCRR SHALL NOT BE RESPONSIBLE FOR THE ACCURACY OR COMPLETENESS OF THE DATA OR INFORMATION CONTAINED HEREIN. THE SELECTION AND USE OF THESE STANDARDS IS THE SOLE RESPONSIBILITY OF THE USER AND SHOULD NOT BE USED WITHOUT CONSULTING A REGISTERED PROFESSIONAL ENGINEER. ALL WARRANTIES AND REPRESENTATIONS OF ANY KIND ARE DISCLAIMED. ANYONE MAKING USE OF THIS INFORMATION AGREES THAT IT ASSUMES ALL LIABILITY ARISING FROM SUCH USE. NO PART OF THESE STANDARDS SHOULD BE REPRODUCED OR DISTRIBUTED IN ANY FORM OR BY ANY MEANS WITHOUT THE PRIOR WRITTEN PERMISSION OF SCRR. ALL RIGHTS RESERVED.

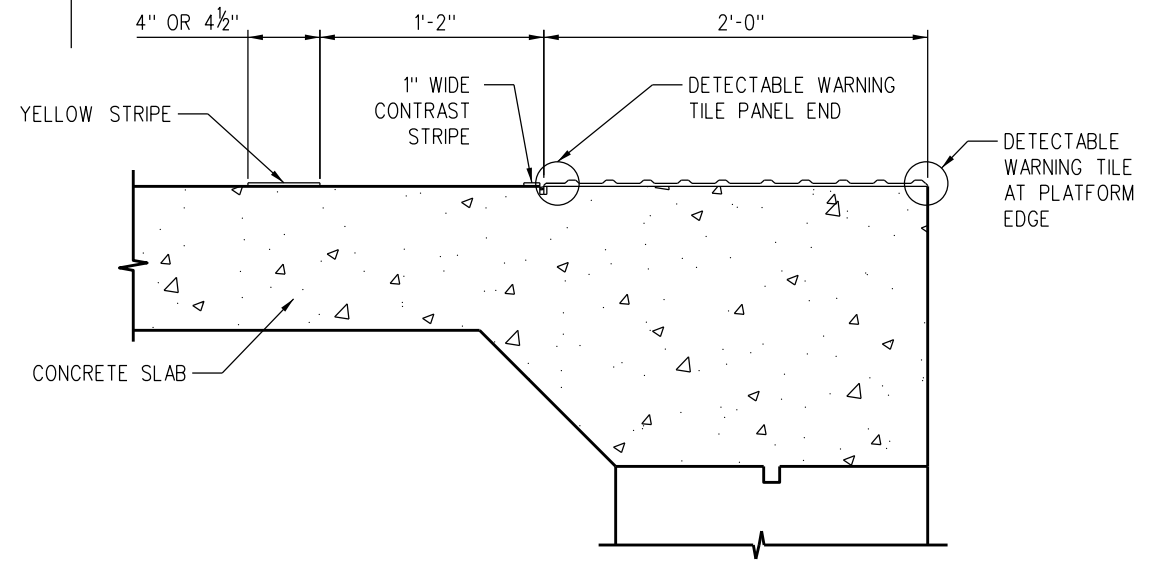
METROLINK
 SOUTHERN CALIFORNIA REGIONAL RAIL AUTHORITY
 900 WILSHIRE BLVD., SUITE 1500, L. A., CA. 90017

ENGINEERING STANDARDS
 CENTER PLATFORMS
 TYPICAL SECTIONS

STANDARD	3202
SCALE	NTS
REVISION SHEET	C 1 OF 1
CADD FILE	ES3202



NOTE:
SEE SCRRR STANDARD DRAWING ES3203-02 FOR ADDITIONAL INFORMATION AND DETAILS



SECTION A
SCALE: 1/2" = 1'-0"

STANDARD DETAIL

ALTERNATE DETAIL
FOR JOINT AMTRAK - METROLINK STATIONS WITH SCRRR APPROVAL

REV.	DATE	DESCRIPTION	DES.	ENG.
D	05-22-20	ADD DIRECTIONAL BARS, REVISE NOTES	AC	JMM
C	10-07-16	ADD ALTERNATE STRIPING, DETAILS MOVED TO SHEET 02	AC	NDP
B	07-24-13	ADD ALTERNATE STRIPING, DETAILS MOVED TO SHEET 02	AC	NDP
A	05-31-13	REVISED CONTRAST STRIPE	AC	NDP

DRAWN BY:	A. CARLOS	DATE:	04/16/01
 PRINCIPAL ENGINEER, DESIGN & STANDARDS			
 ASSISTANT DIRECTOR, DESIGN			

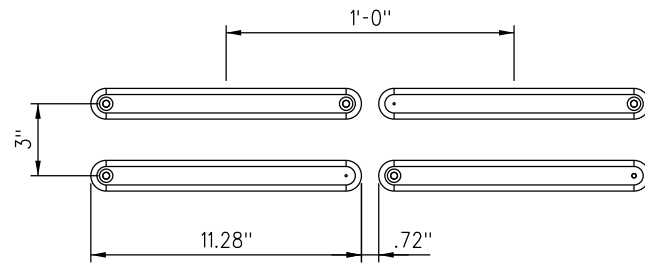
SCRRR ENGINEERING STANDARDS ARE INTENDED FOR SCRRR APPROVED USES ONLY. FOR NON-SCRRR APPROVED USES, SCRRR SHALL NOT BE RESPONSIBLE FOR THE ACCURACY OR COMPLETENESS OF THE DATA OR INFORMATION CONTAINED HEREIN. THE SELECTION AND USE OF THESE STANDARDS IS THE SOLE RESPONSIBILITY OF THE USER AND SHOULD NOT BE USED WITHOUT CONSULTING A REGISTERED PROFESSIONAL ENGINEER. ALL WARRANTIES AND REPRESENTATIONS OF ANY KIND ARE DISCLAIMED. ANYONE MAKING USE OF THIS INFORMATION AGREES THAT IT ASSUMES ALL LIABILITY ARISING FROM SUCH USE. NO PART OF THESE STANDARDS SHOULD BE REPRODUCED OR DISTRIBUTED IN ANY FORM OR BY ANY MEANS WITHOUT THE PRIOR WRITTEN PERMISSION OF SCRRR. ALL RIGHTS RESERVED.

METROLINK
SOUTHERN CALIFORNIA REGIONAL RAIL AUTHORITY
900 WILSHIRE BLVD., SUITE 1500, L. A., CA. 90017

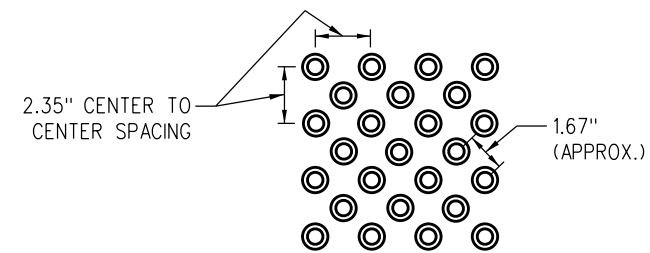
ENGINEERING STANDARDS

DETECTABLE WARNING TILE, DIRECTIONAL BAR TILE, AND MARKING DETAILS

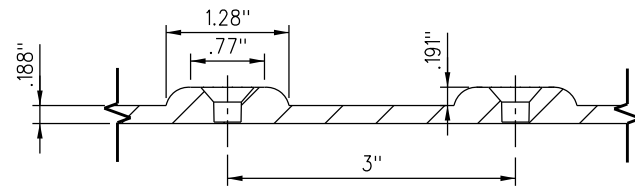
STANDARD	3203
SCALE:	1" = 1'-0"
REVISION SHEET	D 1 OF 2
CADD FILE:	ES3203-01



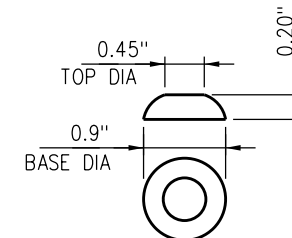
**DIRECTIONAL BAR
TILE PATTERN**
SCALE: 3" = 1'-0"
TO BE INSTALLED PER
MANUFACTURER'S RECOMMENDATION



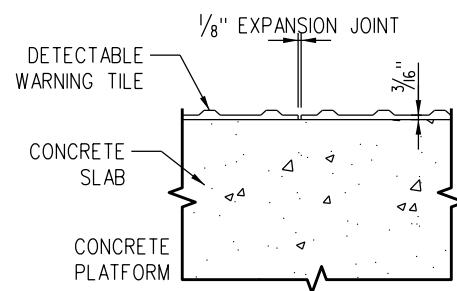
**RAISED, TRUNCATED DOMES
IN A STAGGERED PATTERN**
SCALE: NONE
NOTE: STAGGERED PATTERN COMPLIES
WITH FTA ADA CIRCULAR C4710.0 - 3.2.5 C



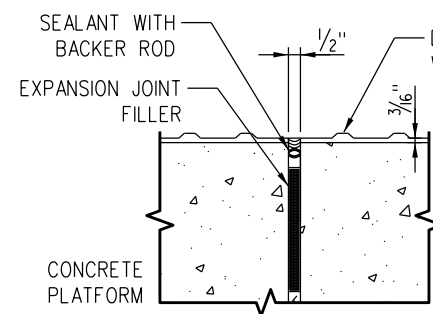
**DIRECTIONAL BAR
TILE ELEVATION**
SCALE: FULL



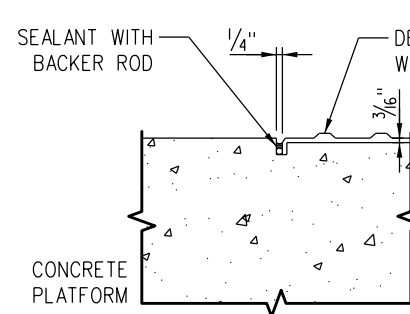
**RAISED
TRUNCATED DOME**
SCALE: NONE



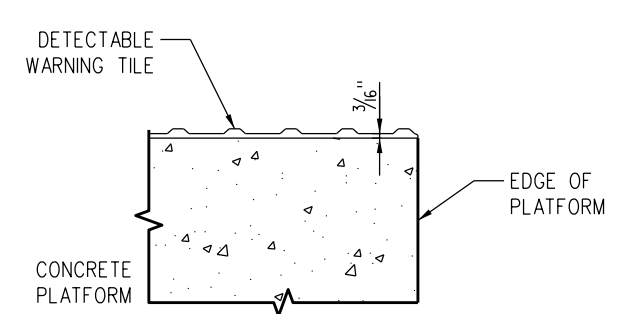
**DETECTABLE WARNING
TILE JOINTS**
SCALE: 3" = 1'-0"



**DETECTABLE WARNING TILE
AT EXPANSION JOINTS**
SCALE: 3" = 1'-0"



**DETECTABLE WARNING
TILE END**
SCALE: 3" = 1'-0"



**DETECTABLE WARNING TILE
AT PLATFORM EDGE**
SCALE: 3" = 1'-0"

REV.	DATE	DESCRIPTION	DES.	ENG.
B	05-22-20	REVISED DETAILS AND DRAWING TITLE	AC	JMM
A	10-07-16	REVISED DETAIL LABELS	AC	NDP

DRAWN BY:	A. CARLOS	DATE:	07/24/13
 PRINCIPAL ENGINEER, DESIGN & STANDARDS			
 ASSISTANT DIRECTOR, DESIGN			

SCRR ENGINEERING STANDARDS ARE INTENDED FOR SCRR APPROVED USES ONLY.
FOR NON-SCRR APPROVED USES:
SCRR SHALL NOT BE RESPONSIBLE FOR THE ACCURACY OR COMPLETENESS OF THE DATA OR INFORMATION CONTAINED HEREIN. THE SELECTION AND USE OF THESE STANDARDS IS THE SOLE RESPONSIBILITY OF THE USER AND SHOULD NOT BE USED WITHOUT CONSULTING A REGISTERED PROFESSIONAL ENGINEER. ALL WARRANTIES AND REPRESENTATIONS OF ANY KIND ARE DISCLAIMED. ANYONE MAKING USE OF THIS INFORMATION AGREES THAT IT ASSUMES ALL LIABILITY ARISING FROM SUCH USE. NO PART OF THESE STANDARDS SHOULD BE REPRODUCED OR DISTRIBUTED IN ANY FORM OR BY ANY MEANS WITHOUT THE PRIOR WRITTEN PERMISSION OF SCRR. ALL RIGHTS RESERVED.

METROLINK
SOUTHERN CALIFORNIA REGIONAL RAIL AUTHORITY
900 WILSHIRE BLVD., SUITE 1500, L. A., CA. 90017

ENGINEERING STANDARDS
DETECTABLE WARNING TILE,
DIRECTIONAL BAR TILE,
AND MARKING DETAILS

STANDARD	3203
SCALE:	AS NOTED
REVISION SHEET	B 2 OF 2
CADD FILE:	ES3203-02

SIGNAGE COLORS

PRIMARY

BLACK
PMS BLACK 6C

WHITE
11-0601 TCX
BRIGHT WHITE

TEAL
PMS 323C

GRAY
PMS COOL GRAY 10C

SECONDARY

SEA GREEN
PMS 318C

ORANGE
PMS 1665C

WARNING & TRACKS

ACCESS BLUE
PMS 801C

RED
PMS 193C

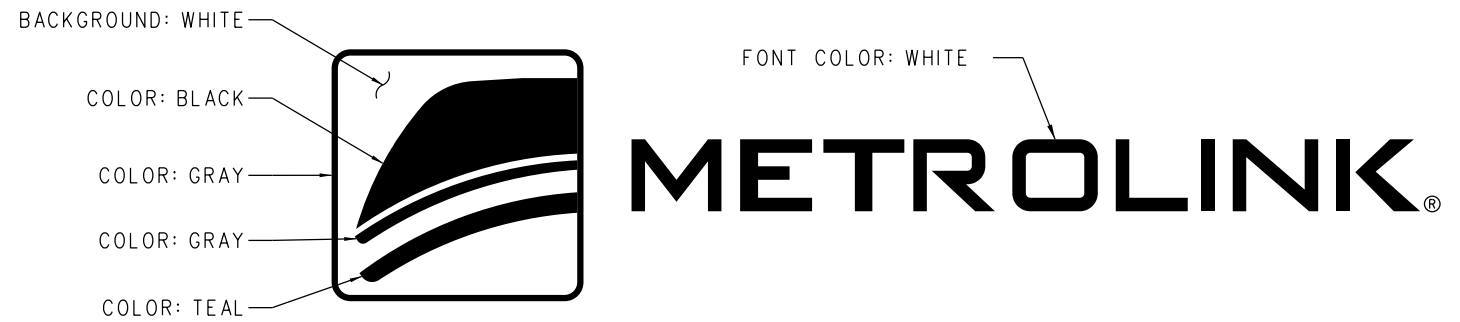
YELLOW
PMS 116C

GREEN
PMS 355C

BLUE
PMS 542C

METROLINK LOGO

NOTE: DIGITAL FILES OF METROLINK LOGOTYPE TO BE PROVIDED BY SCRRRA



SIGNAGE SYMBOLS



SIGNAGE TYPOGRAPHY

BERTOLD AKZIDENZ GROTESK SUPER

ABCDEFGHIJKLMNOPQRSTUVWXYZ
abcdefghijklmnopqrstuvwxyz
0123456789

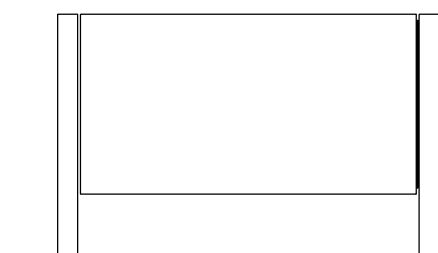
BERTOLD AKZIDENZ GROTESK MEDIUM

ABCDEFGHIJKLMNOPQRSTUVWXYZ
 abcdefghijklmnopqrstuvwxyz
 0123456789

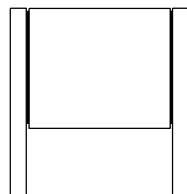
DRAWN BY: A. CARLOS		DATE: 04/01/09		SCRRRA ENGINEERING STANDARDS ARE INTENDED FOR SCRRRA APPROVED USES ONLY. FOR NON-SCRRRA APPROVED USES, SCRRRA SHALL NOT BE RESPONSIBLE FOR THE ACCURACY OR COMPLETENESS OF THE DATA OR INFORMATION CONTAINED HEREIN. THE SELECTION AND USE OF THESE STANDARDS IS THE SOLE RESPONSIBILITY OF THE USER AND SHOULD NOT BE USED WITHOUT CONSULTING A REGISTERED PROFESSIONAL ENGINEER. ALL WARRANTIES AND REPRESENTATIONS OF ANY KIND ARE DISCLAIMED. ANYONE MAKING USE OF THIS INFORMATION AGREES THAT IT ASSUMES ALL LIABILITY ARISING FROM SUCH USE. NO PART OF THESE STANDARDS SHOULD BE REPRODUCED OR DISTRIBUTED IN ANY FORM OR BY ANY MEANS WITHOUT THE PRIOR WRITTEN PERMISSION OF SCRRRA. ALL RIGHTS RESERVED.		METROLINK SOUTHERN CALIFORNIA REGIONAL RAIL AUTHORITY 900 WILSHIRE BLVD., SUITE 1500, L. A., CA. 90017		ENGINEERING STANDARDS		STANDARD
								3301		
								GRAPHIC STANDARDS		SCALE:
										NTS
										REVISION SHEET
										B 2 OF 2
										CADD FILE:
										ES3301-02

NOTES:

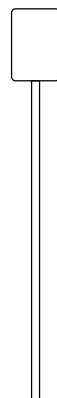
1. THE TYPICAL SIGNAGE TYPES USED AT A STATION ARE SHOWN IN THIS STANDARD
2. FOR TYPICAL SIGN LOCATION PLACEMENT AT STATIONS AND PLATFORMS SEE ES3303.



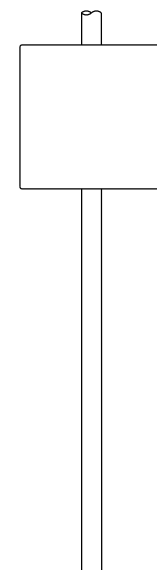
SIGN TYPE 1
PRIMARY IDENTIFICATION SIGN-
MONUMENT



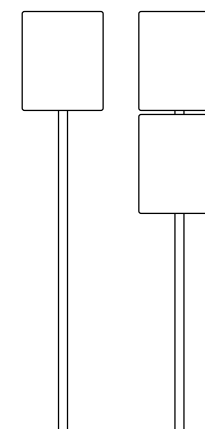
SIGN TYPE 2
VEHICULAR DIRECTIONAL SIGN -
FREESTANDING



SIGN TYPE 3
INFORMATION/RESTRICTIVE SIGN



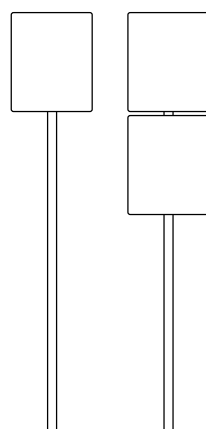
SIGN TYPE 4
TRAILBLAZER DIRECTIONAL SIGN



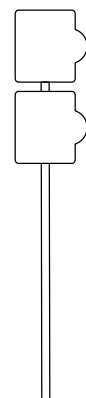
SIGN TYPE 5
PARKING RESTRICTIVE SIGN -
POLE MOUNTED



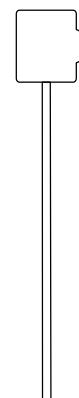
SIGN TYPE 6
ACCESSIBLE PARKING
IDENTIFICATION SIGN



SIGN TYPE 7
ACCESSIBLE PARKING
INFORMATION SIGN



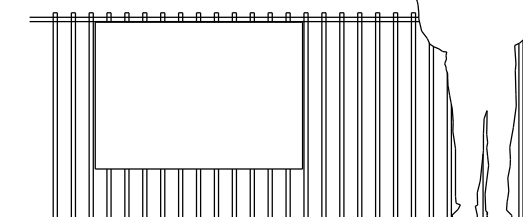
SIGN TYPE 8
TRACK DIRECTIONAL SIGN



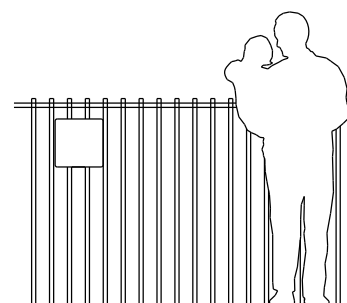
SIGN TYPE 9
ELEVATOR DIRECTIONAL SIGN



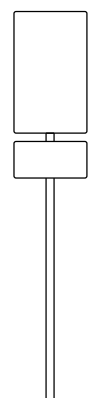
SIGN TYPE 10
ELEVATOR IDENTIFICATION SIGN -
FLAG MOUNTED



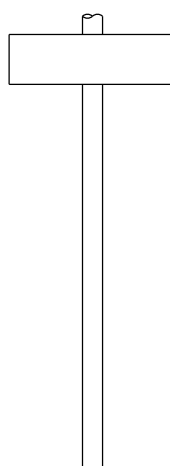
SIGN TYPE 11
PEDESTRIAN WARNING SIGN



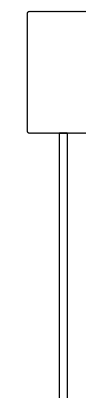
SIGN TYPE 12
PEDESTRIAN DIRECTIONAL SIGN



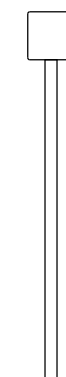
SIGN TYPE 13
PEDESTRIAN DIRECTIONAL LOOK SIGN -
POLE MOUNTED



SIGN TYPE 14
STATION IDENTIFICATION SIGN - SMALL
POLE MOUNTED

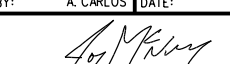
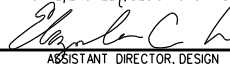


SIGN TYPE 15
CPUC RAILROAD CROSSING SIGN
POLE MOUNTED



SIGN TYPE 16
ACCESSIBLE SIGN

REV.	DATE	DESCRIPTION	DES.	ENG.
A	05-22-20	ADDED SIGN TYPES, REVISED SIGN NUMBERS AND NOTES	AC	JMM

DRAWN BY:	A. CARLOS	DATE:	04/01/09
 PRINCIPAL ENGINEER, DESIGN & STANDARDS			
 ASSISTANT DIRECTOR, DESIGN			

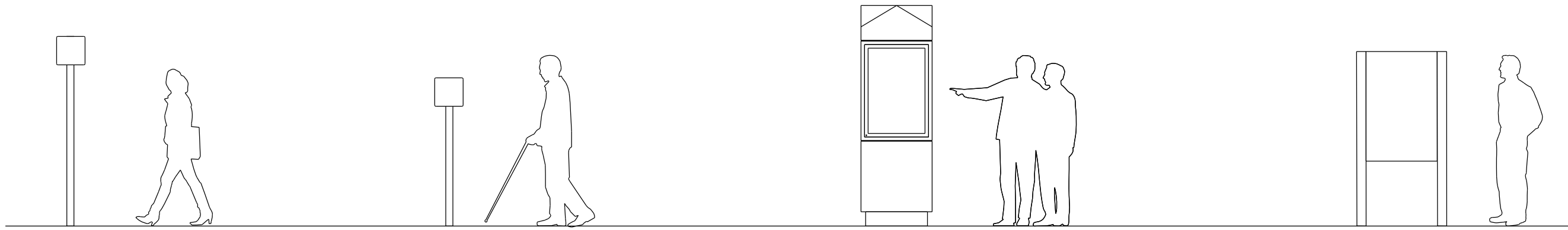
SCRRRA ENGINEERING STANDARDS ARE INTENDED FOR SCRRRA APPROVED USES ONLY. FOR NON-SCRRRA APPROVED USES, SCRRRA SHALL NOT BE RESPONSIBLE FOR THE ACCURACY OR COMPLETENESS OF THE DATA OR INFORMATION CONTAINED HEREIN. THE SELECTION AND USE OF THESE STANDARDS IS THE SOLE RESPONSIBILITY OF THE USER AND SHOULD NOT BE USED WITHOUT CONSULTING A REGISTERED PROFESSIONAL ENGINEER. ALL WARRANTIES AND REPRESENTATIONS OF ANY KIND ARE DISCLAIMED. ANYONE MAKING USE OF THIS INFORMATION AGREES THAT IT ASSUMES ALL LIABILITY ARISING FROM SUCH USE. NO PART OF THESE STANDARDS SHOULD BE REPRODUCED OR DISTRIBUTED IN ANY FORM OR BY ANY MEANS WITHOUT THE PRIOR WRITTEN PERMISSION OF SCRRRA. ALL RIGHTS RESERVED.



SOUTHERN CALIFORNIA REGIONAL RAIL AUTHORITY
900 WILSHIRE BLVD., SUITE 1500, L. A., CA. 90017

ENGINEERING STANDARDS	
STATION SIGN MENU	

STANDARD	3302
SCALE:	NTS
REVISION SHEET	A 1 OF 2
CADD FILE:	ES3302-01

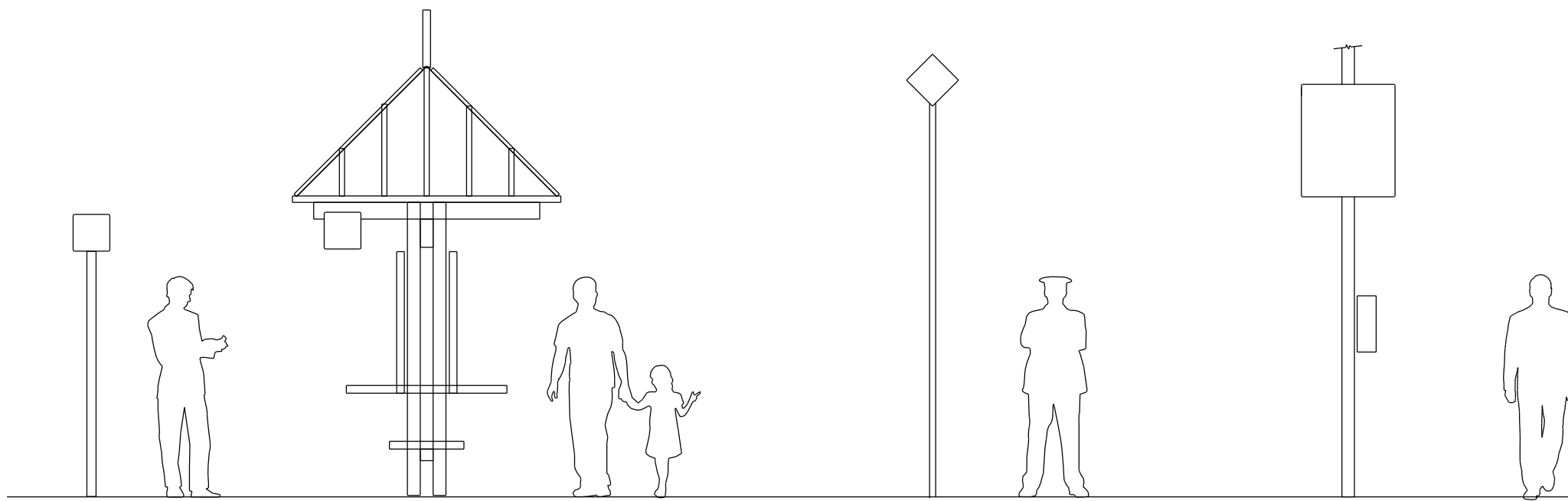


SIGN TYPE 17
PEDESTRIAN RESTRICTIVE/
INFORMATION SIGN

SIGN TYPE 18
A.D.A. STATION
IDENTIFICATION SIGN

SIGN TYPE 19
MAP/INFO KIOSK
FREESTANDING

SIGN TYPE 20
DISPLAY CASE



SIGN TYPE 21
POSITION MARKER &
TRACK IDENTIFICATION SIGN

SIGN TYPE 21
LOCOMOTIVE POSITION MARKER

SIGN TYPE 22
PASSENGER INFORMATION TELEPHONE

REV.	DATE	DESCRIPTION	DES.	ENG.
A	05-22-20	REVISED SING TYPE NUMBERS	AC	JMM

DRAWN BY: A. CARLOS DATE: 04/01/09

[Signature]
PRINCIPAL ENGINEER, DESIGN & STANDARDS

[Signature]
ASSISTANT DIRECTOR, DESIGN

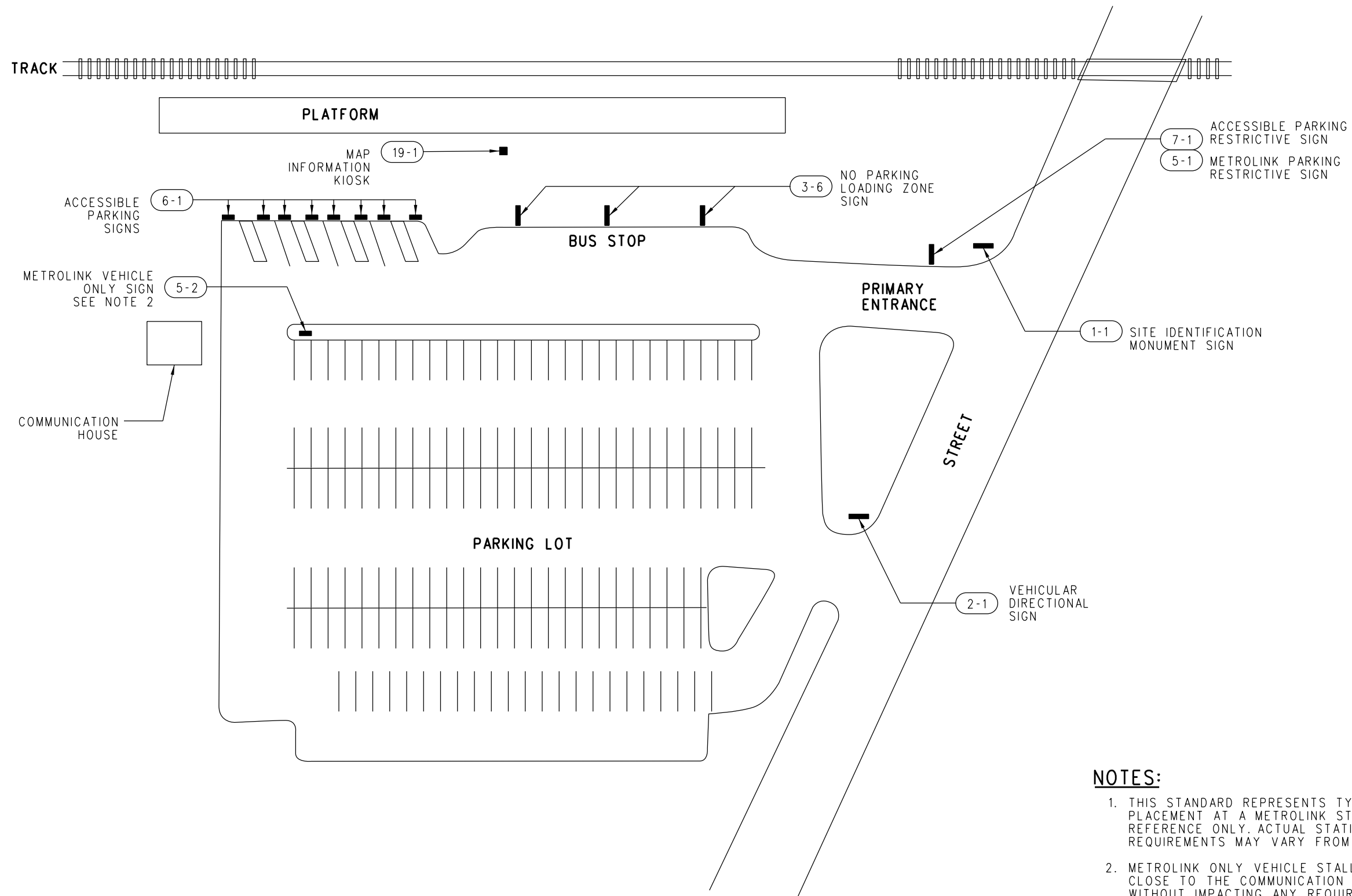
SCRRRA ENGINEERING STANDARDS ARE INTENDED FOR SCRRRA APPROVED USES ONLY.
FOR NON-SCRRRA APPROVED USES
SCRRRA SHALL NOT BE RESPONSIBLE FOR THE ACCURACY OR COMPLETENESS OF THE DATA OR INFORMATION CONTAINED HEREIN. THE SELECTION AND USE OF THESE STANDARDS IS THE SOLE RESPONSIBILITY OF THE USER AND SHOULD NOT BE USED WITHOUT CONSULTING A REGISTERED PROFESSIONAL ENGINEER. ALL WARRANTIES AND REPRESENTATIONS OF ANY KIND ARE DISCLAIMED. ANYONE MAKING USE OF THIS INFORMATION AGREES THAT IT ASSUMES ALL LIABILITY ARISING FROM SUCH USE. NO PART OF THESE STANDARDS SHOULD BE REPRODUCED OR DISTRIBUTED IN ANY FORM OR BY ANY MEANS WITHOUT THE PRIOR WRITTEN PERMISSION OF SCRRRA. ALL RIGHTS RESERVED.

METROLINK
SOUTHERN CALIFORNIA REGIONAL RAIL AUTHORITY
900 WILSHIRE BLVD., SUITE 1500, L. A., CA. 90017

ENGINEERING STANDARDS

STATION SIGN MENU

STANDARD	3302
SCALE:	NTS
REVISION SHEET	A 2 OF 2
CADD FILE:	ES3302-02



NOTES:

1. THIS STANDARD REPRESENTS TYPICAL SIGNAGE LOCATION PLACEMENT AT A METROLINK STATION AND IS SHOWN FOR REFERENCE ONLY. ACTUAL STATIONS AND SIGN REQUIREMENTS MAY VARY FROM THIS STANDARD.
2. METROLINK ONLY VEHICLE STALL SHALL BE LOCATED AS CLOSE TO THE COMMUNICATION HOUSE AS POSSIBLE WITHOUT IMPACTING ANY REQUIRED ACCESSIBLE PARKING STALLS. DISCUSS WITH SCRRA IF ADDITIONAL METROLINK ONLY VEHICLE STALLS ARE REQUIRED FOR THE STATION.

REV.	DATE	DESCRIPTION	DES.	ENG.
A	08-20-20	REVISED SIGN NUMBERS AND NOTES	AC	JMM

DRAWN BY: A. CARLOS DATE: 04/01/09

[Signature]
 PRINCIPAL ENGINEER, DESIGN & STANDARDS

[Signature]
 ASSISTANT DIRECTOR, DESIGN

SCRRA ENGINEERING STANDARDS ARE INTENDED FOR SCRRA APPROVED USES ONLY. FOR NON-SCRRA APPROVED USES, SCRRA SHALL NOT BE RESPONSIBLE FOR THE ACCURACY OR COMPLETENESS OF THE DATA OR INFORMATION CONTAINED HEREIN. THE SELECTION AND USE OF THESE STANDARDS IS THE SOLE RESPONSIBILITY OF THE USER AND SHOULD NOT BE USED WITHOUT CONSULTING A REGISTERED PROFESSIONAL ENGINEER. ALL WARRANTIES AND REPRESENTATIONS OF ANY KIND ARE DISCLAIMED. ANYONE MAKING USE OF THIS INFORMATION AGREES THAT IT ASSUMES ALL LIABILITY ARISING FROM SUCH USE. NO PART OF THESE STANDARDS SHOULD BE REPRODUCED OR DISTRIBUTED IN ANY FORM OR BY ANY MEANS WITHOUT THE PRIOR WRITTEN PERMISSION OF SCRRA. ALL RIGHTS RESERVED.

METROLINK
 SOUTHERN CALIFORNIA REGIONAL RAIL AUTHORITY
 900 WILSHIRE BLVD., SUITE 1500, L. A., CA. 90017

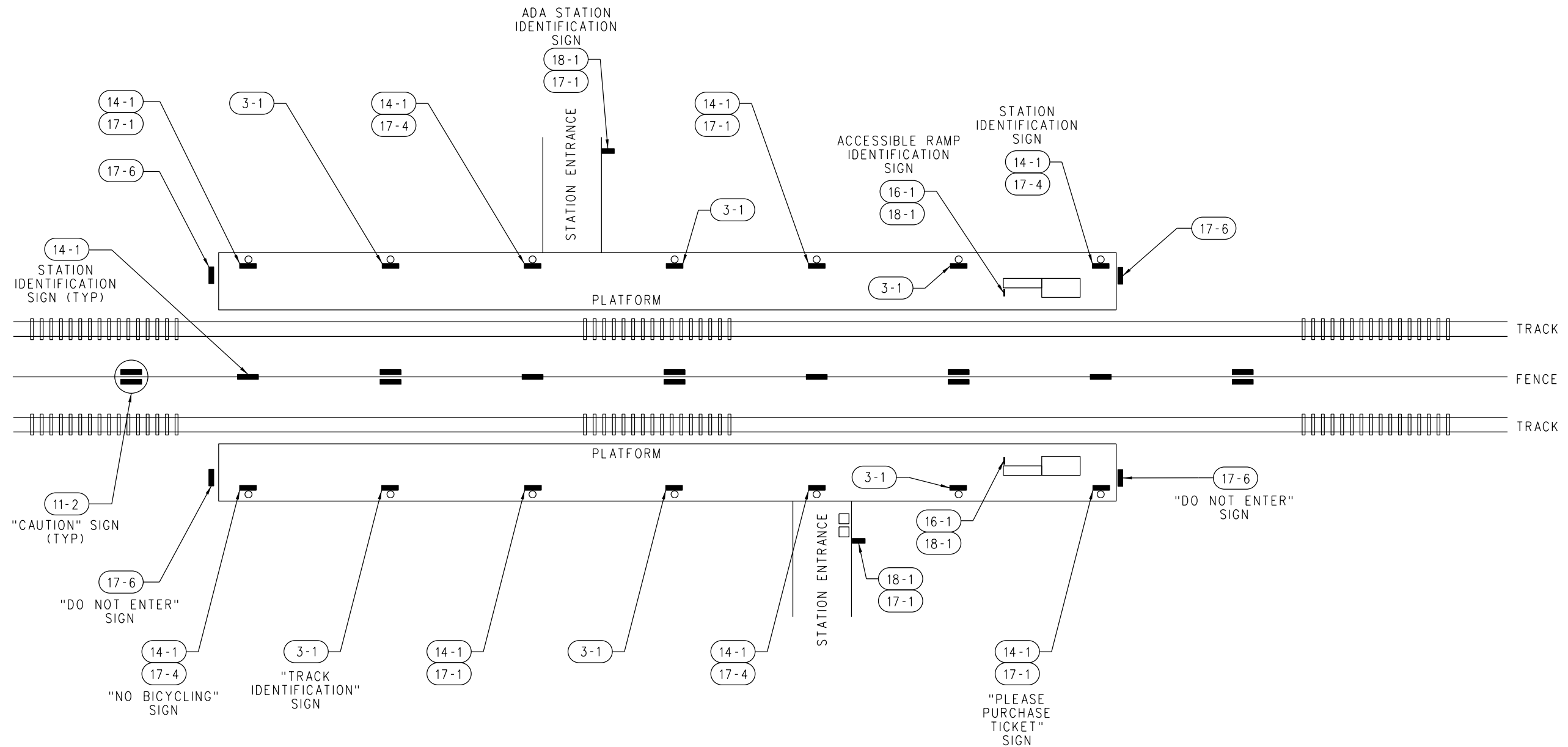
ENGINEERING STANDARDS

STATION SITE
 TYPICAL SIGN LOCATION PLAN

STANDARD	3303
SCALE:	NTS
REVISION SHEET	1 OF 3
CADD FILE:	ES3303-01

NOTE:

THIS STANDARD REPRESENTS TYPICAL SIGNAGE LOCATION PLACEMENT ON A METROLINK STATION SIDE PLATFORM AND IS SHOWN FOR REFERENCE ONLY. ACTUAL PLATFORM AND SIGN TYPE REQUIREMENTS MAY VARY FROM THIS PLAN.



REV.	DATE	DESCRIPTION	DES.	ENG.
A	05-22-20	REVISED NUMBERING AND NOTE	AC	JMM

DRAWN BY: A. CARLOS DATE: 04/01/09

[Signature]
 PRINCIPAL ENGINEER, DESIGN & STANDARDS

[Signature]
 ASSISTANT DIRECTOR, DESIGN

SCRR ENGINEERING STANDARDS ARE INTENDED FOR SCRR APPROVED USES ONLY. FOR NON-SCRR APPROVED USES, SCRR SHALL NOT BE RESPONSIBLE FOR THE ACCURACY OR COMPLETENESS OF THE DATA OR INFORMATION CONTAINED HEREIN. THE SELECTION AND USE OF THESE STANDARDS IS THE SOLE RESPONSIBILITY OF THE USER AND SHOULD NOT BE USED WITHOUT CONSULTING A REGISTERED PROFESSIONAL ENGINEER. ALL WARRANTIES AND REPRESENTATIONS OF ANY KIND ARE DISCLAIMED. ANYONE MAKING USE OF THIS INFORMATION AGREES THAT IT ASSUMES ALL LIABILITY ARISING FROM SUCH USE. NO PART OF THESE STANDARDS SHOULD BE REPRODUCED OR DISTRIBUTED IN ANY FORM OR BY ANY MEANS WITHOUT THE PRIOR WRITTEN PERMISSION OF SCRR. ALL RIGHTS RESERVED.

METROLINK
 SOUTHERN CALIFORNIA REGIONAL RAIL AUTHORITY
 900 WILSHIRE BLVD., SUITE 1500, L. A., CA. 90017

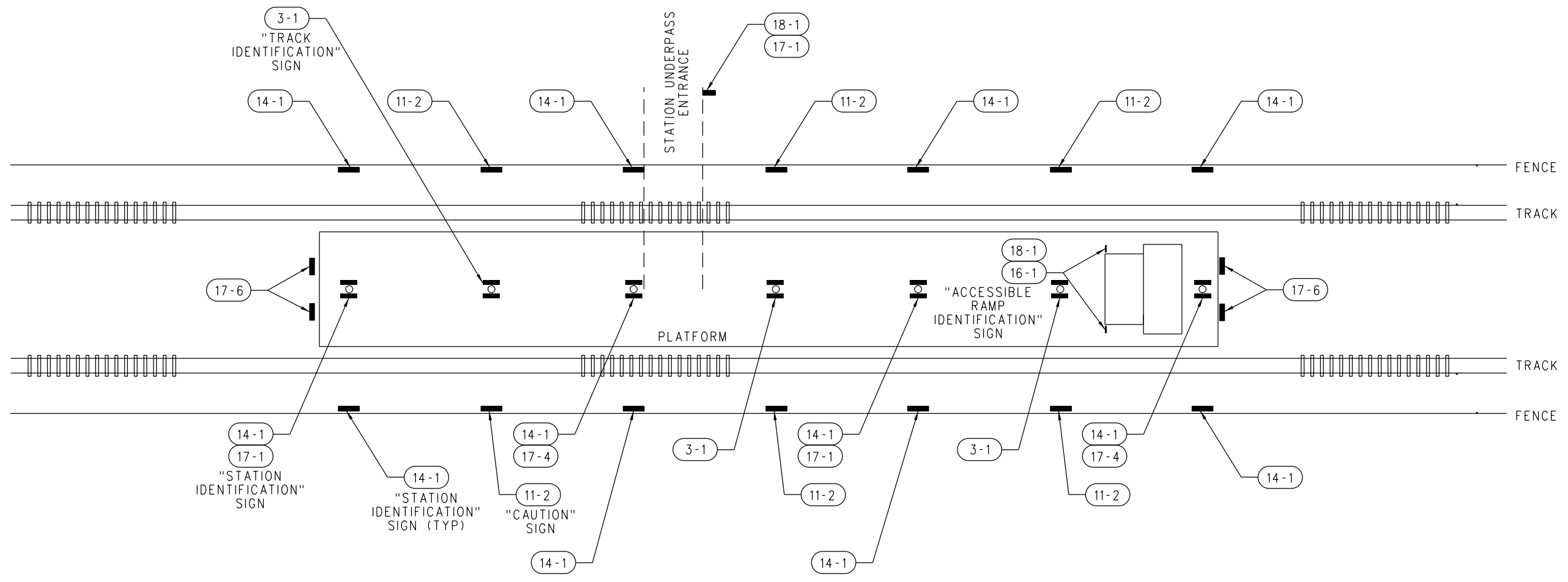
ENGINEERING STANDARDS

SIDE PLATFORM
 TYPICAL SIGN LOCATION PLAN

STANDARD	3303
SCALE:	NTS
REVISION SHEET	A 2 OF 3
CADD FILE:	ES3303-02

NOTE:

THIS STANDARD REPRESENTS TYPICAL SIGNAGE LOCATION PLACEMENT ON A METROLINK STATION CENTER PLATFORM AND IS SHOWN FOR REFERENCE ONLY. ACTUAL PLATFORM AND SIGN TYPE REQUIREMENTS MAY VARY FROM THIS PLAN.



REV.	DATE	DESCRIPTION	DES.	ENG.
A	05-29-20	REVISED PLATFORM, NUMBERING AND TITLE	AC	JMM

DRAWN BY:	A. CARLOS	DATE:	04/01/09
 PRINCIPAL ENGINEER, DESIGN & STANDARDS		 ASSISTANT DIRECTOR, DESIGN	

SCRRRA ENGINEERING STANDARDS ARE INTENDED FOR SCRRRA APPROVED USES ONLY. FOR NON-SCRRRA APPROVED USES, SCRRRA SHALL NOT BE RESPONSIBLE FOR THE ACCURACY OR COMPLETENESS OF THE DATA OR INFORMATION CONTAINED HEREIN. THE SELECTION AND USE OF THESE STANDARDS IS THE SOLE RESPONSIBILITY OF THE USER AND SHOULD NOT BE USED WITHOUT CONSULTING A REGISTERED PROFESSIONAL ENGINEER. ALL WARRANTIES AND REPRESENTATIONS OF ANY KIND ARE DISCLAIMED. ANYONE MAKING USE OF THIS INFORMATION AGREES THAT IT ASSUMES ALL LIABILITY ARISING FROM SUCH USE. NO PART OF THESE STANDARDS SHOULD BE REPRODUCED OR DISTRIBUTED IN ANY FORM OR BY ANY MEANS WITHOUT THE PRIOR WRITTEN PERMISSION OF SCRRRA. ALL RIGHTS RESERVED.

METROLINK
 SOUTHERN CALIFORNIA REGIONAL RAIL AUTHORITY
 900 WILSHIRE BLVD., SUITE 1500, L. A., CA. 90017

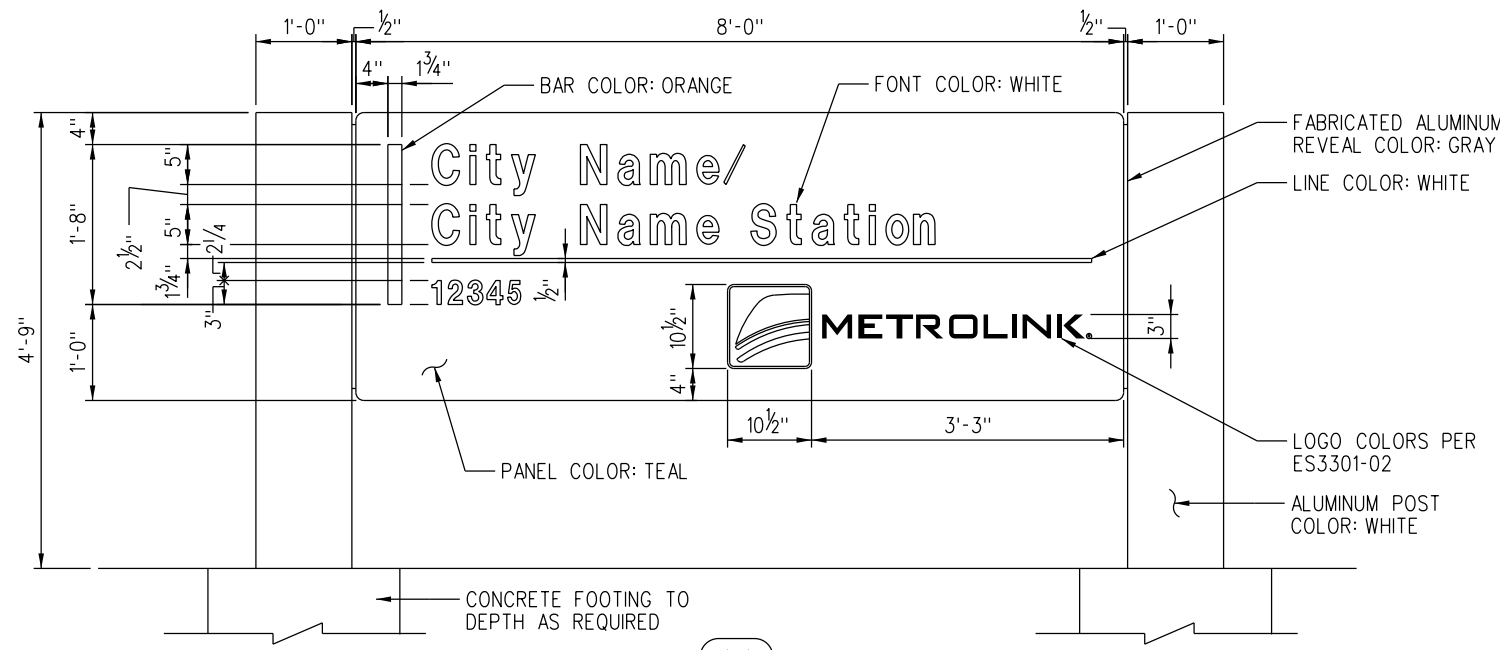
ENGINEERING STANDARDS

CENTER PLATFORM
 TYPICAL SIGN LOCATION PLAN

STANDARD	3303
SCALE:	NTS
REVISION SHEET	A 3 OF 3
CADD FILE:	ES3303-03

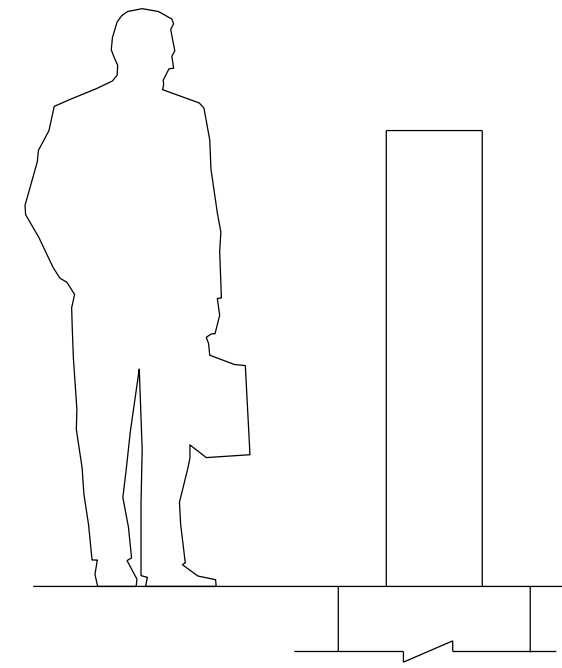
NOTES:

1. SIGN CONTRACTOR SHALL ENGINEER FABRICATION AND INSTALLATION OF SIGN STRUCTURE TO SATISFY ALL LOCAL CODES & WIND LOAD FACTORS.
2. SIGN PANEL TO BE PORCELAIN ENAMEL WITH SMOOTH-FINISHED EDGES & SEAMS; MARINE GRADE PLYWOOD-FILLED INTERIOR.
3. ALL FASTENERS SHALL BE PLATED FASTENERS AND SHALL BE PAINTED TO MATCH SIGN FACE.



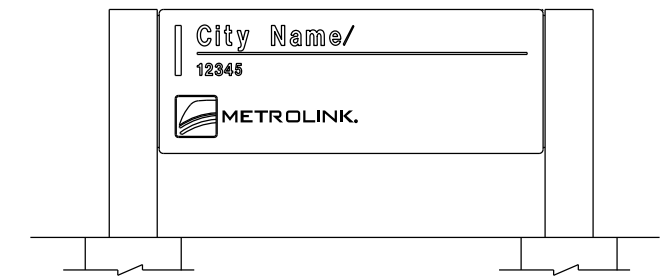
**ELEVATION
2 LINE/DOUBLE-FACED**

SCALE: 1" = 1'-0"



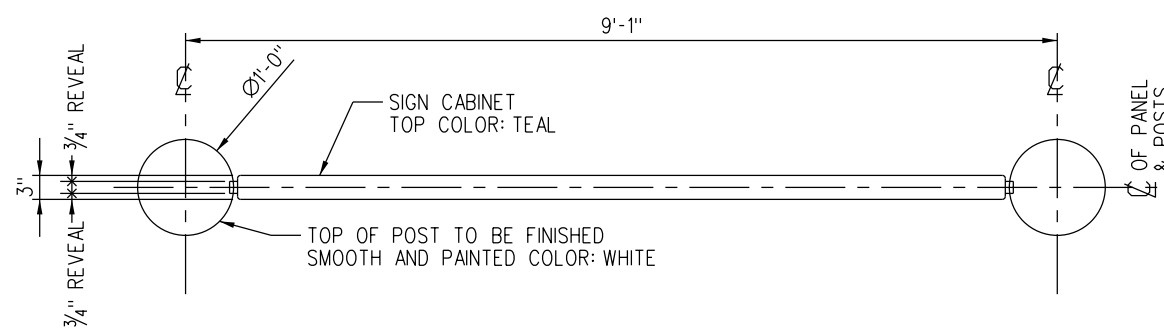
SIDE VIEW

SCALE: 1" = 1'-0"



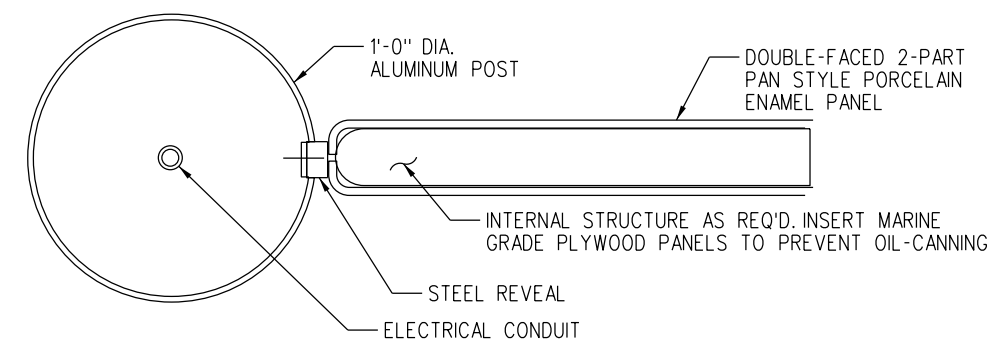
**ELEVATION
1 LINE/DOUBLE-FACED**

SCALE: 1/2" = 1'-0"



PLAN

SCALE: 1" = 1'-0"



PLAN SECTION

NOT TO SCALE



REV.	DATE	DESCRIPTION	DES.	ENG.
C	05-29-20	REVISED SIGN TYPE NUMBER, TITLE	AC	DJM
B	03/21/17	REVISED DETAILS A, B, C AND D	AC	DJM
A	05/01/12	REVISED DETAIL "A" AND "D"	AC	NDP

DRAWN BY:	A. CARLOS	DATE:	04/01/09
 PRINCIPAL ENGINEER, DESIGN & STANDARDS		 ASSISTANT DIRECTOR, DESIGN	

SCRR ENGINEERING STANDARDS ARE INTENDED FOR SCRR APPROVED USES ONLY. FOR NON-SCRR APPROVED USES, SCRR SHALL NOT BE RESPONSIBLE FOR THE ACCURACY OR COMPLETENESS OF THE DATA OR INFORMATION CONTAINED HEREIN. THE SELECTION AND USE OF THESE STANDARDS IS THE SOLE RESPONSIBILITY OF THE USER AND SHOULD NOT BE USED WITHOUT CONSULTING A REGISTERED PROFESSIONAL ENGINEER. ALL WARRANTIES AND REPRESENTATIONS OF ANY KIND ARE DISCLAIMED. ANYONE MAKING USE OF THIS INFORMATION AGREES THAT IT ASSUMES ALL LIABILITY ARISING FROM SUCH USE. NO PART OF THESE STANDARDS SHOULD BE REPRODUCED OR DISTRIBUTED IN ANY FORM OR BY ANY MEANS WITHOUT THE PRIOR WRITTEN PERMISSION OF SCRR. ALL RIGHTS RESERVED.

METROLINK
 SOUTHERN CALIFORNIA REGIONAL RAIL AUTHORITY
 900 WILSHIRE BLVD., SUITE 1500, L. A., CA. 90017

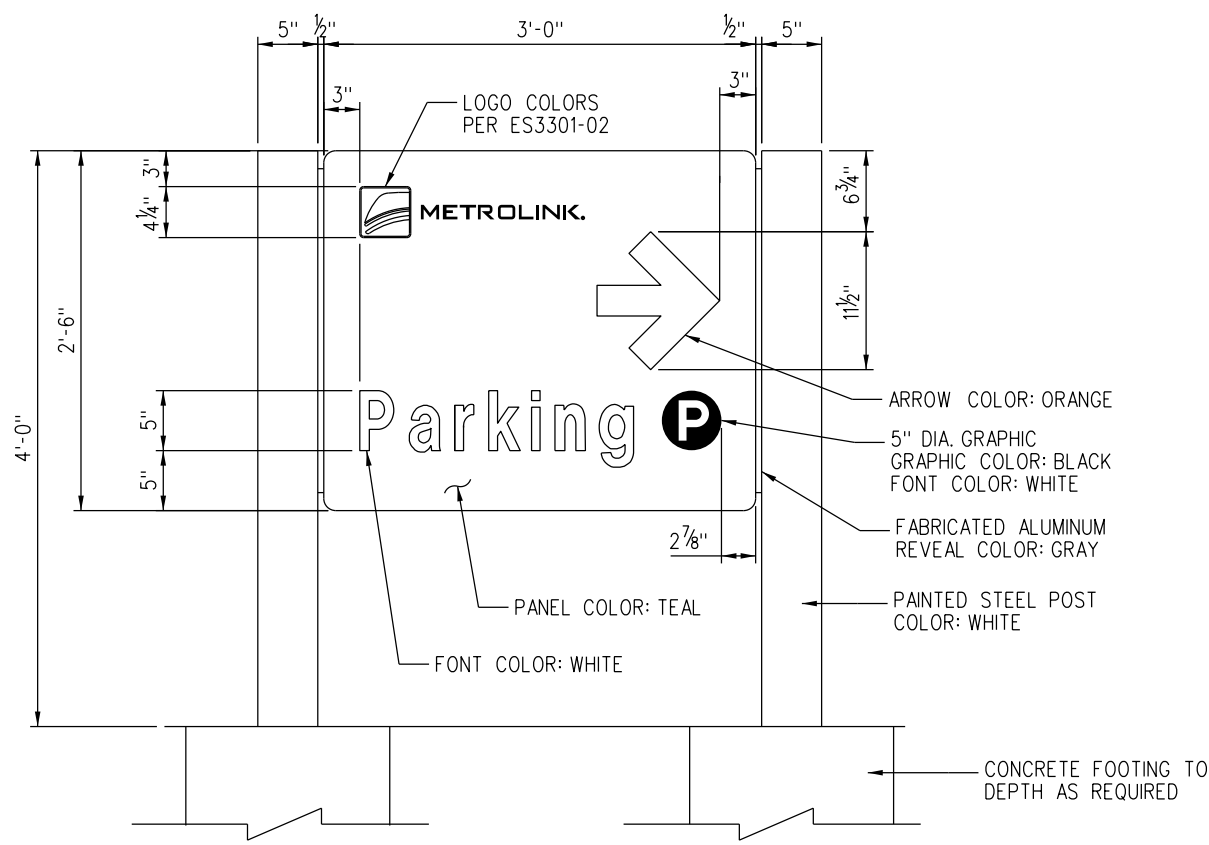
ENGINEERING STANDARDS

**SIGN TYPE 1
 PRIMARY IDENTIFICATION MONUMENT SIGN**

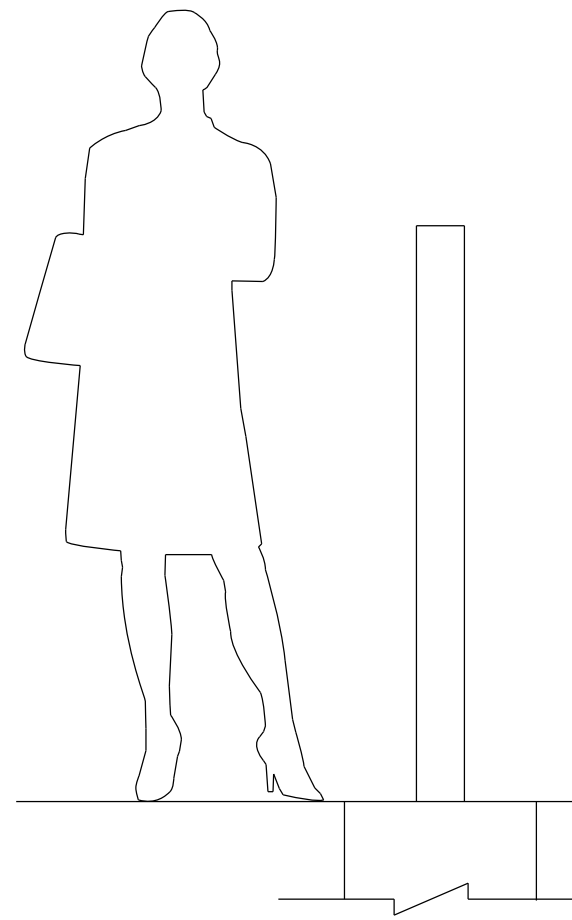
STANDARD	3305
SCALE:	AS NOTED
REVISION SHEET	C 1 OF 1
CADD FILE:	ES3305

NOTES:

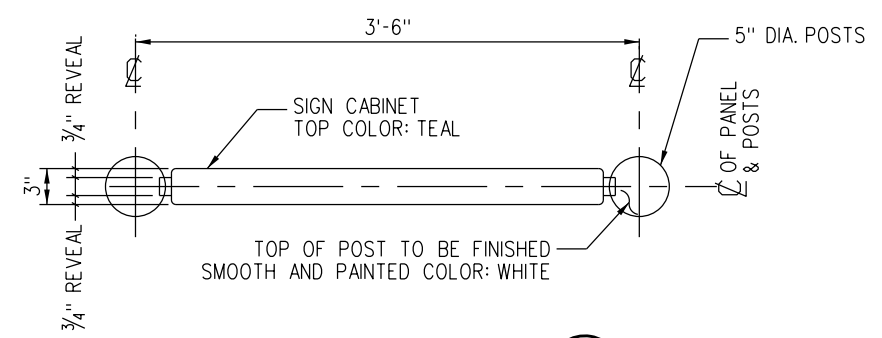
1. SIGN CONTRACTOR SHALL ENGINEER FABRICATION AND INSTALLATION OF SIGN STRUCTURE TO SATISFY ALL LOCAL CODES & WIND LOAD FACTORS.
2. SIGN PANEL TO BE PORCELAIN ENAMEL WITH SMOOTH FINISHED EDGES & SEAMS; MARINE GRADE PLYWOOD-FILLED INTERIOR.
3. ALL FASTENERS SHALL BE PLATED FASTENERS AND SHALL BE PAINTED TO MATCH SIGN FACE.



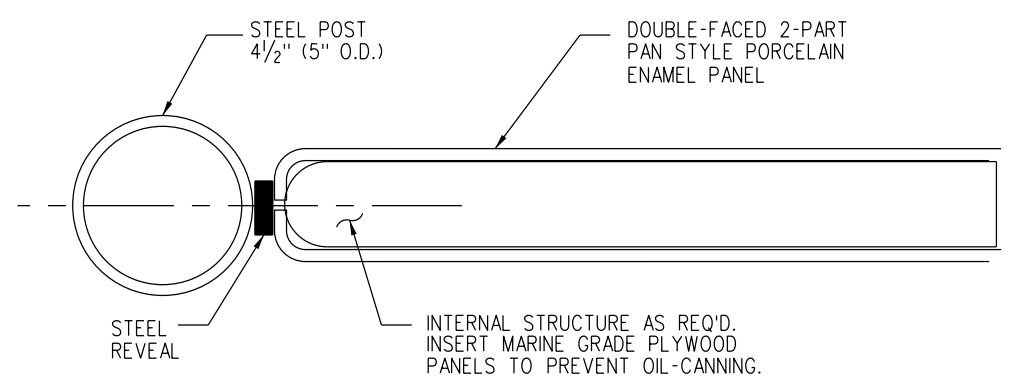
ELEVATION DOUBLE-FACED
SCALE: 1/2" = 1'-0"



SIDE VIEW
SCALE: 1/2" = 1'-0"



PLAN
SCALE: 1/2" = 1'-0"



PLAN SECTION
NOT TO SCALE

REV.	DATE	DESCRIPTION	DES.	ENG.
B	05-29-20	REVISED POST DIAMETER	AC	JMM
A	03-21-17	REVISED SIGN DETAILS	AC	DJM
DRAWN BY: A. CARLOS DATE: 04/01/09 PRINCIPAL ENGINEER, DESIGN & STANDARDS ASSISTANT DIRECTOR, DESIGN				

SCRR ENGINEERING STANDARDS ARE INTENDED FOR SCRR APPROVED USES ONLY. FOR NON-SCRR APPROVED USES, SCRR SHALL NOT BE RESPONSIBLE FOR THE ACCURACY OR COMPLETENESS OF THE DATA OR INFORMATION CONTAINED HEREIN. THE SELECTION AND USE OF THESE STANDARDS IS THE SOLE RESPONSIBILITY OF THE USER AND SHOULD NOT BE USED WITHOUT CONSULTING A REGISTERED PROFESSIONAL ENGINEER. ALL WARRANTIES AND REPRESENTATIONS OF ANY KIND ARE DISCLAIMED. ANYONE MAKING USE OF THIS INFORMATION AGREES THAT IT ASSUMES ALL LIABILITY ARISING FROM SUCH USE. NO PART OF THESE STANDARDS SHOULD BE REPRODUCED OR DISTRIBUTED IN ANY FORM OR BY ANY MEANS WITHOUT THE PRIOR WRITTEN PERMISSION OF SCRR. ALL RIGHTS RESERVED.

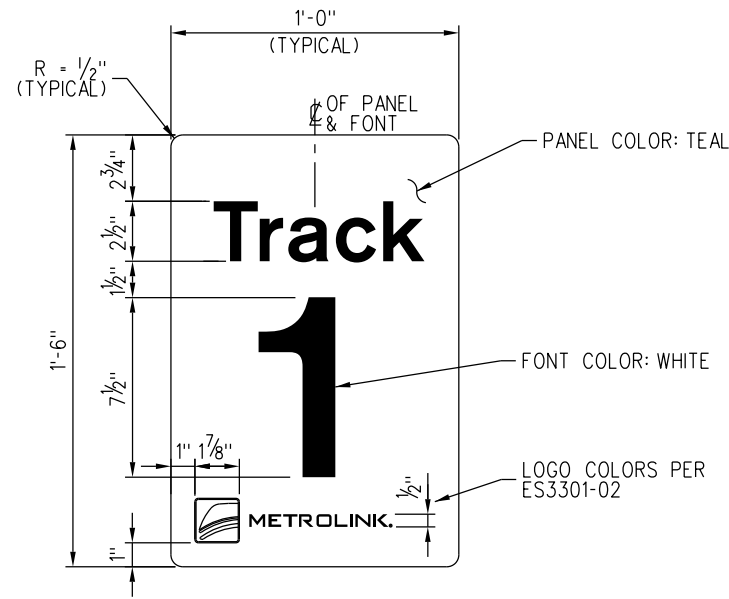
METROLINK
SOUTHERN CALIFORNIA REGIONAL RAIL AUTHORITY
900 WILSHIRE BLVD., SUITE 1500, L. A., CA. 90017

ENGINEERING STANDARDS
SIGN TYPE 2
VEHICULAR DIRECTIONAL
FREESTANDING SIGN

STANDARD	3306
SCALE:	AS NOTED
REVISION SHEET	B 1 OF 1
CADD FILE:	ES3306

NOTES:

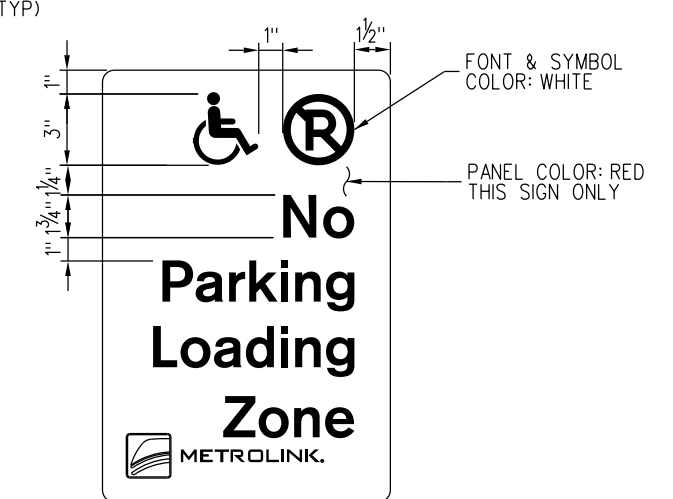
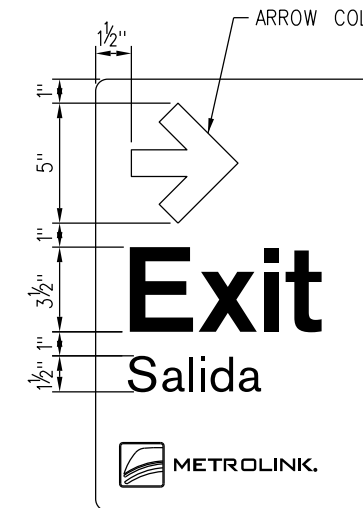
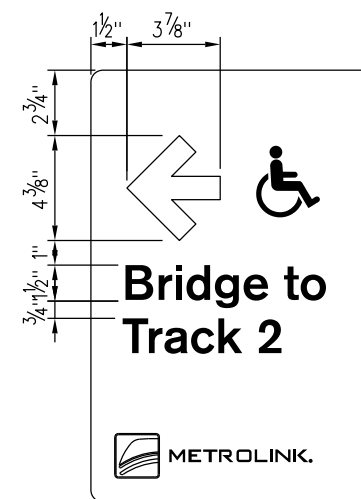
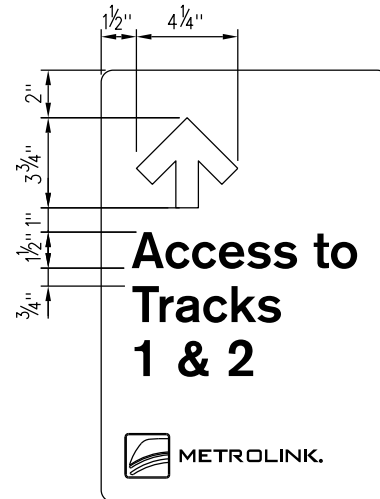
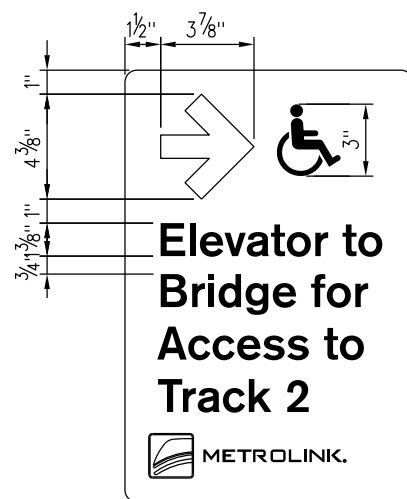
1. SIGN TO BE CONSTRUCTED OF 1/8" THICK ALUMINUM.
2. SPECIFIC COLORS OF THE COLORS NOTED ARE SPECIFIED ON ES3301-02.
3. FONTS, SYMBOLS, AND ARROWS SHALL BE SILKSCREENED OR PAINTED, UNLESS OTHERWISE NOTED.
4. SEAL SIGN WITH TRANSPARENT ANTI-GRAFFITI FILM.
5. FOR SIGN MOUNTING DETAILS, SEE DETAILS ON ES3340.
6. ALL FASTENERS AND MOUNTINGS SHALL BE GALVANIZED OR STAINLESS STEEL PAINTED TO MATCH SURROUNDING COLOR.
7. CONTINUE PAINT COLOR USED ON FRONT OF SIGNS TO SIDES. PAINT BACK OF PANEL WITH DOMINANT COLOR.



3-1

TRACK IDENTIFICATION SIGN LAYOUT - DOUBLE SIDED

A



3-2

3-3

3-4

3-5

3-6

SIGN LAYOUTS

B

REV.	DATE	DESCRIPTION	DES.	ENG.
B	05-29-20	REVISED LOGO AND DRAWING TITLE	AC	JMM
A	03-22-17	REVISED SIGNS DETAILS	AC	DJM

DRAWN BY: A. CARLOS DATE: 04/01/09
 PRINCIPAL ENGINEER, DESIGN & STANDARDS
 ASSISTANT DIRECTOR, DESIGN

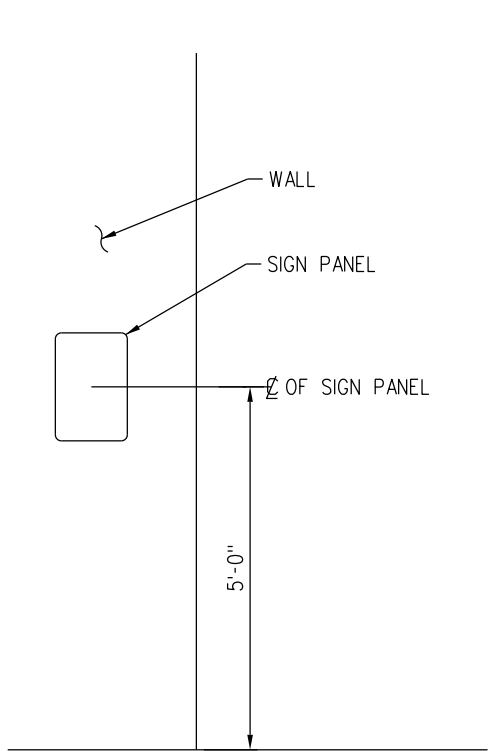
SCRR ENGINEERING STANDARDS ARE INTENDED FOR SCRR APPROVED USES ONLY. SCRR SHALL NOT BE RESPONSIBLE FOR THE ACCURACY OR COMPLETENESS OF THE DATA OR INFORMATION CONTAINED HEREIN. THE SELECTION AND USE OF THESE STANDARDS IS THE SOLE RESPONSIBILITY OF THE USER AND SHOULD NOT BE USED WITHOUT CONSULTING A REGISTERED PROFESSIONAL ENGINEER. ALL WARRANTIES AND REPRESENTATIONS OF ANY KIND ARE DISCLAIMED. ANYONE MAKING USE OF THIS INFORMATION AGREES THAT IT ASSUMES ALL LIABILITY ARISING FROM SUCH USE. NO PART OF THESE STANDARDS SHOULD BE REPRODUCED OR DISTRIBUTED IN ANY FORM OR BY ANY MEANS WITHOUT THE PRIOR WRITTEN PERMISSION OF SCRR. ALL RIGHTS RESERVED.

METROLINK
 SOUTHERN CALIFORNIA REGIONAL RAIL AUTHORITY
 900 WILSHIRE BLVD., SUITE 1500, L. A., CA. 90017

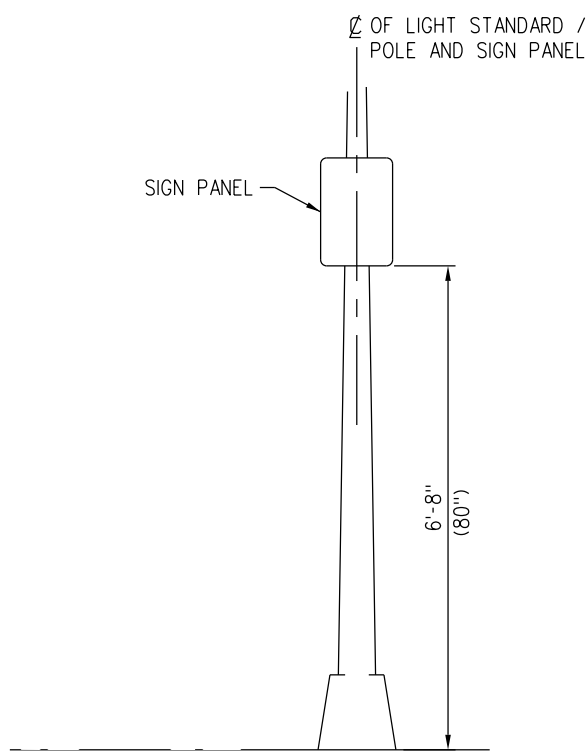
ENGINEERING STANDARDS

SIGN TYPE 3
 INFORMATION / RESTRICTIVE
 SIGN LAYOUTS

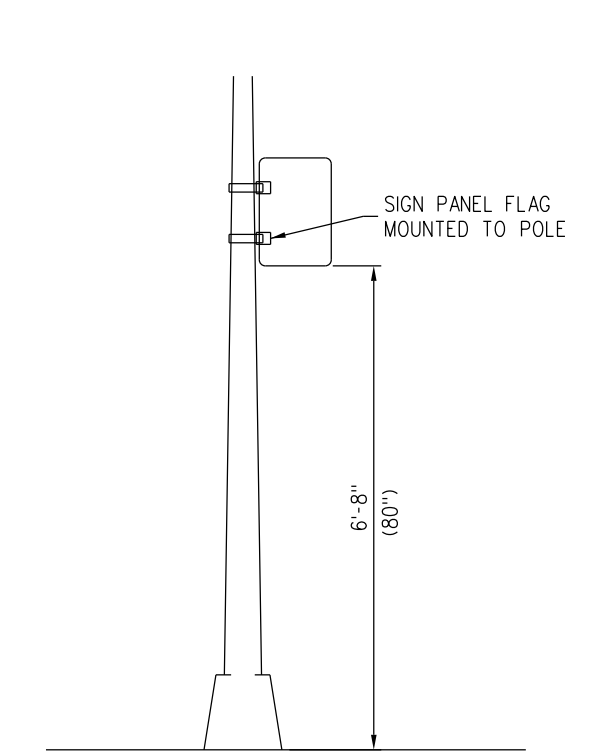
STANDARD	3307
SCALE:	NTS
REVISION SHEET	B 1 OF 3
CADD FILE:	ES3307-01



FLUSH MOUNT TO WALL



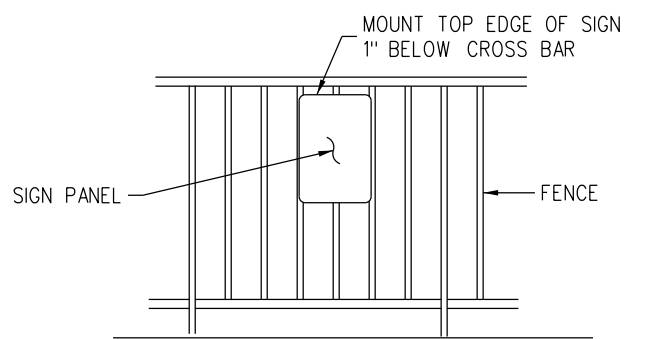
**CENTER MOUNT TO ROUND POLE
(DIRECTIONAL SIGN)**



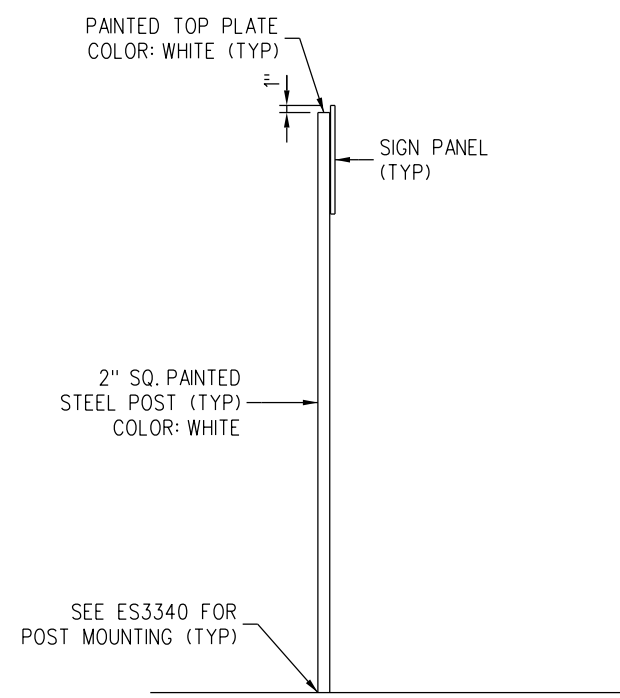
**CENTER MOUNT TO ROUND POLE
(TRACK IDENTIFICATION SIGN)**

NOTES:

1. SEE ES3307-01 FOR NOTES.

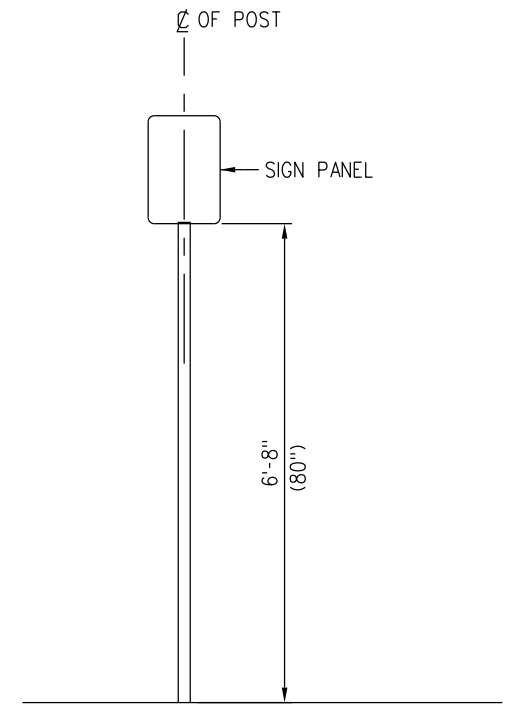


FENCE MOUNT

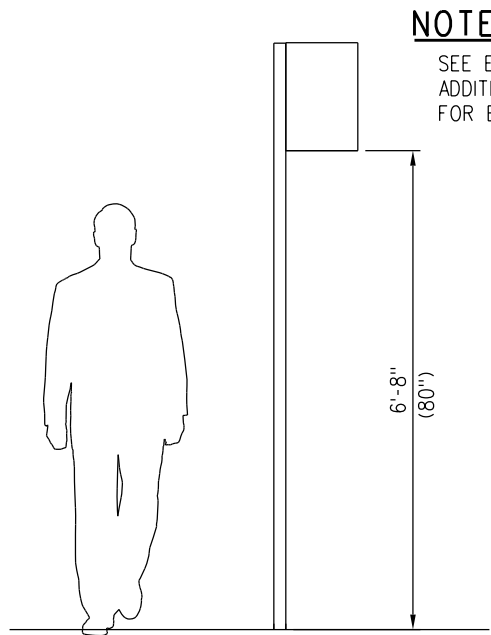


SIDE VIEW

**CENTER MOUNT TO SQUARE POST
(RESTRICTIVE SIGN)**

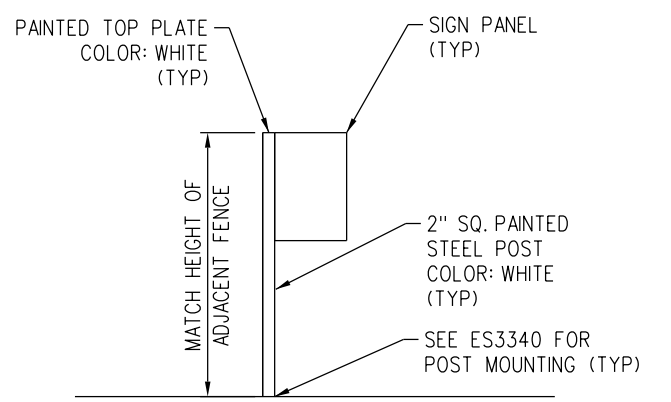


FRONT VIEW



HIGH MOUNT

**FLAG MOUNT TO SQUARE POST
(EXIT SIGN)**



LOW MOUNT

ELEVATIONS
SEE NOTE 5



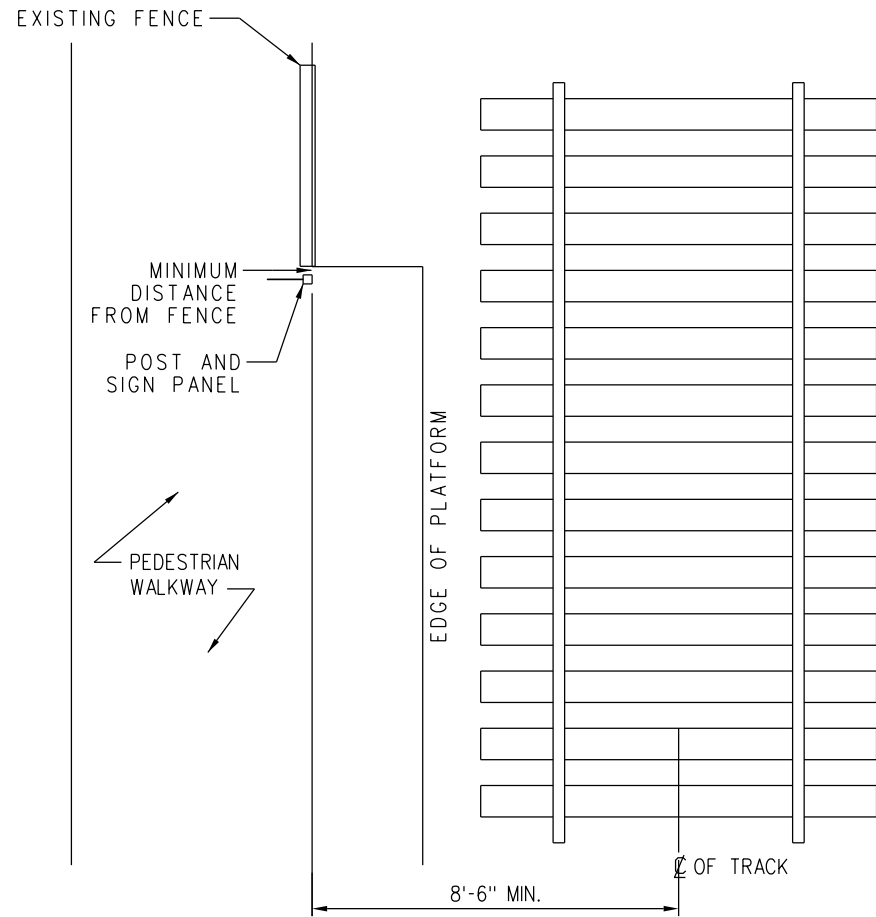
REV.	DATE	DESCRIPTION	DES.	ENG.
A	05-29-20	REVISED DRAWING TITLE	AC	JMM

DRAWN BY: A. CARLOS DATE: 04/01/09
 PRINCIPAL ENGINEER, DESIGN & STANDARDS
 ASSISTANT DIRECTOR, DESIGN

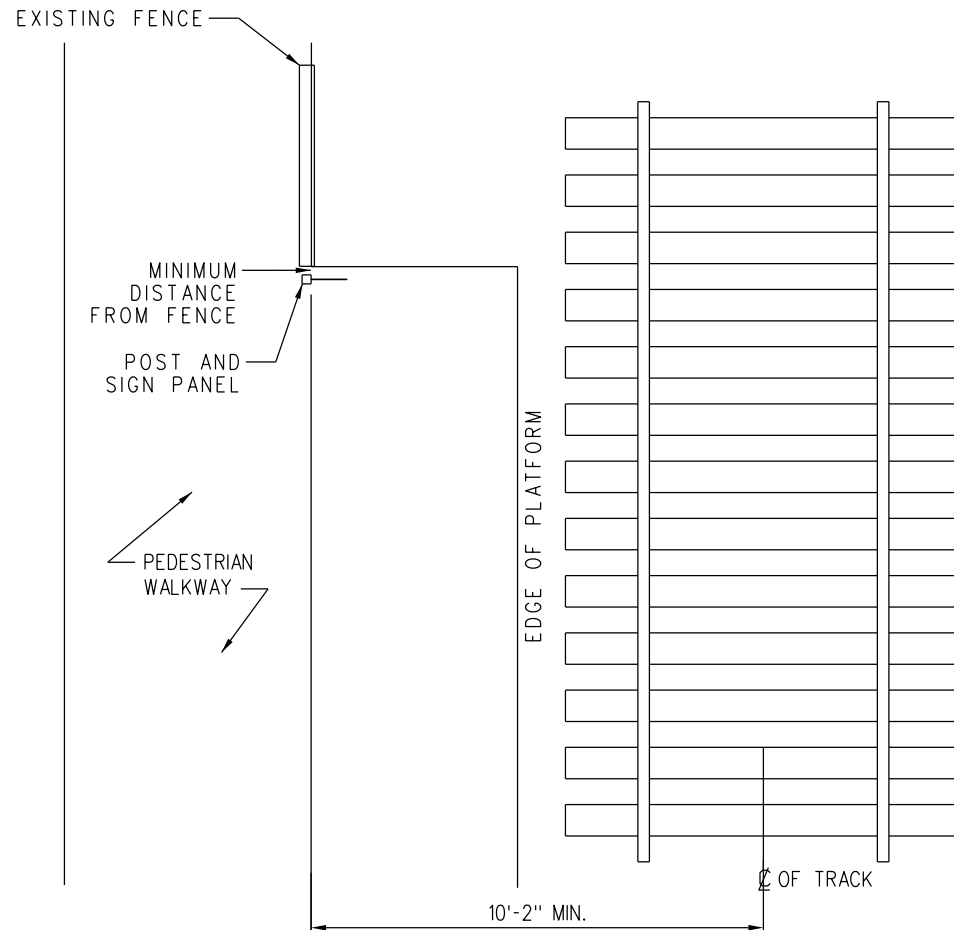
METROLINK
 SOUTHERN CALIFORNIA REGIONAL RAIL AUTHORITY
 900 WILSHIRE BLVD., SUITE 1500, L. A., CA. 90017

ENGINEERING STANDARDS
 SIGN TYPE 3
 INFORMATION / RESTRICTIVE SIGN
 DETAILS

STANDARD	3307
SCALE:	NTS
REVISION SHEET	2 OF 3
CADD FILE:	ES3307-02



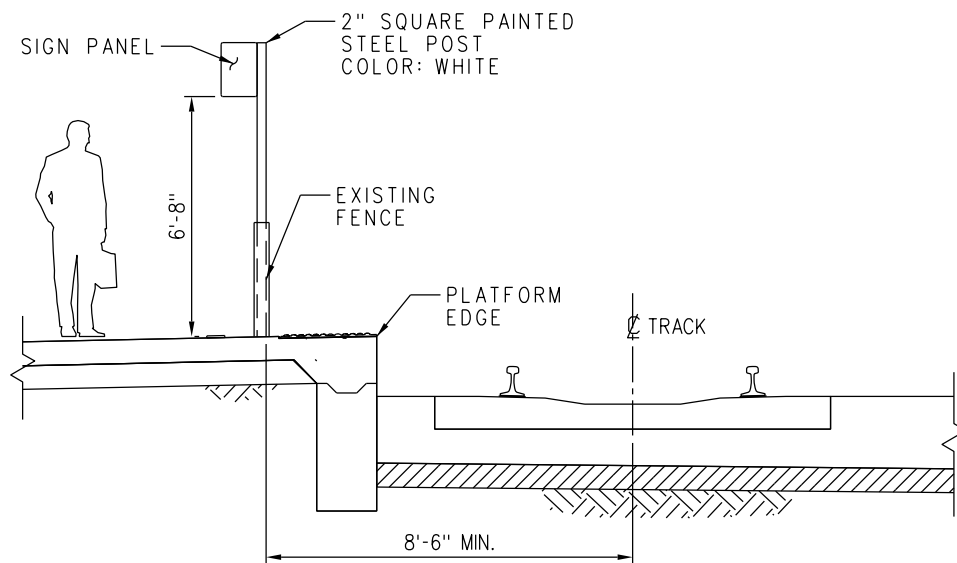
PLAN



PLAN

NOTES:

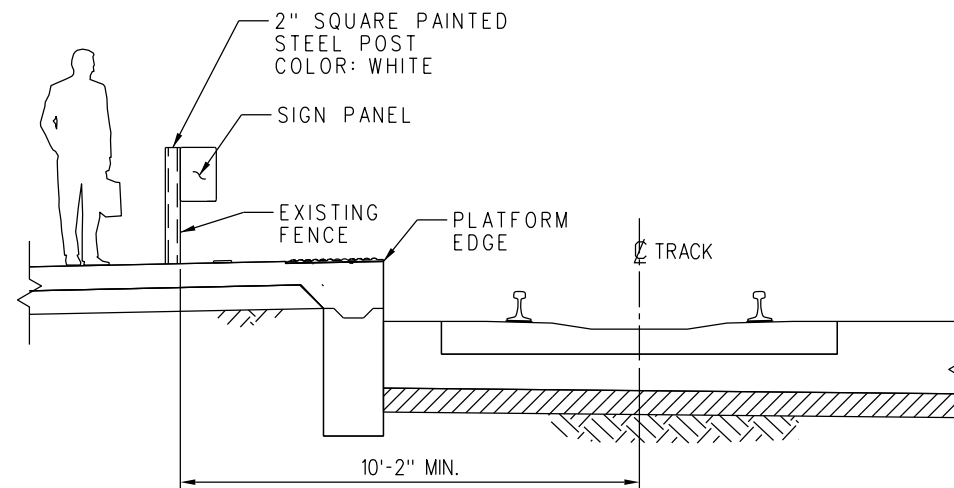
1. WHERE FENCE IS LOCATED LESS THAN 10'-2" FROM CENTERLINE OF TRACK, INSTALL TALL VERSION OF SIGN WITH SIGN PANEL POINTING AWAY FROM TRACK.
2. WHERE DISTANCE FROM CENTERLINE OF TRACK TO FENCE IS 10'-2" OR GREATER, INSTALL SHORT VERSION OF SIGN WITH SIGN PANEL POINTING TOWARD TRACK.



ELEVATION

EXISTING SIGN FLAG - HIGH MOUNT

SEE NOTE 1



ELEVATION

EXISTING SIGN FLAG - LOW MOUNT

SEE NOTE 2



REV.	DATE	DESCRIPTION	DES.	ENG.
A	05-29-20	REVISE DRAWING TITLE	AC	JMM

DRAWN BY:	A. CARLOS	DATE:	04/01/09
 PRINCIPAL ENGINEER, DESIGN & STANDARDS			
 ASSISTANT DIRECTOR, DESIGN			

SCRR ENGINEERING STANDARDS ARE INTENDED FOR SCRR APPROVED USES ONLY. FOR NON-SCRR APPROVED USES, SCRR SHALL NOT BE RESPONSIBLE FOR THE ACCURACY OR COMPLETENESS OF THE DATA OR INFORMATION CONTAINED HEREIN. THE SELECTION AND USE OF THESE STANDARDS IS THE SOLE RESPONSIBILITY OF THE USER AND SHOULD NOT BE USED WITHOUT CONSULTING A REGISTERED PROFESSIONAL ENGINEER. ALL WARRANTIES AND REPRESENTATIONS OF ANY KIND ARE DISCLAIMED. ANYONE MAKING USE OF THIS INFORMATION AGREES THAT IT ASSUMES ALL LIABILITY ARISING FROM SUCH USE. NO PART OF THESE STANDARDS SHOULD BE REPRODUCED OR DISTRIBUTED IN ANY FORM OR BY ANY MEANS WITHOUT THE PRIOR WRITTEN PERMISSION OF SCRR. ALL RIGHTS RESERVED.

METROLINK
 SOUTHERN CALIFORNIA REGIONAL RAIL AUTHORITY
 900 WILSHIRE BLVD., SUITE 1500, L. A., CA. 90017

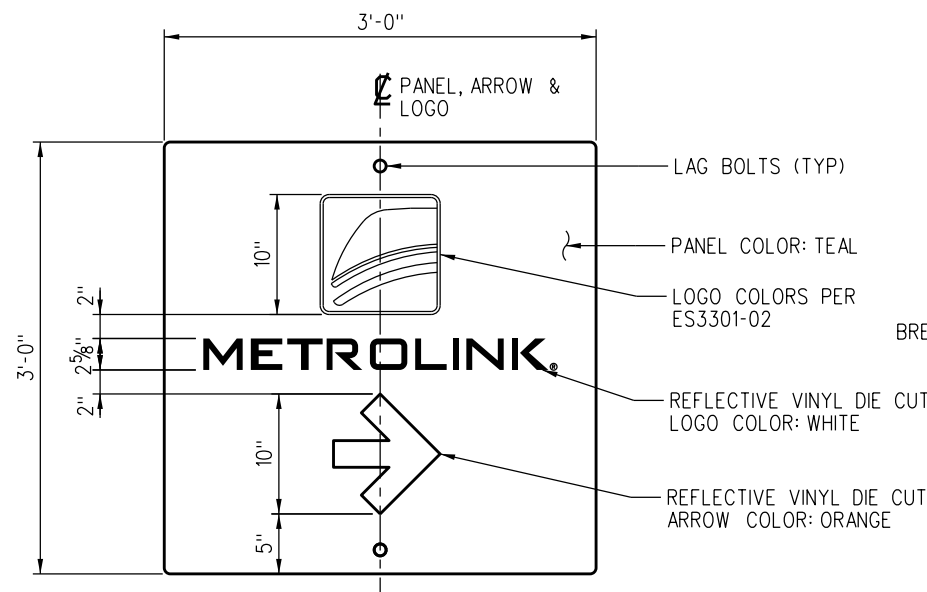
ENGINEERING STANDARDS

SIGN TYPE 3
 INFORMATION / RESTRICTIVE
 EXIT SIGN INSTALLATION DETAILS

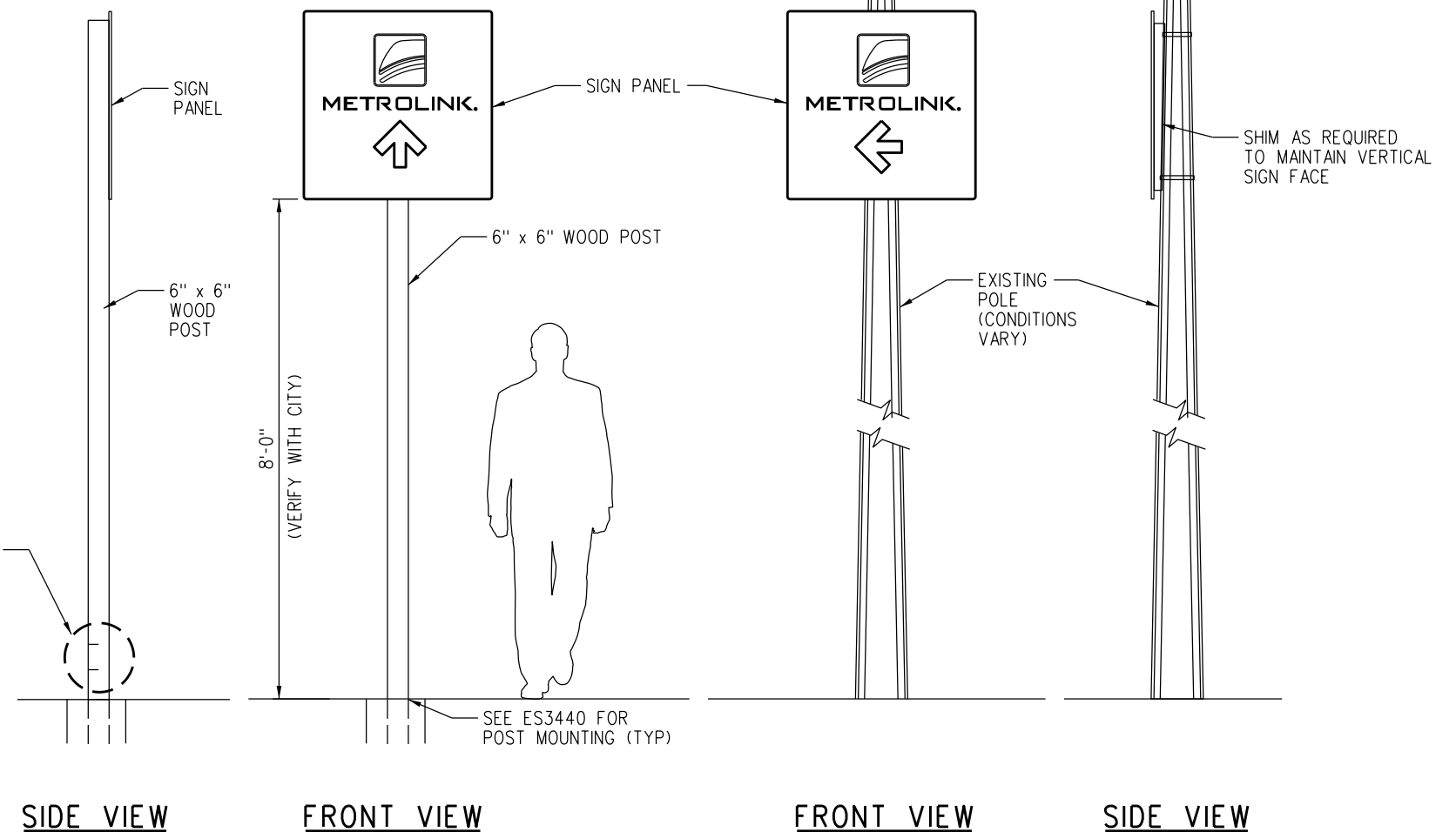
STANDARD	3307
SCALE:	NTS
REVISION SHEET	3 OF 3
CADD FILE:	ES3307-03

NOTES:

1. SIGN TO BE CONSTRUCTED OF 1/8" THICK ALUMINUM.
2. SPECIFIC COLORS OF THE COLORS NOTED ARE SPECIFIED ON ES3301-02.
3. FONTS, SYMBOLS AND ARROWS SHALL BE SILKSCREENED OR PAINTED, UNLESS NOTED OTHERWISE.
4. SEAL SIGN WITH TRANSPARENT ANTI-GRAFFITI FILM.
5. FOR SIGN MOUNTING DETAILS, SEE DETAILS ON ES3340.
6. ALL FASTENERS AND MOUNTINGS SHALL BE GALVANIZED OR STAINLESS STEEL AND PAINTED TO MATCH SURROUNDING COLOR.
7. CONTINUE PAINT COLOR USED ON FRONT SURFACE OF SIGNS TO SIDES. PAINT BACK OF PANEL WITH DOMINANT COLOR.



SIGN LAYOUT



CENTER MOUNT TO SQUARE POST

ELEVATIONS

SEE NOTE 5

CENTER MOUNT TO ROUND POLE



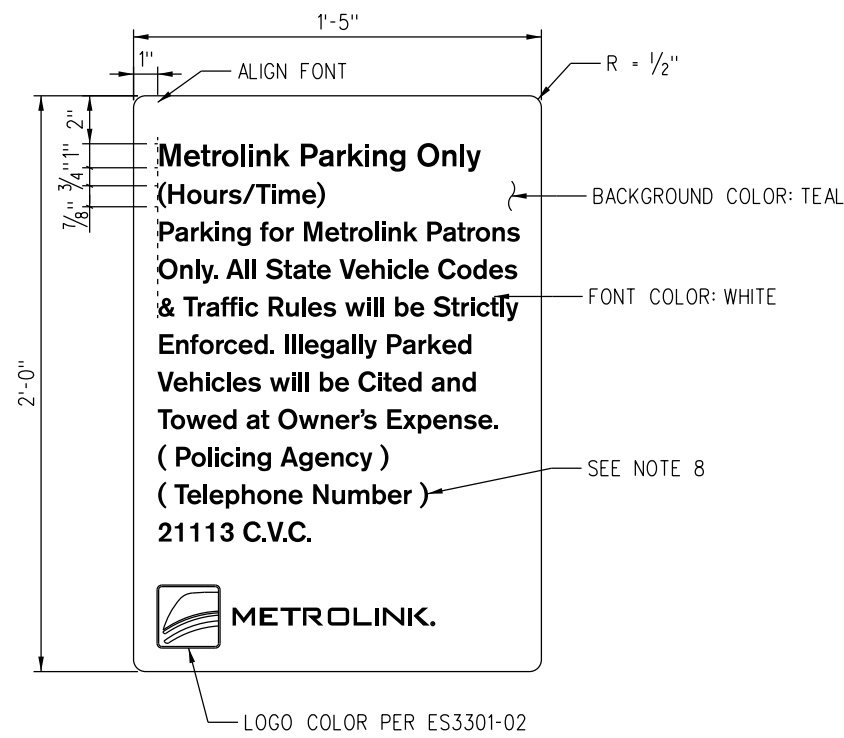
REV.	DATE	DESCRIPTION	DES.	ENG.
B	05-29-20	REVISE DRAWING TITLE	AC	JMM
A	03-23-17	REVISED COPY LAYOUT "A" AND ELEVATIONS	AC	DJM
DRAWN BY: A. CARLOS DATE: 04/01/09 PRINCIPAL ENGINEER, DESIGN & STANDARDS ASSISTANT DIRECTOR, DESIGN				

SCRRRA ENGINEERING STANDARDS ARE INTENDED FOR SCRRRA APPROVED USES ONLY. FOR NON-SCRRRA APPROVED USES, SCRRRA SHALL NOT BE RESPONSIBLE FOR THE ACCURACY OR COMPLETENESS OF THE DATA OR INFORMATION CONTAINED HEREIN. THE SELECTION AND USE OF THESE STANDARDS IS THE SOLE RESPONSIBILITY OF THE USER AND SHOULD NOT BE USED WITHOUT CONSULTING A REGISTERED PROFESSIONAL ENGINEER. ALL WARRANTIES AND REPRESENTATIONS OF ANY KIND ARE DISCLAIMED. ANYONE MAKING USE OF THIS INFORMATION AGREES THAT IT ASSUMES ALL LIABILITY ARISING FROM SUCH USE. NO PART OF THESE STANDARDS SHOULD BE REPRODUCED OR DISTRIBUTED IN ANY FORM OR BY ANY MEANS WITHOUT THE PRIOR WRITTEN PERMISSION OF SCRRRA. ALL RIGHTS RESERVED.

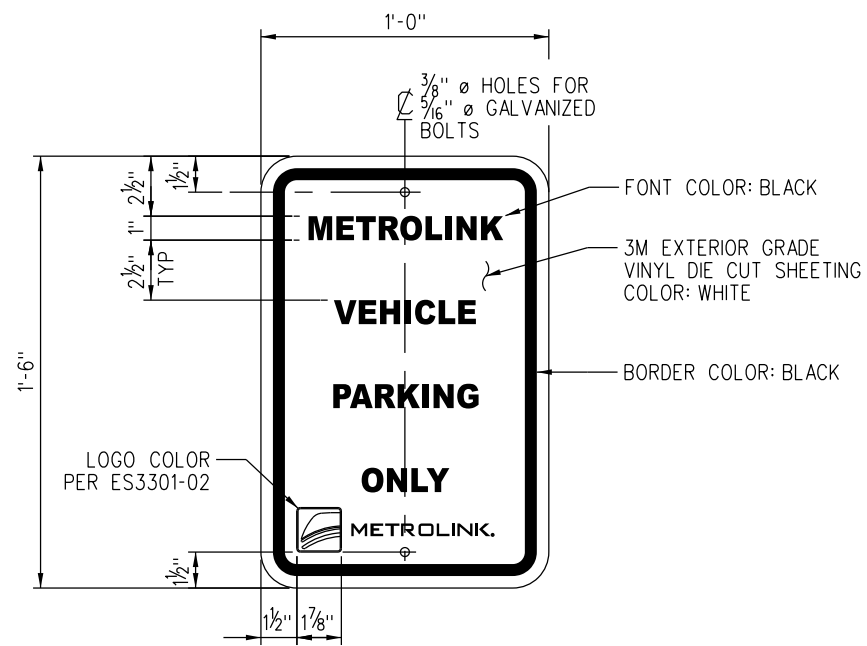
METROLINK
 SOUTHERN CALIFORNIA REGIONAL RAIL AUTHORITY
 900 WILSHIRE BLVD., SUITE 1500, L. A., CA. 90017

ENGINEERING STANDARDS
 SIGN TYPE 4
 TRAILBLAZER DIRECTIONAL SIGN

STANDARD	3308
SCALE:	NTS
REVISION SHEET	B 1 OF 1
CADD FILE:	ES3308



5-1E

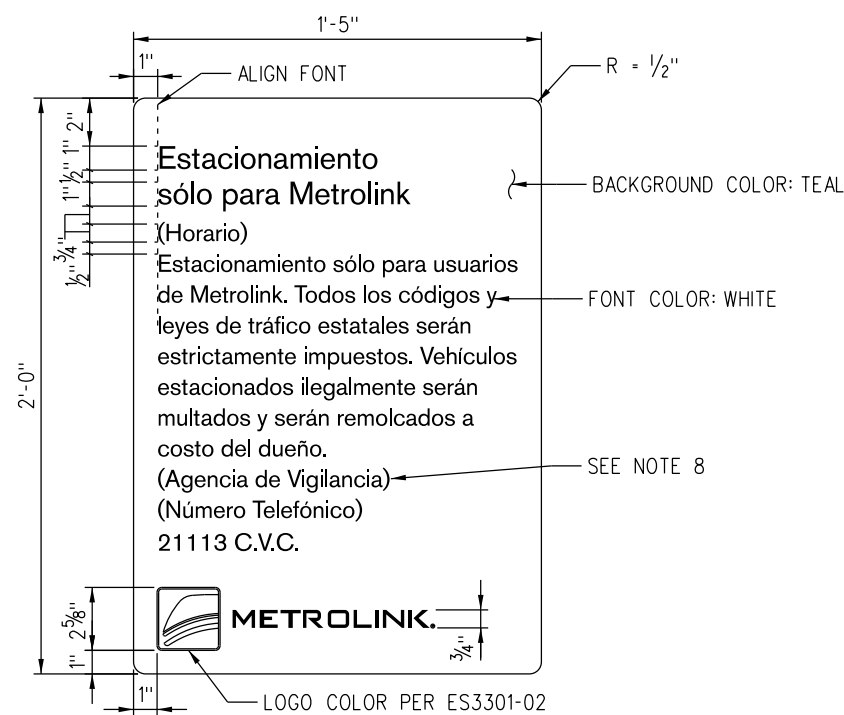


5-2

SIGN LAYOUT METROLINK VEHICLE PARKING ONLY

NOTES:

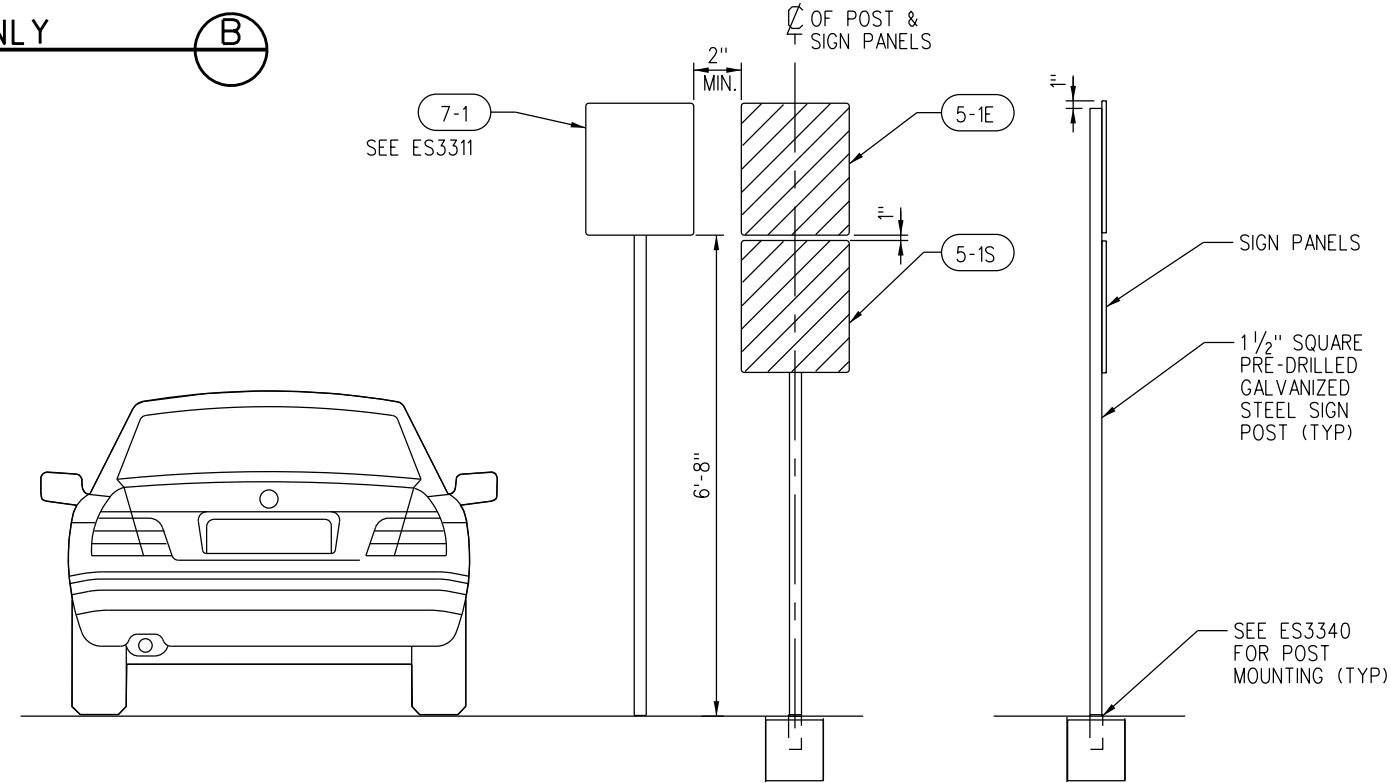
1. SIGN TO BE CONSTRUCTED OF 1/8" THICK ALUMINUM.
2. SPECIFIC COLORS OF THE COLORS NOTED ARE SPECIFIED ON ES3301-02.
3. FONTS, SYMBOLS AND ARROWS SHALL BE SILKSCREENED OR PAINTED, UNLESS OTHERWISE NOTED.
4. SEAL SIGN WITH TRANSPARENT ANTI-GRAFFITI FILM.
5. FOR SIGN MOUNTING DETAILS, SEE DETAILS ON ES3340.
6. ALL FASTENERS AND MOUNTINGS SHALL BE GALVANIZED OR STAINLESS STEEL AND PAINTED TO MATCH SURROUNDING COLOR.
7. CONTINUE PAINT COLOR USED ON FRONT SURFACE OF SIGNS TO SIDES. PAINT BACK OF PANEL WITH DOMINANT COLOR.
8. PHONE NUMBERS AND ADDRESS TO BE VERIFIED BY SCRRA AND CITY PRIOR TO FABRICATION.



5-1S

SIGN LAYOUT

A



FRONT VIEW

SIDE VIEW

CENTER MOUNT TO SQUARE POST

ELEVATIONS

SEE NOTE 5

C

REV.	DATE	DESCRIPTION	DES.	ENG.
B	05-29-20	REVISE NOTES, DETAILS & DRAWING TITLE	AC	JMM
A	03-23-17	REVISED COPY LAYOUTS "A" & "C"	AC	DJM

DRAWN BY: A. CARLOS DATE: 04/01/09
 SCRRA ENGINEERING STANDARDS ARE INTENDED FOR SCRRA APPROVED USES ONLY. FOR NON-SCRRA APPROVED USES, SCRRA SHALL NOT BE RESPONSIBLE FOR THE ACCURACY OR COMPLETENESS OF THE DATA OR INFORMATION CONTAINED HEREIN. THE SELECTION AND USE OF THESE STANDARDS IS THE SOLE RESPONSIBILITY OF THE USER AND SHOULD NOT BE USED WITHOUT CONSULTING A REGISTERED PROFESSIONAL ENGINEER. ALL WARRANTIES AND REPRESENTATIONS OF ANY KIND ARE DISCLAIMED. ANYONE MAKING USE OF THIS INFORMATION AGREES THAT IT ASSUMES ALL LIABILITY ARISING FROM SUCH USE. NO PART OF THESE STANDARDS SHOULD BE REPRODUCED OR DISTRIBUTED IN ANY FORM OR BY ANY MEANS WITHOUT THE PRIOR WRITTEN PERMISSION OF SCRRA. ALL RIGHTS RESERVED.

METROLINK
 SOUTHERN CALIFORNIA REGIONAL RAIL AUTHORITY
 900 WILSHIRE BLVD., SUITE 1500, L. A., CA. 90017

ENGINEERING STANDARDS
 SIGN TYPE 5
 PARKING RESTRICTIVE SIGN
 POLE MOUNTED

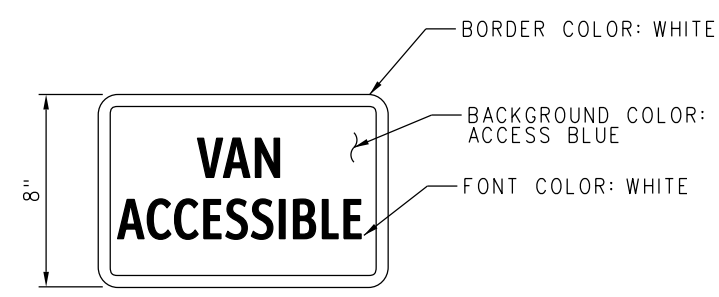
STANDARD	3309
SCALE:	NTS
REVISION SHEET	B 1 OF 1
CADD FILE:	ES3309

NOTES:

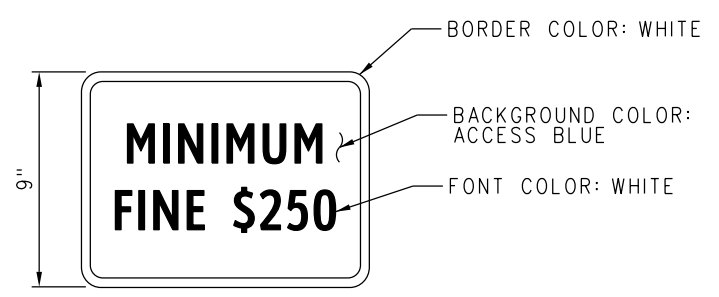
1. SIGN TO BE CONSTRUCTED OF 1/8" THICK ALUMINUM.
2. SPECIFIC COLORS OF THE COLORS NOTED ARE SPECIFIED ON ES3301-02.
3. FONTS, SYMBOLS AND ARROWS SHALL BE SILKSCREENED OR PAINTED, UNLESS OTHERWISE NOTED.
4. SEAL SIGN WITH TRANSPARENT ANTI-GRAFFITI FILM.
5. FOR SIGN MOUNTING DETAILS, SEE DETAILS ON ES3340.
6. ALL FASTENERS AND MOUNTINGS SHALL BE GALVANIZED OR STAINLESS STEEL AND PAINTED TO MATCH SURROUNDING COLOR.
7. SIGN AND FINISHES SHALL CONFORM TO CALIFORNIA ACCESIBILITY STANDARDS.
8. OTHER PROPOSED ACCESSIBILITY PARKING SIGNS MUST COMPLY WITH THE AMERICANS WITH DISABILITIES ACT (ADA) ACCESSIBILITY GUIDELINES AND CALIFORNIA ACCESSIBILITY REGULATIONS CONTAINED IN TITLE 24, CALIFORNIA CODE OF REGULATIONS.



6-1



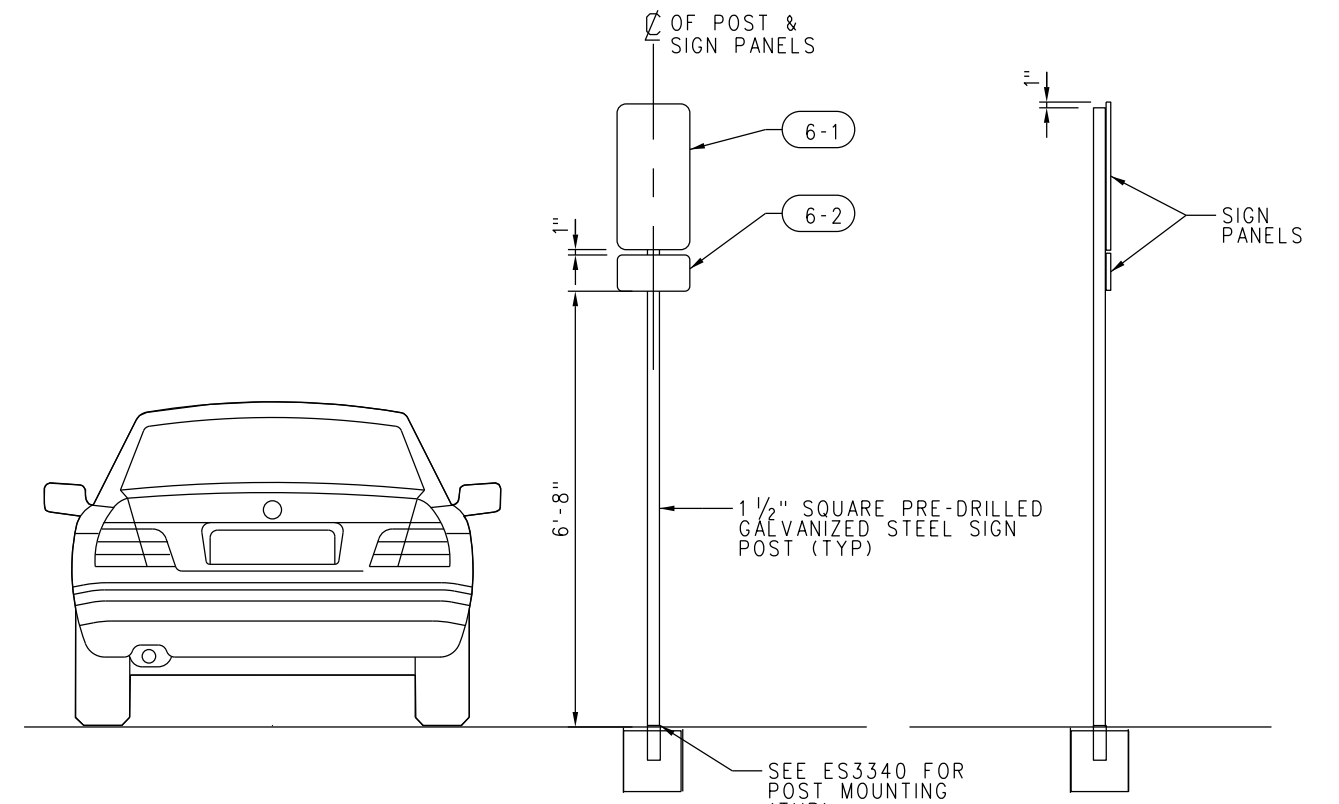
6-2



6-3

NOTE: THIS SIGN ATTACHES TO POST 1" BELOW BOTTOM EDGE OF EXISTING ACCESSIBLE PARKING ONLY SIGNS

SIGN LAYOUTS



FRONT VIEW

SIDE VIEW

CENTER MOUNT TO SQUARE POST

ELEVATIONS
SEE NOTE 5



REV.	DATE	DESCRIPTION	DES.	ENG.
A	05-29-20	REVISED DETAILS AND DRAWING TITLE	AC	JMM

SCRR ENGINEERING STANDARDS ARE INTENDED FOR SCRR APPROVED USES ONLY. FOR NON-SCRR APPROVED USES, SCRR SHALL NOT BE RESPONSIBLE FOR THE ACCURACY OR COMPLETENESS OF THE DATA OR INFORMATION CONTAINED HEREIN. THE SELECTION AND USE OF THESE STANDARDS IS THE SOLE RESPONSIBILITY OF THE USER AND SHOULD NOT BE USED WITHOUT CONSULTING A REGISTERED PROFESSIONAL ENGINEER. ALL WARRANTIES AND REPRESENTATIONS OF ANY KIND ARE DISCLAIMED. ANYONE MAKING USE OF THIS INFORMATION AGREES THAT IT ASSUMES ALL LIABILITY ARISING FROM SUCH USE. NO PART OF THESE STANDARDS SHOULD BE REPRODUCED OR DISTRIBUTED IN ANY FORM OR BY ANY MEANS WITHOUT THE PRIOR WRITTEN PERMISSION OF SCRR. ALL RIGHTS RESERVED.

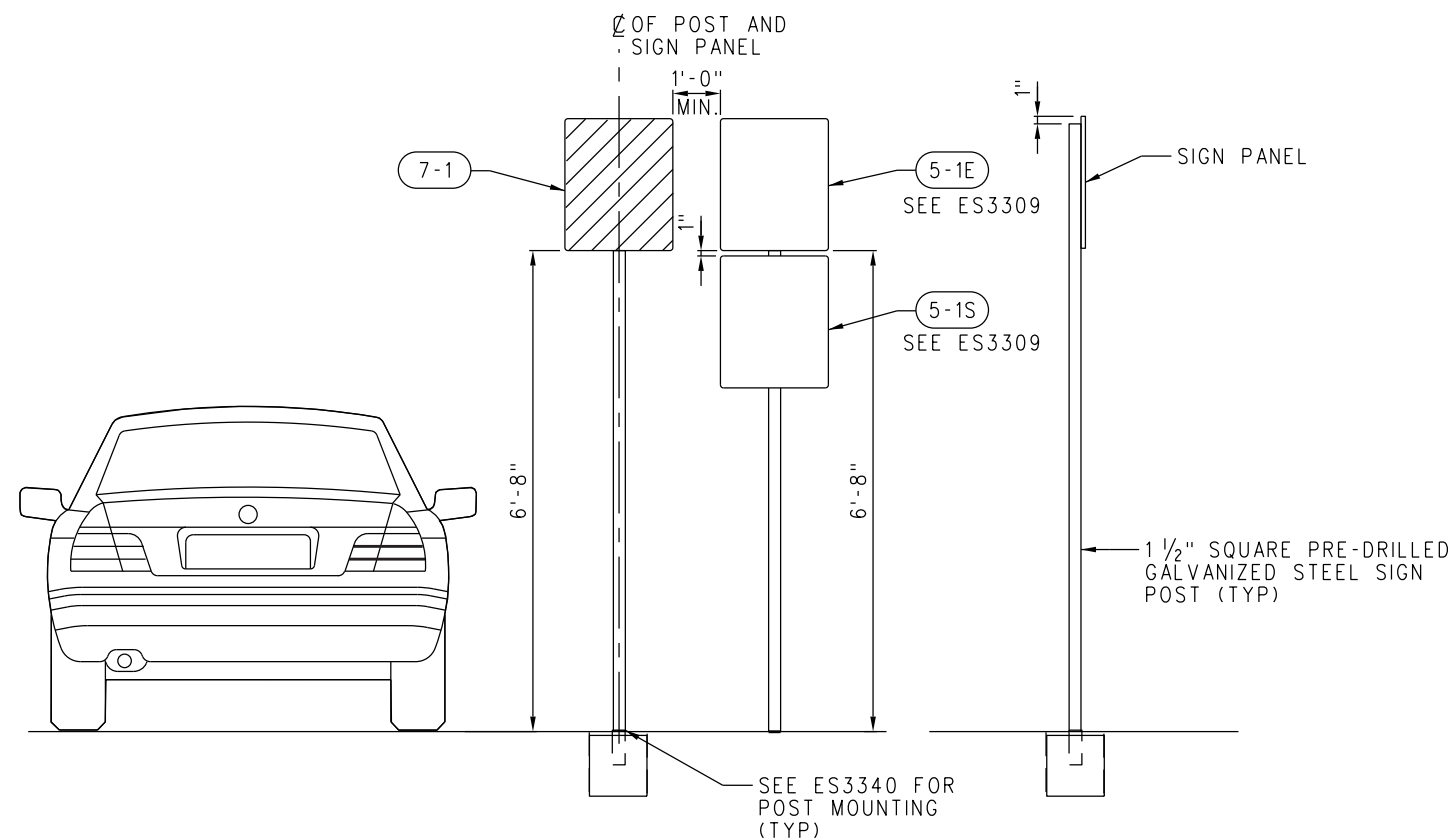
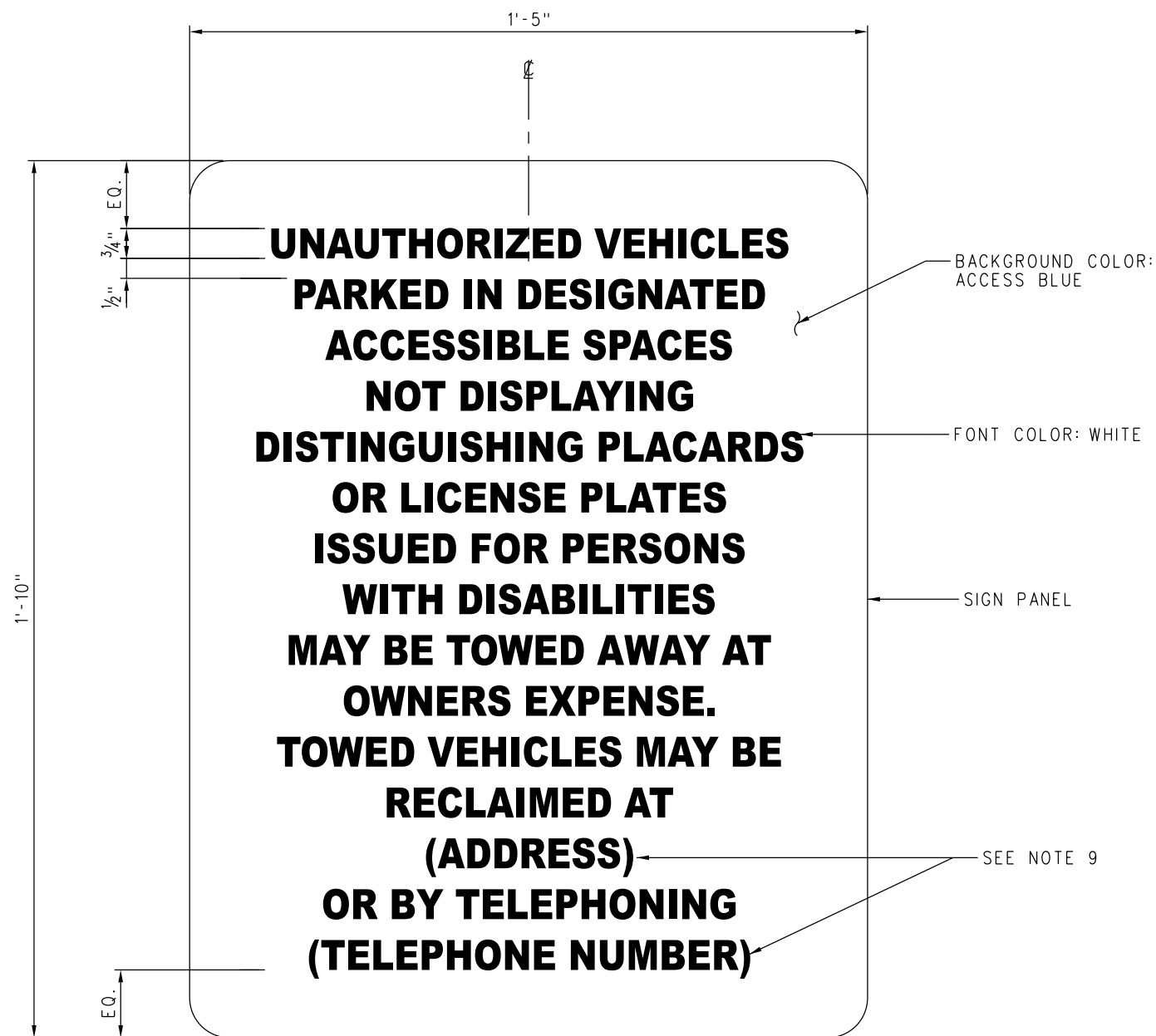
METROLINK
SOUTHERN CALIFORNIA REGIONAL RAIL AUTHORITY
900 WILSHIRE BLVD., SUITE 1500, L. A., CA. 90017

ENGINEERING STANDARDS
SIGN TYPE 6
ACCESSIBLE PARKING
IDENTIFICATION SIGN

STANDARD	3310
SCALE:	NTS
REVISION SHEET	A 1 OF 1
CADD FILE:	ES3310

NOTES:

1. SIGN TO BE CONSTRUCTED OF 1/8" THICK ALUMINUM.
2. SPECIFIC COLORS OF THE COLORS NOTED ARE SPECIFIED ON ES3301-02.
3. FONTS, SYMBOLS AND ARROWS SHALL BE SILKSCREENED OR PAINTED, UNLESS OTHERWISE NOTED.
4. SEAL SIGN WITH TRANSPARENT ANTI-GRAFFITI FILM.
5. FOR SIGN MOUNTING DETAILS, SEE DETAILS ON ES3340.
6. ALL FASTENERS AND MOUNTINGS SHALL BE GALVANIZED OR STAINLESS STEEL AND PAINTED TO MATCH SURROUNDING COLOR.
7. SIGN AND FINISHES SHALL CONFORM TO CALIFORNIA ACCESSIBILITY STANDARDS.
8. OTHER PROPOSED ACCESSIBILITY PARKING SIGNS MUST COMPLY WITH THE AMERICANS WITH DISABILITIES ACT (ADA) ACCESSIBILITY GUIDELINES AND CALIFORNIA ACCESSIBILITY REGULATIONS CONTAINED IN TITLE 24, CALIFORNIA CODE OF REGULATIONS.
9. PHONE NUMBERS AND ADDRESSES TO BE VERIFIED BY SCRRRA AND CITY PRIOR TO FABRICATION.



FRONT VIEW

SIDE VIEW

CENTER MOUNT TO SQUARE POST

ELEVATIONS
SEE NOTE 5

SIGN LAYOUT

REV.	DATE	DESCRIPTION	DES.	ENG.
A	05-29-20	REVISED DETAILS, NOTES & DRAWING TITLE	AC	JMM

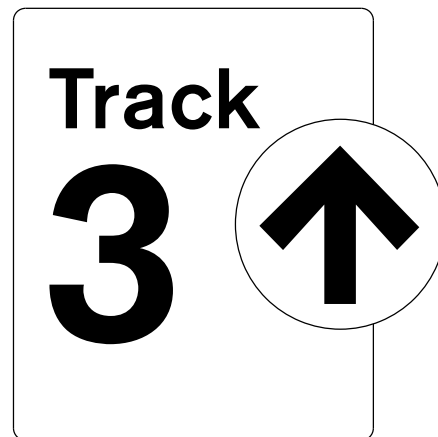
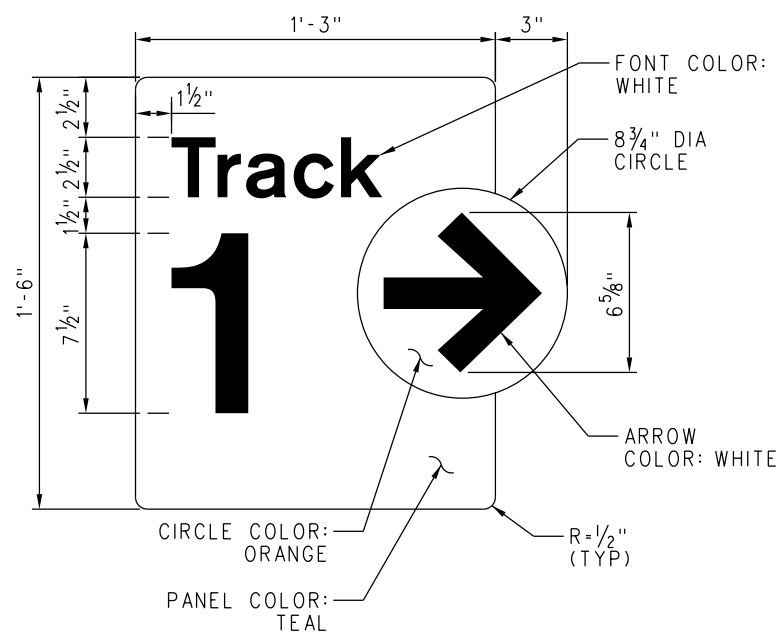
DRAWN BY:	A. CARLOS	DATE:	04/01/09
 PRINCIPAL ENGINEER, DESIGN & STANDARDS			
 ASSISTANT DIRECTOR, DESIGN			

SCRRRA ENGINEERING STANDARDS ARE INTENDED FOR SCRRRA APPROVED USES ONLY. FOR NON-SCRRRA APPROVED USES, SCRRRA SHALL NOT BE RESPONSIBLE FOR THE ACCURACY OR COMPLETENESS OF THE DATA OR INFORMATION CONTAINED HEREIN. THE SELECTION AND USE OF THESE STANDARDS IS THE SOLE RESPONSIBILITY OF THE USER AND SHOULD NOT BE USED WITHOUT CONSULTING A REGISTERED PROFESSIONAL ENGINEER. ALL WARRANTIES AND REPRESENTATIONS OF ANY KIND ARE DISCLAIMED. ANYONE MAKING USE OF THIS INFORMATION AGREES THAT IT ASSUMES ALL LIABILITY ARISING FROM SUCH USE. NO PART OF THESE STANDARDS SHOULD BE REPRODUCED OR DISTRIBUTED IN ANY FORM OR BY ANY MEANS WITHOUT THE PRIOR WRITTEN PERMISSION OF SCRRRA. ALL RIGHTS RESERVED.

METROLINK
SOUTHERN CALIFORNIA REGIONAL RAIL AUTHORITY
900 WILSHIRE BLVD., SUITE 1500, L. A., CA. 90017

ENGINEERING STANDARDS	
SIGN TYPE 7 ACCESSIBLE PARKING INFORMATION SIGN	

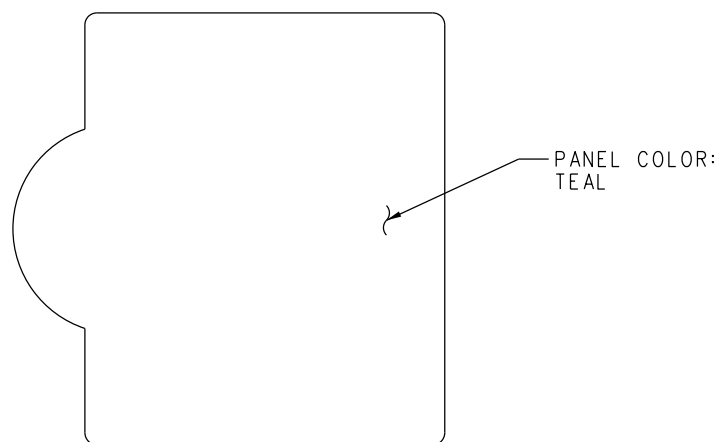
STANDARD	3311
SCALE:	NTS
REVISION SHEET	A 1 OF 1
CADD FILE:	ES3311



(8-1)

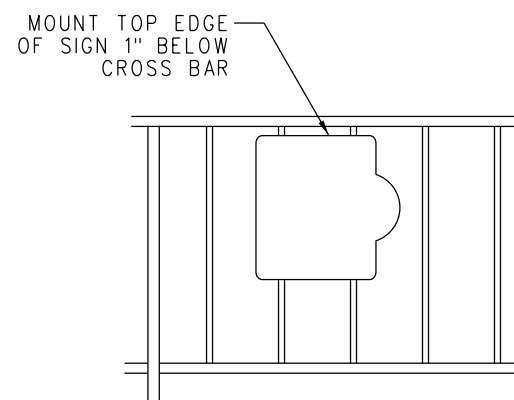
SIGN LAYOUT - FACE PANEL

(A)

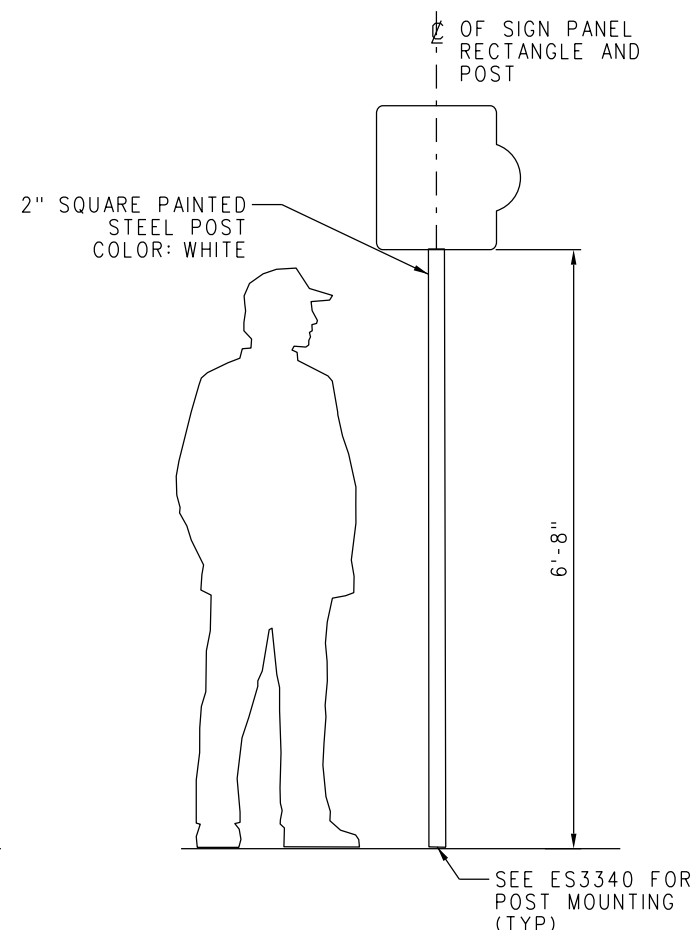


SIGN LAYOUT
BACK PANEL

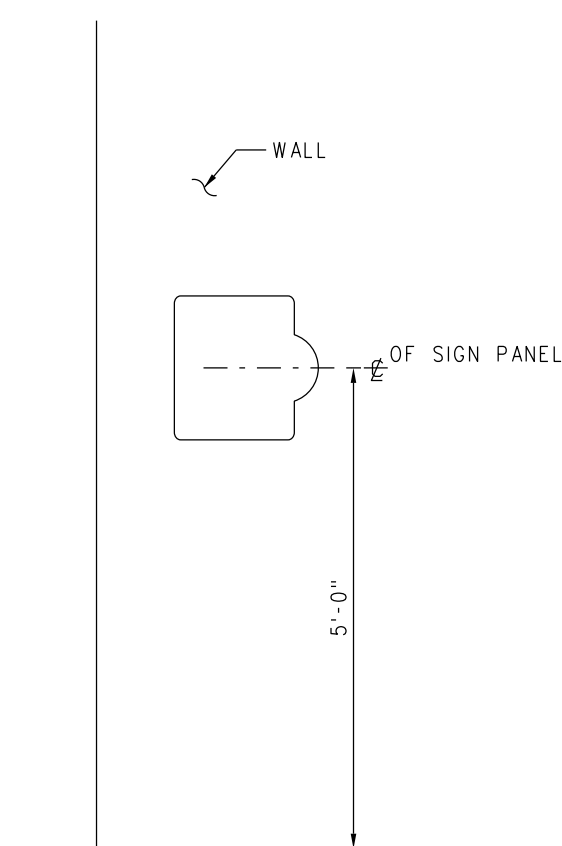
(B)



FENCE MOUNT (LOW FENCE)



CENTER MOUNT TO SQUARE POST



FLUSH MOUNT TO WALL/
FENCE MOUNT (HIGH FENCE)

ELEVATIONS
SEE NOTE 5

(C)

NOTES:

1. SIGN TO BE CONSTRUCTED OF 1/8" THICK ALUMINUM.
2. SPECIFIC COLORS OF THE COLORS NOTED ARE SPECIFIED ON ES3301-02.
3. FONTS, SYMBOLS AND ARROWS SHALL BE SILKSCREENED OR PAINTED, UNLESS OTHERWISE NOTED.
4. SEAL SIGN WITH TRANSPARENT ANTI-GRAFFITI FILM.
5. FOR SIGN MOUNTING DETAILS, SEE DETAILS ON ES3340.
6. ALL FASTENERS AND MOUNTINGS SHALL BE GALVANIZED OR STAINLESS STEEL AND PAINTED TO MATCH SURROUNDING COLOR.
7. CONTINUE PAINT COLOR USED ON FRONT SURFACE OF SIGNS TO SIDES. PAINT BACK OF PANEL WITH DOMINANT COLOR.

REV.	DATE	DESCRIPTION	DES.	ENG.
A	05-29-20	REVISED DETAILS, NOTES AND DRAWING TITLE	AC	JMM

DRAWN BY: A. CARLOS DATE: 04/01/09

PRINCIPAL ENGINEER, DESIGN & STANDARDS

ASSISTANT DIRECTOR, DESIGN

SCRR ENGINEERING STANDARDS ARE INTENDED FOR SCRR APPROVED USES ONLY. FOR NON-SCRR APPROVED USES, SCRR SHALL NOT BE RESPONSIBLE FOR THE ACCURACY OR COMPLETENESS OF THE DATA OR INFORMATION CONTAINED HEREIN. THE SELECTION AND USE OF THESE STANDARDS IS THE SOLE RESPONSIBILITY OF THE USER AND SHOULD NOT BE USED WITHOUT CONSULTING A REGISTERED PROFESSIONAL ENGINEER. ALL WARRANTIES AND REPRESENTATIONS OF ANY KIND ARE DISCLAIMED. ANYONE MAKING USE OF THIS INFORMATION AGREES THAT IT ASSUMES ALL LIABILITY ARISING FROM SUCH USE. NO PART OF THESE STANDARDS SHOULD BE REPRODUCED OR DISTRIBUTED IN ANY FORM OR BY ANY MEANS WITHOUT THE PRIOR WRITTEN PERMISSION OF SCRR. ALL RIGHTS RESERVED.

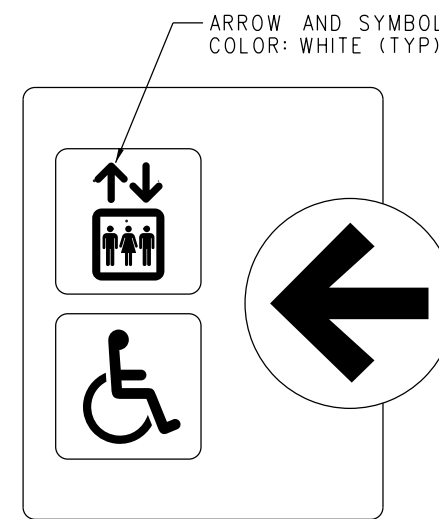
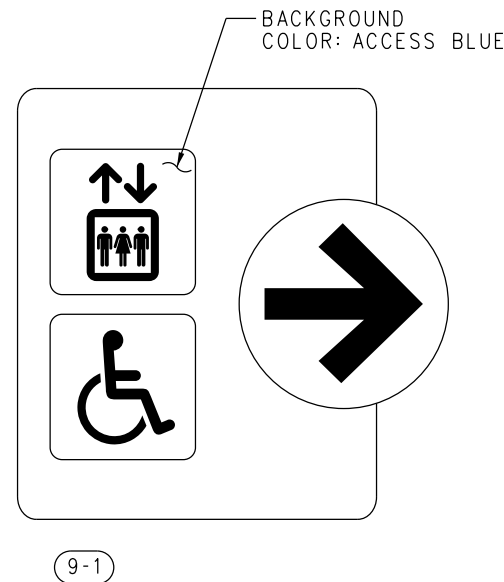
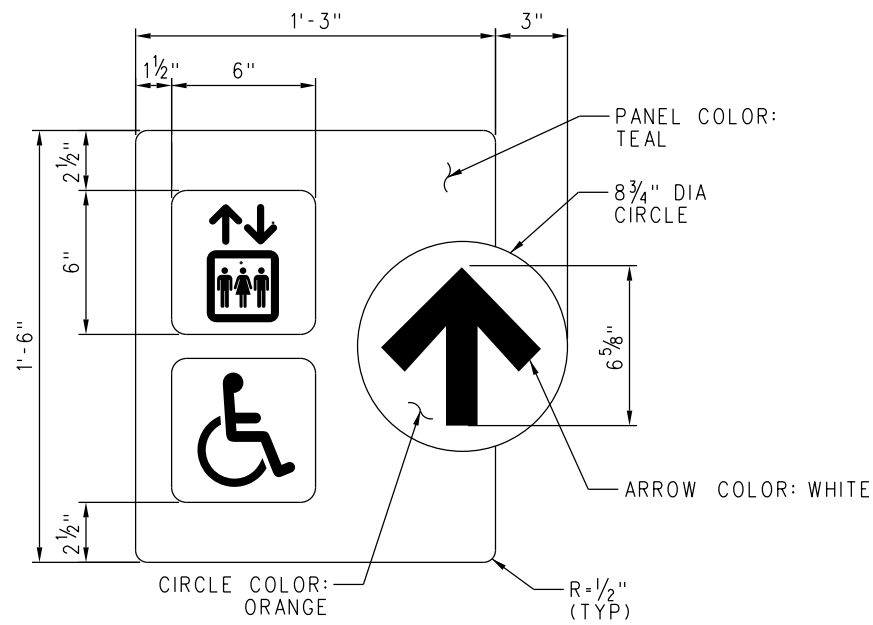
METROLINK

SOUTHERN CALIFORNIA REGIONAL RAIL AUTHORITY
900 WILSHIRE BLVD., SUITE 1500, L. A., CA. 90017

ENGINEERING STANDARDS

SIGN TYPE 8
TRACK DIRECTIONAL SIGN

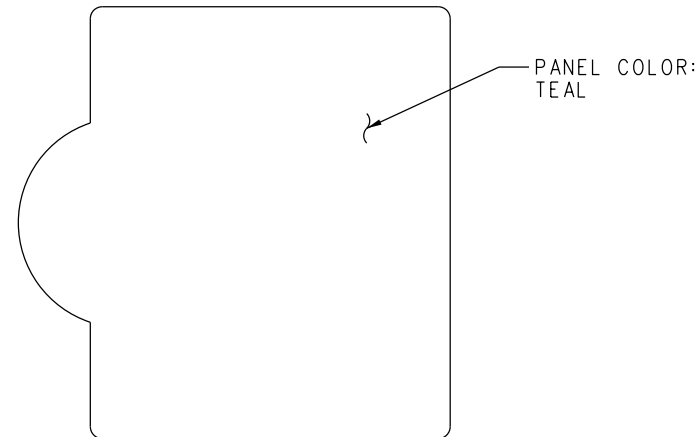
STANDARD	3314
SCALE:	NTS
REVISION SHEET	1 OF 1
CADD FILE:	ES3314



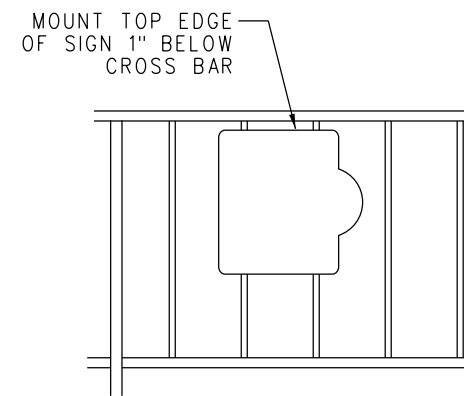
NOTES:

1. SIGN TO BE CONSTRUCTED OF 1/8" THICK ALUMINUM.
2. SPECIFIC COLORS OF THE COLORS NOTED ARE SPECIFIED ON ES3301-02.
3. FONTS, SYMBOLS AND ARROWS SHALL BE SILKSCREENED OR PAINTED, UNLESS OTHERWISE NOTED.
4. SEAL SIGN WITH TRANSPARENT ANTI-GRAFFITI FILM.
5. FOR SIGN MOUNTING DETAILS, SEE DETAILS ON ES3340.
6. ALL FASTENERS AND MOUNTINGS SHALL BE GALVANIZED OR STAINLESS STEEL AND PAINTED TO MATCH SURROUNDING COLOR.
7. CONTINUE PAINT COLOR USED ON FRONT SURFACE OF SIGNS TO SIDES. PAINT BACK OF PANEL WITH DOMINANT COLOR.

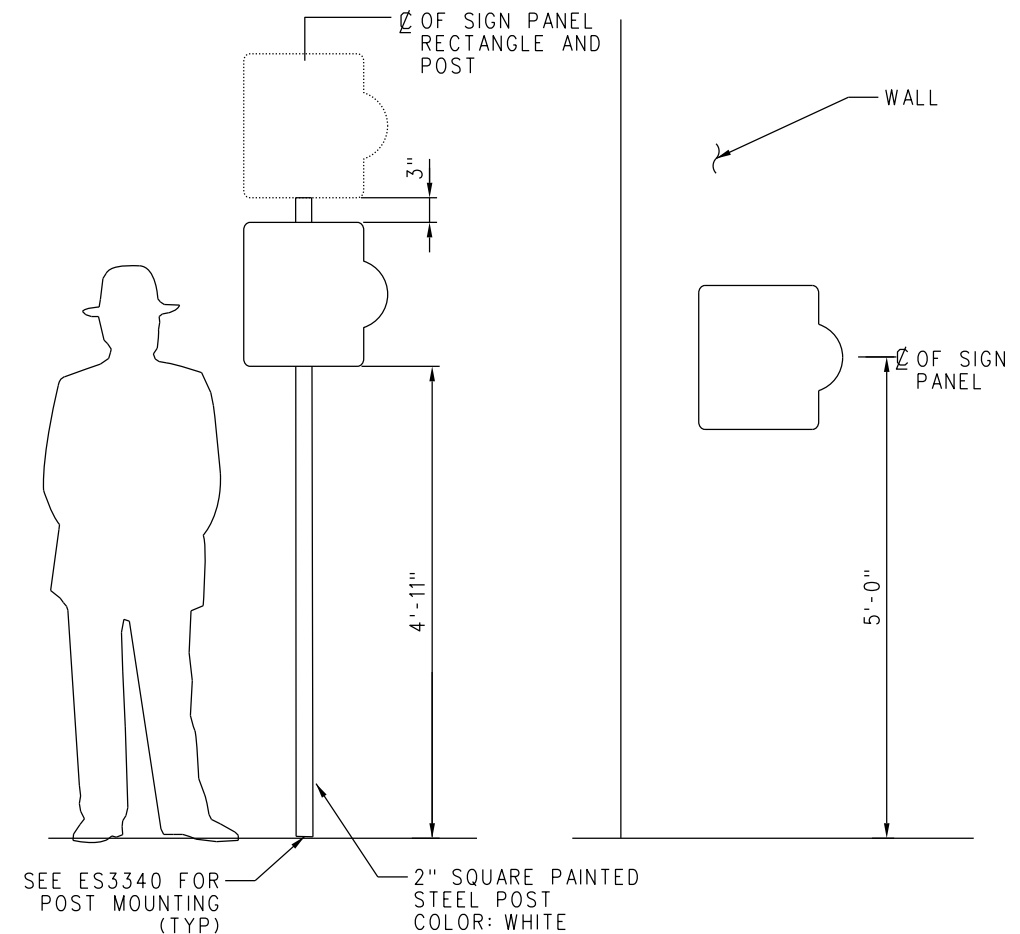
**SIGN LAYOUT
FACE PANEL**



**SIGN LAYOUT
BACK PANEL**



FENCE MOUNT (LOW FENCE)



SEE ES3340 FOR POST MOUNTING (TYP)

2" SQUARE PAINTED STEEL POST COLOR: WHITE

CENTER MOUNT TO SQUARE POST

**FLUSH MOUNT TO WALL/
FENCE MOUNT (HIGH FENCE)**

ELEVATIONS
SEE NOTE 5



REV.	DATE	DESCRIPTION	DES.	ENG.
A	05-29-20	REVISED DETAILS, NOTES AND DRAWING TITLE	AC	JMM

DRAWN BY: A. CARLOS DATE: 04/01/09
 PRINCIPAL ENGINEER, DESIGN & STANDARDS
 ASSISTANT DIRECTOR, DESIGN

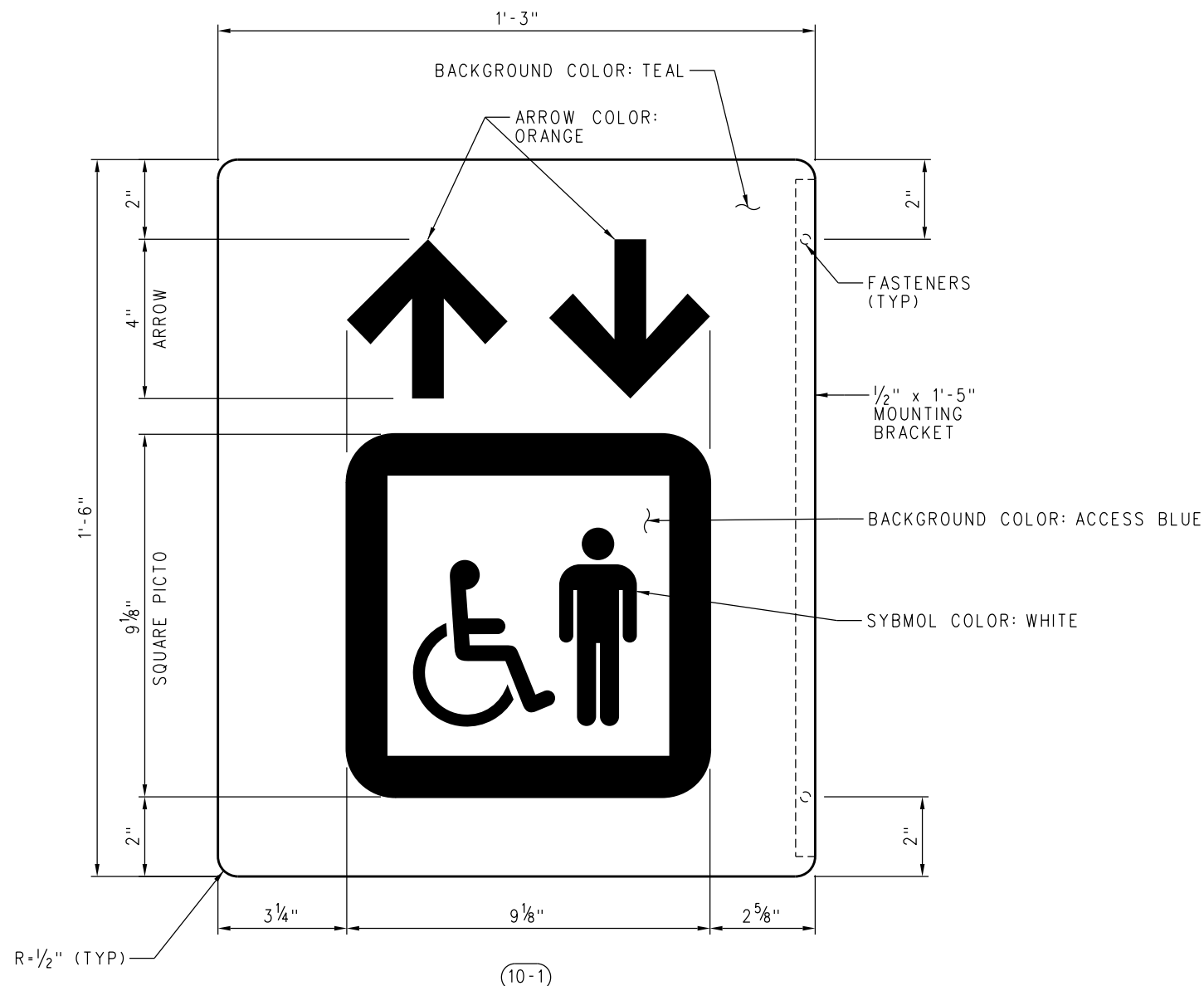
METROLINK
 SOUTHERN CALIFORNIA REGIONAL RAIL AUTHORITY
 900 WILSHIRE BLVD., SUITE 1500, L. A., CA. 90017

ENGINEERING STANDARDS
 SIGN TYPE 9
 ELEVATOR DIRECTIONAL SIGN

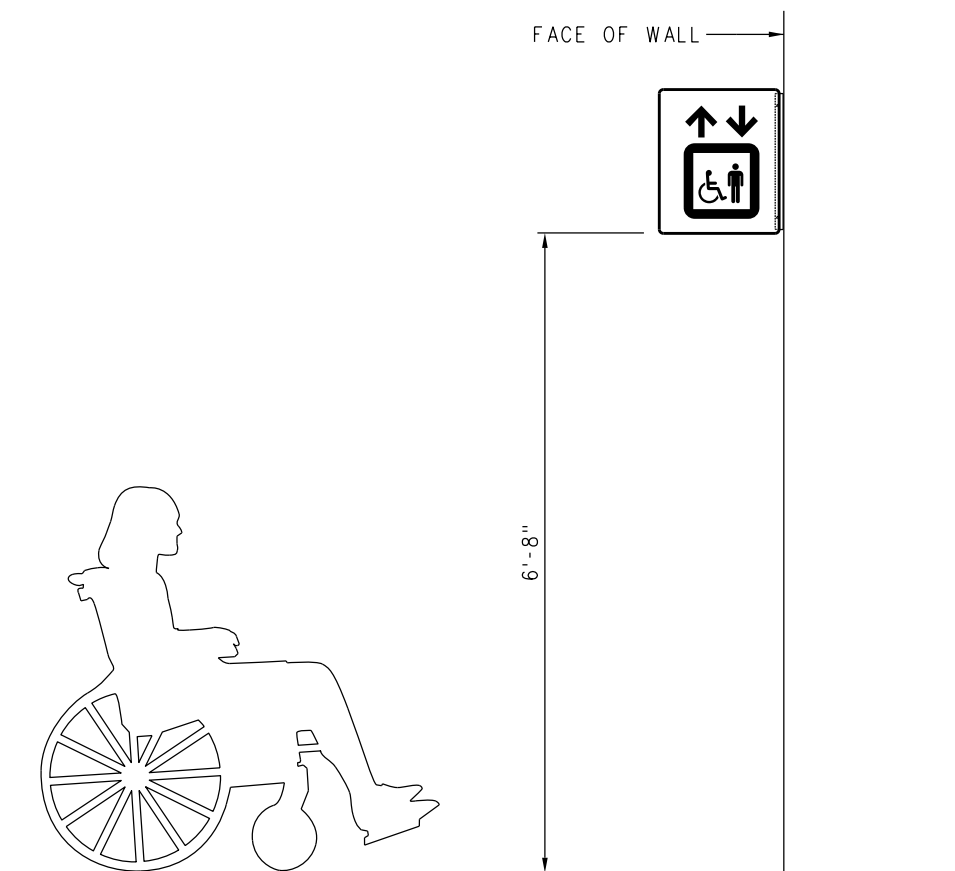
STANDARD	3315
SCALE:	NTS
REVISION SHEET	1 OF 1
CADD FILE:	ES3315

NOTES:

1. SIGN TO BE CONSTRUCTED OF 1/8" THICK ALUMINUM.
2. SPECIFIC COLORS OF THE COLORS NOTED ARE SPECIFIED ON ES3301-02.
3. FONTS, SYMBOLS AND ARROWS SHALL BE SILKSCREENED OR PAINTED, UNLESS OTHERWISE NOTED.
4. SEAL SIGN WITH TRANSPARENT ANTI-GRAFFITI FILM.
5. FOR SIGN MOUNTING DETAILS, SEE DETAILS ON ES3340.
6. ALL FASTENERS AND MOUNTINGS SHALL BE GALVANIZED OR STAINLESS STEEL AND PAINTED TO MATCH SURROUNDING COLOR.



10-1



FLAG MOUNT TO MASONRY WALL

SIGN LAYOUT - DOUBLE SIDED



ELEVATION
SEE NOTE 5



REV.	DATE	DESCRIPTION	DES.	ENG.
A	05-29-20	REVISE SIGN NUMBER AND DRAWING TITLE	AC	JMM

DRAWN BY: A. CARLOS DATE: 04/01/09

PRINCIPAL ENGINEER, DESIGN & STANDARDS

ASSISTANT DIRECTOR, DESIGN

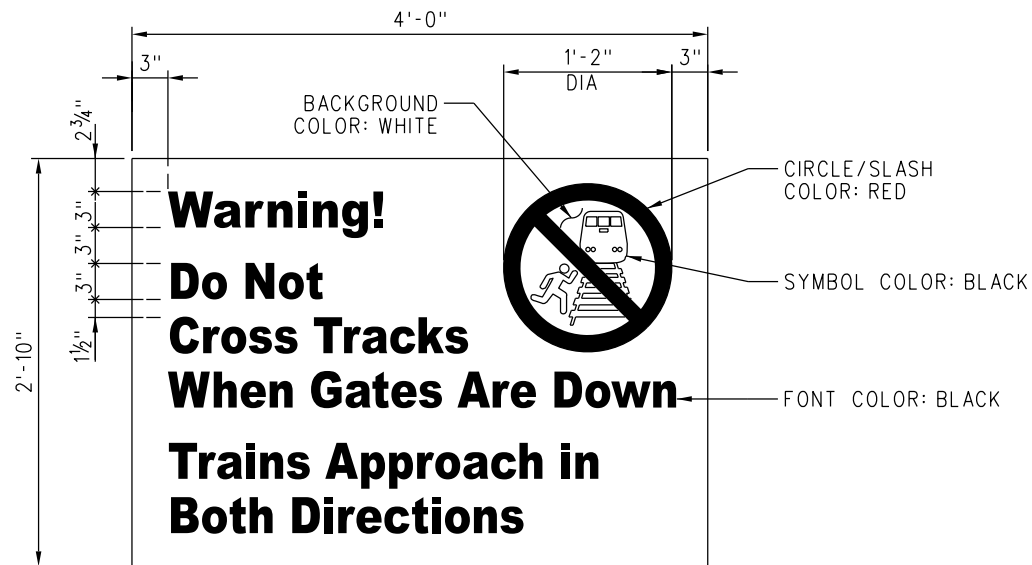
SCRR ENGINEERING STANDARDS ARE INTENDED FOR SCRR APPROVED USES ONLY. FOR NON-SCRR APPROVED USES, SCRR SHALL NOT BE RESPONSIBLE FOR THE ACCURACY OR COMPLETENESS OF THE DATA OR INFORMATION CONTAINED HEREIN. THE SELECTION AND USE OF THESE STANDARDS IS THE SOLE RESPONSIBILITY OF THE USER AND SHOULD NOT BE USED WITHOUT CONSULTING A REGISTERED PROFESSIONAL ENGINEER. ALL WARRANTIES AND REPRESENTATIONS OF ANY KIND ARE DISCLAIMED. ANYONE MAKING USE OF THIS INFORMATION AGREES THAT IT ASSUMES ALL LIABILITY ARISING FROM SUCH USE. NO PART OF THESE STANDARDS SHOULD BE REPRODUCED OR DISTRIBUTED IN ANY FORM OR BY ANY MEANS WITHOUT THE PRIOR WRITTEN PERMISSION OF SCRR. ALL RIGHTS RESERVED.

METROLINK

SOUTHERN CALIFORNIA REGIONAL RAIL AUTHORITY
900 WILSHIRE BLVD., SUITE 1500, L. A., CA. 90017

ENGINEERING STANDARDS	
SIGN TYPE 10 ELEVATOR IDENTIFICATION SIGN FLAG MOUNTED	

STANDARD	3316
SCALE:	NTS
REVISION SHEET	A 1 OF 1
CADD FILE:	ES3316

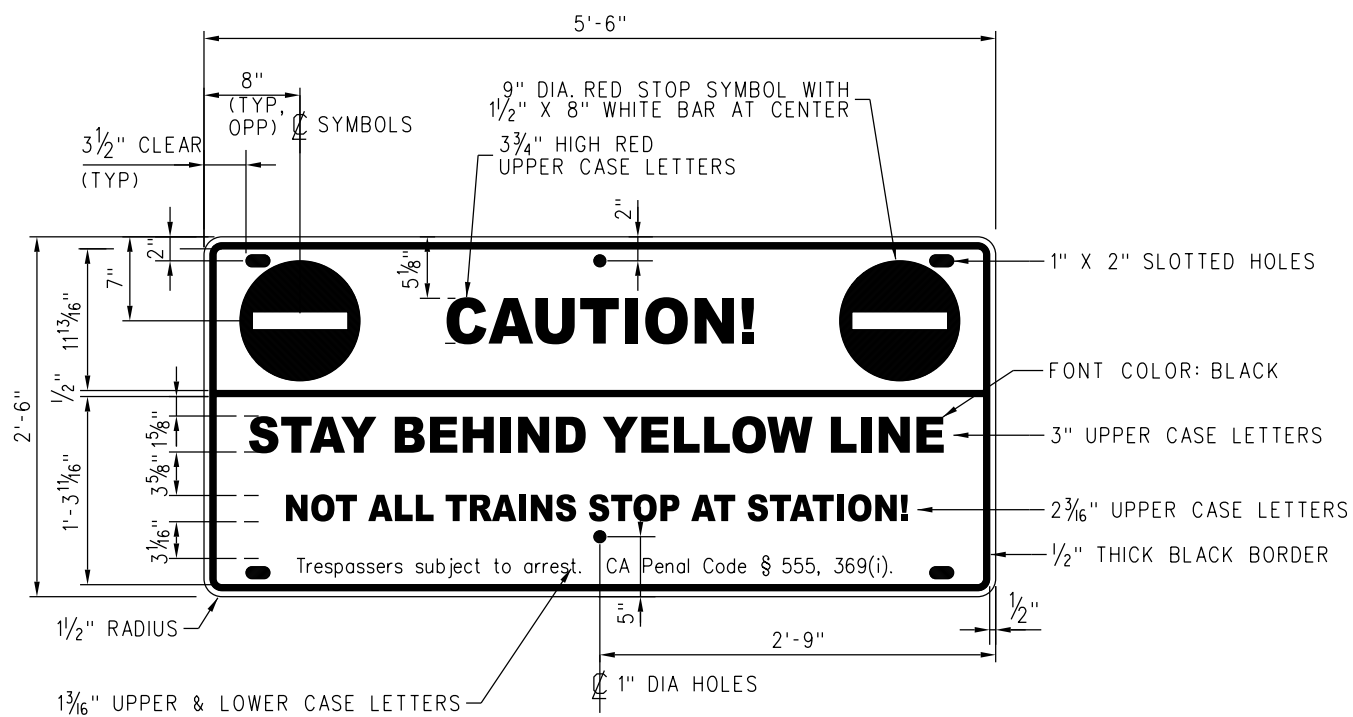


(11-1)

CROSSING WARNING SIGN

NOTES:

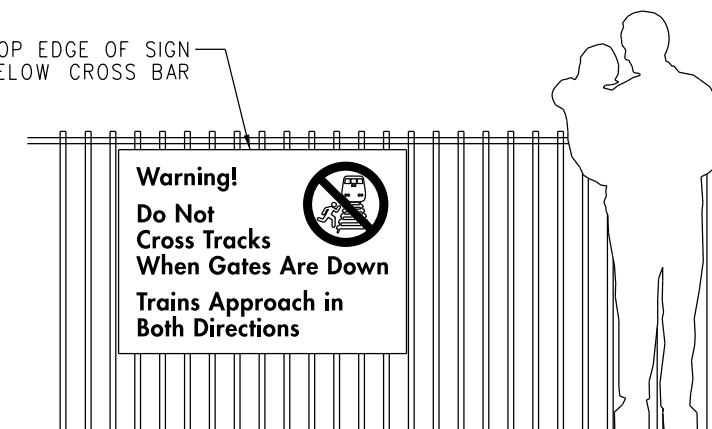
1. SIGN TO BE CONSTRUCTED OF 1/8" THICK ALUMINUM.
2. SPECIFIC COLORS OF THE COLORS NOTED ARE SPECIFIED ON ES3301-02.
3. FONTS, SYMBOLS AND ARROWS SHALL BE SILKSCREENED OR PAINTED, UNLESS OTHERWISE NOTED.
4. SEAL SIGN WITH TRANSPARENT ANTI-GRAFFITI FILM.
5. FOR SIGN MOUNTING DETAILS, SEE DETAILS ON ES3340.
6. ALL FASTENERS AND MOUNTINGS SHALL BE GALVANIZED OR STAINLESS STEEL AND PAINTED TO MATCH SURROUNDING COLOR.
7. SIGN 11-2 SPECIFIC NOTES:
 - A. SIGN FILM/SHEETING TO BE 3M HIGH INTENSITY PRISMATIC SERIES 3930-WHITE.
 - B. SIGN TO BE COATED WITH 3M 1160 PREMIUM PROTECTIVE OVERLAY.
 - C. SIGNS TO BE PLACED STARTING 50 FEET AWAY FROM NEAREST PEDESTRIAN CROSSING, ADDITIONAL SIGNS TO BE SPACED 100 FEET APART AS NEEDED ALONG FENCING TO COVER ENTIRE LENGTH OF PLATFORM.
 - D. FOR STATIONS THAT DO NOT HAVE INTERTRACK FENCING, SIGNS ARE TO BE LOCATED ON STATION PLATFORM AT LOCATIONS CLEARLY VISIBLE TO ALL PASSENGERS AND PEDESTRIANS.



(11-2)

CAUTION SIGN
SEE NOTE 7

MOUNT TOP EDGE OF SIGN
1" BELOW CROSS BAR



FENCE MOUNT

SIGN LAYOUT



ELEVATION
SEE NOTE 5



REV.	DATE	DESCRIPTION	DES.	ENG.
C	05-29-20	REVISE DETAILS, SIGN NUMBER, NOTES & DRAWING TITLE	AC	JMM
B	08-30-12	REVISED NOTE 2	AC	NDP
A	04/11/11	ADDED DETAIL "C" AND NOTES	AC	NDP

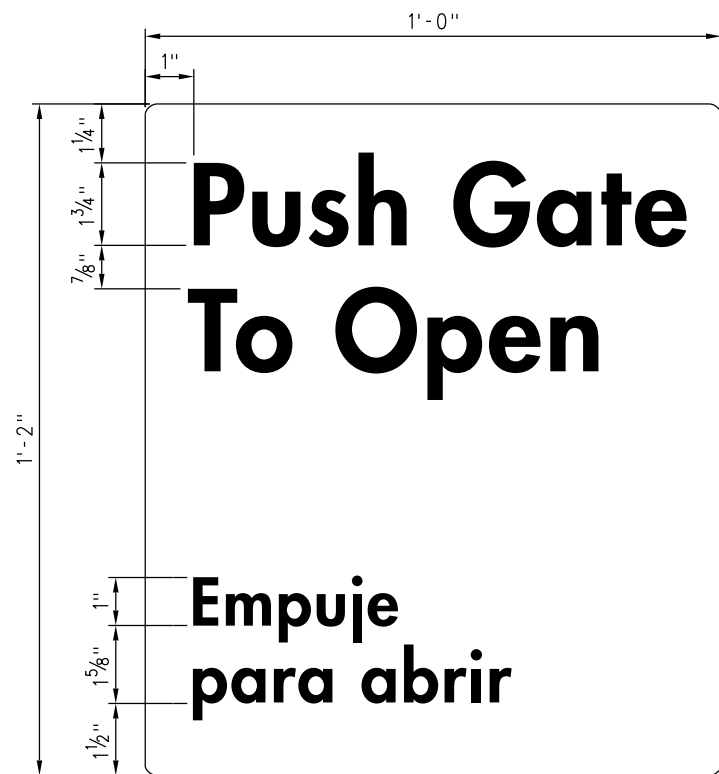
DRAWN BY:	A. CARLOS	DATE:	03/31/2011
 PRINCIPAL ENGINEER, DESIGN & STANDARDS			
 ASSISTANT DIRECTOR, DESIGN			

SCRR ENGINEERING STANDARDS ARE INTENDED FOR SCRR APPROVED USES ONLY. FOR NON-SCRR APPROVED USES, SCRR SHALL NOT BE RESPONSIBLE FOR THE ACCURACY OR COMPLETENESS OF THE DATA OR INFORMATION CONTAINED HEREIN. THE SELECTION AND USE OF THESE STANDARDS IS THE SOLE RESPONSIBILITY OF THE USER AND SHOULD NOT BE USED WITHOUT CONSULTING A REGISTERED PROFESSIONAL ENGINEER. ALL WARRANTIES AND REPRESENTATIONS OF ANY KIND ARE DISCLAIMED. ANYONE MAKING USE OF THIS INFORMATION AGREES THAT IT ASSUMES ALL LIABILITY ARISING FROM SUCH USE. NO PART OF THESE STANDARDS SHOULD BE REPRODUCED OR DISTRIBUTED IN ANY FORM OR BY ANY MEANS WITHOUT THE PRIOR WRITTEN PERMISSION OF SCRR. ALL RIGHTS RESERVED.

METROLINK
SOUTHERN CALIFORNIA REGIONAL RAIL AUTHORITY
900 WILSHIRE BLVD., SUITE 1500, L. A., CA. 90017

ENGINEERING STANDARDS
SIGN TYPE 11
PEDESTRIAN WARNING SIGNS
AT STATION PLATFORMS

STANDARD	3317
SCALE:	NTS
REVISION SHEET	C 1 OF 1
CADD FILE:	ES3317



12-1



12-2



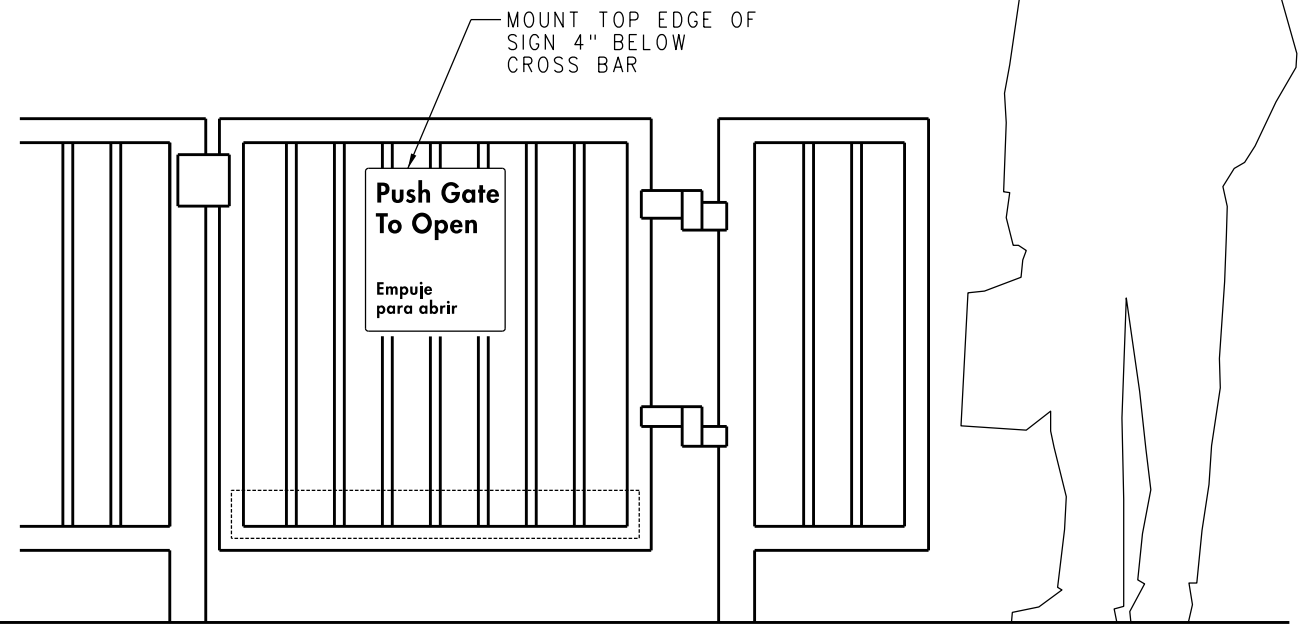
12-3

SIGN LAYOUT

A

NOTES:

1. SIGN TO BE CONSTRUCTED OF 1/8" THICK ALUMINUM.
2. SPECIFIC COLORS OF THE COLORS NOTED ARE SPECIFIED ON ES3301-02.
3. FONTS, SYMBOLS AND ARROWS SHALL BE SILKSCREENED OR PAINTED, UNLESS OTHERWISE NOTED.
4. SEAL SIGN WITH TRANSPARENT ANTI-GRAFFITI FILM.
5. FOR SIGN MOUNTING DETAILS, SEE DETAILS ON ES3340.
6. ALL FASTENERS AND MOUNTINGS SHALL BE GALVANIZED OR STAINLESS STEEL AND PAINTED TO MATCH SURROUNDING COLOR.
7. SEE ES4002-01 FOR SIGN SELECTION CRITERIA AT GATES.



ELEVATION
SEE NOTE 5

FENCE MOUNT

B

REV.	DATE	DESCRIPTION	DES.	ENG.
A	05-29-20	REVISED DETAILS, NOTES AND DRAWING TITLE	AC	JMM

DRAWN BY: A. CARLOS DATE: 04/01/09

A. Carlos
PRINCIPAL ENGINEER, DESIGN & STANDARDS

Charles C. ...
ASSISTANT DIRECTOR, DESIGN

SCRR ENGINEERING STANDARDS ARE INTENDED FOR SCRR APPROVED USES ONLY. FOR NON-SCRR APPROVED USES, SCRR SHALL NOT BE RESPONSIBLE FOR THE ACCURACY OR COMPLETENESS OF THE DATA OR INFORMATION CONTAINED HEREIN. THE SELECTION AND USE OF THESE STANDARDS IS THE SOLE RESPONSIBILITY OF THE USER AND SHOULD NOT BE USED WITHOUT CONSULTING A REGISTERED PROFESSIONAL ENGINEER. ALL WARRANTIES AND REPRESENTATIONS OF ANY KIND ARE DISCLAIMED. ANYONE MAKING USE OF THIS INFORMATION AGREES THAT IT ASSUMES ALL LIABILITY ARISING FROM SUCH USE. NO PART OF THESE STANDARDS SHOULD BE REPRODUCED OR DISTRIBUTED IN ANY FORM OR BY ANY MEANS WITHOUT THE PRIOR WRITTEN PERMISSION OF SCRR. ALL RIGHTS RESERVED.

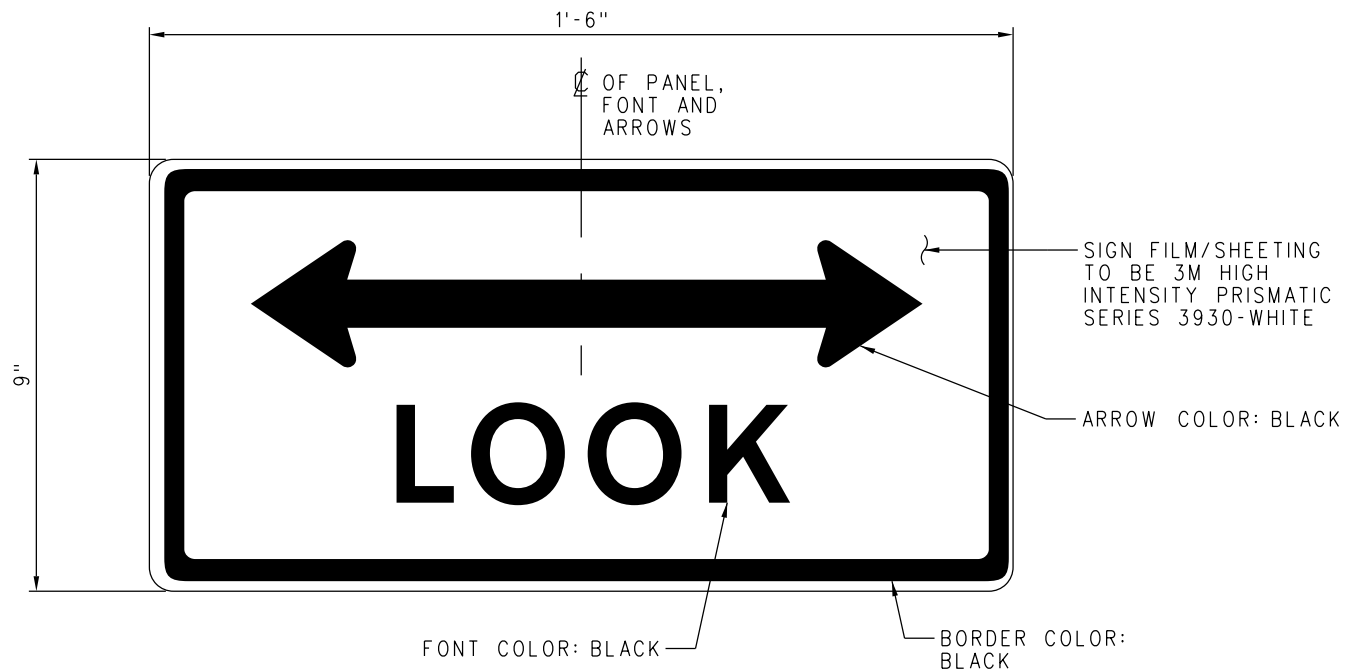
METROLINK

SOUTHERN CALIFORNIA REGIONAL RAIL AUTHORITY
900 WILSHIRE BLVD., SUITE 1500, L. A., CA. 90017

ENGINEERING STANDARDS

SIGN TYPE 12
PEDESTRIAN DIRECTIONAL SIGN
GATE MOUNTED

STANDARD	3318
SCALE:	NTS
REVISION SHEET	1 OF 1
CADD FILE:	ES3318



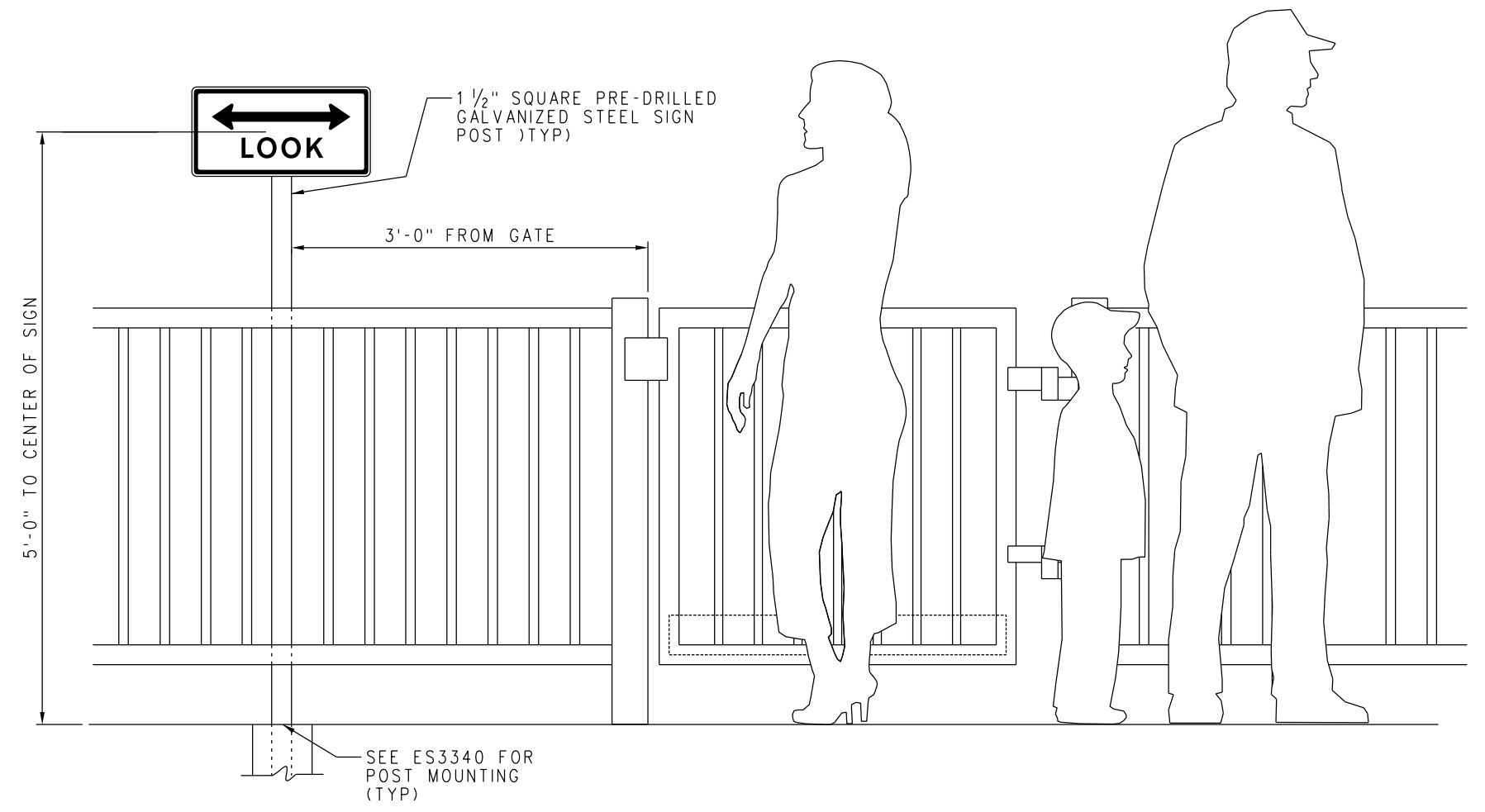
13-1

SIGN LAYOUT



NOTES:

1. SIGN TO BE CONSTRUCTED OF 1/8" THICK ALUMINUM.
2. SPECIFIC COLORS OF THE COLORS NOTED ARE SPECIFIED ON ES3301-02.
3. FONTS, SYMBOLS AND ARROWS SHALL BE SILKSCREENED OR PAINTED, UNLESS OTHERWISE NOTED.
4. SEAL SIGN WITH TRANSPARENT ANTI-GRAFFITI FILM.
5. FOR SIGN MOUNTING DETAILS, SEE DETAILS ON ES3340.
6. ALL FASTENERS AND MOUNTINGS SHALL BE GALVANIZED OR STAINLESS STEEL AND PAINTED TO MATCH SURROUNDING COLOR.



CENTER MOUNT TO SQUARE POST

ELEVATION
SEE NOTE 5



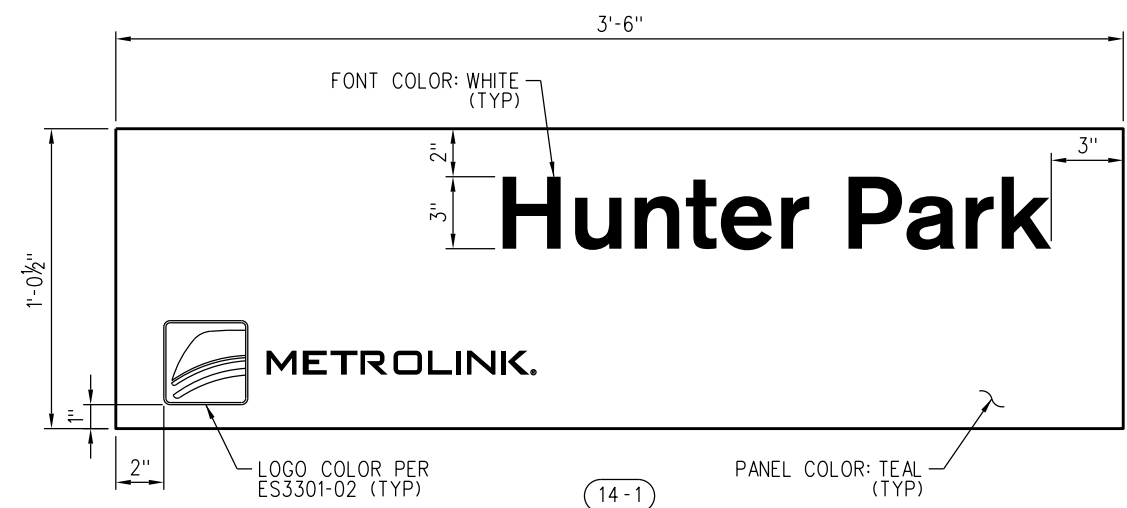
REV.	DATE	DESCRIPTION	DES.	ENG.
B	05-29-20	REVISE SIGN NUMBER AND DRAWING TITLE	AC	JMM
A	11-15-16	REVISED DETAIL B	AC	NDP

DRAWN BY: A. CARLOS DATE: 04/01/09
 SCRR ENGINEERING STANDARDS ARE INTENDED FOR SCRR APPROVED USES ONLY. FOR NON-SCRR APPROVED USES, SCRR SHALL NOT BE RESPONSIBLE FOR THE ACCURACY OR COMPLETENESS OF THE DATA OR INFORMATION CONTAINED HEREIN. THE SELECTION AND USE OF THESE STANDARDS IS THE SOLE RESPONSIBILITY OF THE USER AND SHOULD NOT BE USED WITHOUT CONSULTING A REGISTERED PROFESSIONAL ENGINEER. ALL WARRANTIES AND REPRESENTATIONS OF ANY KIND ARE DISCLAIMED. ANYONE MAKING USE OF THIS INFORMATION AGREES THAT IT ASSUMES ALL LIABILITY ARISING FROM SUCH USE. NO PART OF THESE STANDARDS SHOULD BE REPRODUCED OR DISTRIBUTED IN ANY FORM OR BY ANY MEANS WITHOUT THE PRIOR WRITTEN PERMISSION OF SCRR. ALL RIGHTS RESERVED.

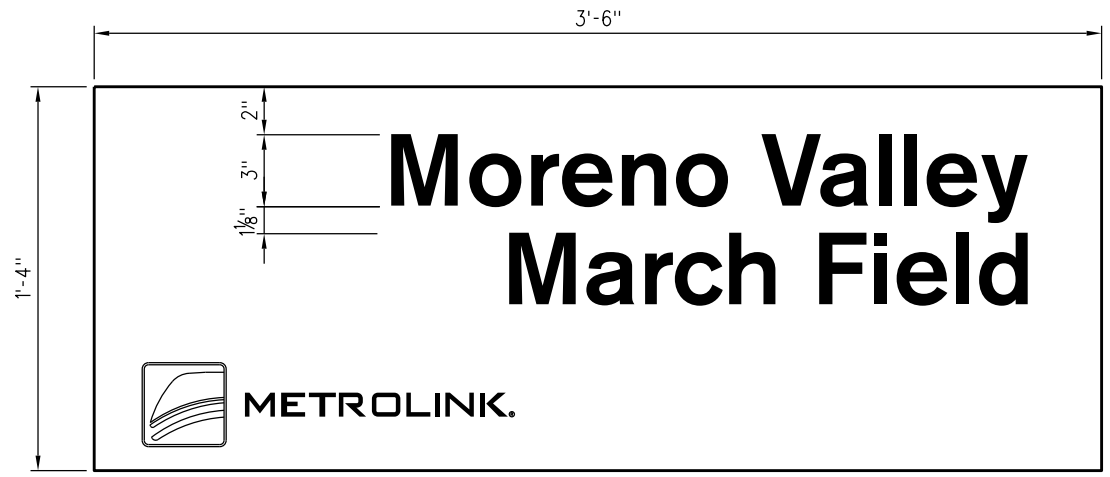
METROLINK
 SOUTHERN CALIFORNIA REGIONAL RAIL AUTHORITY
 900 WILSHIRE BLVD., SUITE 1500, L. A., CA. 90017

ENGINEERING STANDARDS
 SIGN TYPE 13
 PEDESTRIAN DIRECTIONAL LOOK SIGN
 POST MOUNTED

STANDARD	3319
SCALE:	NTS
REVISION SHEET	B 1 OF 1
CADD FILE:	ES3319

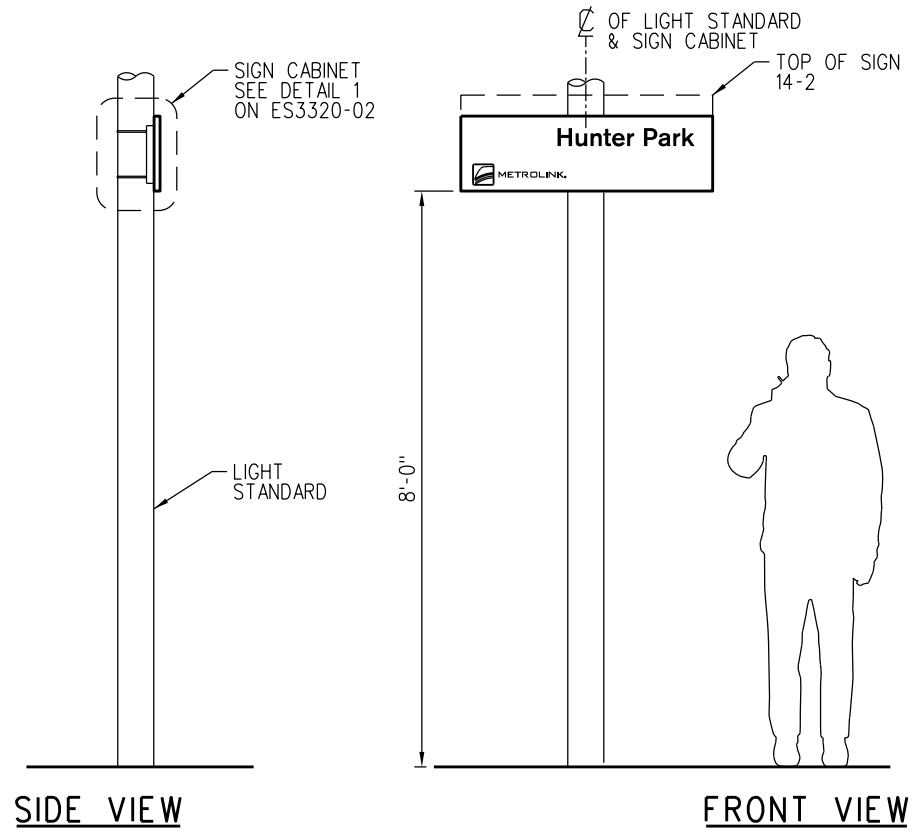


(14-1)
SMALL



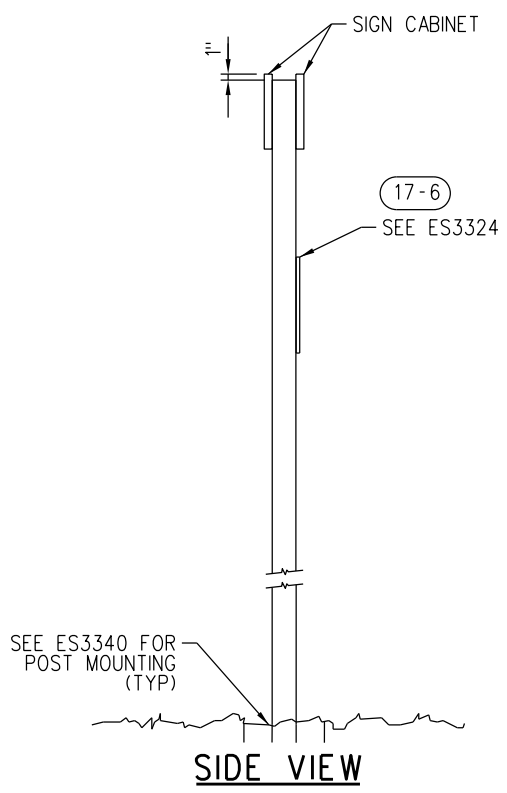
(14-2)
LARGE

SIGN LAYOUT (A)



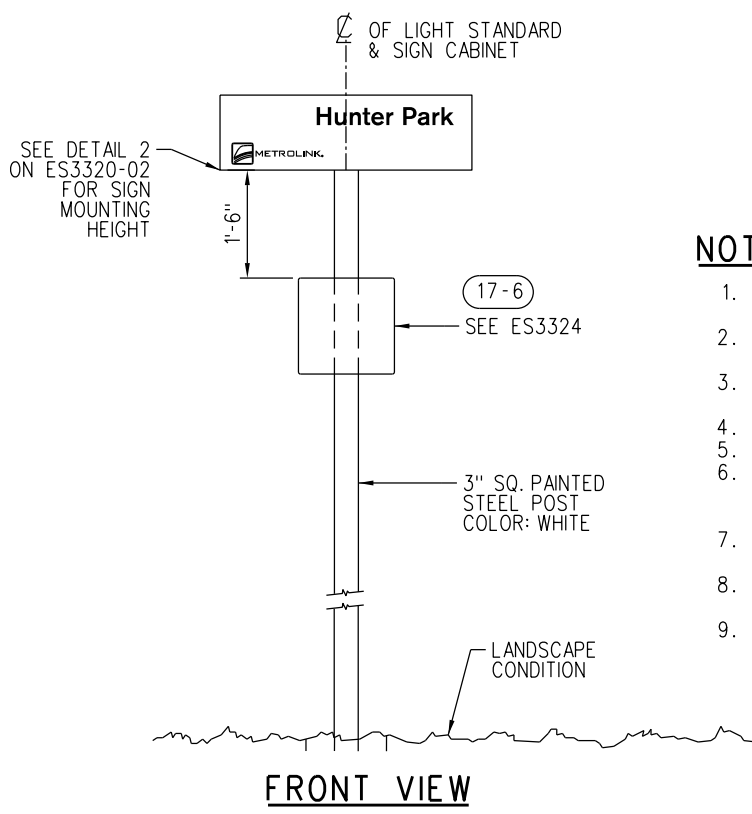
SIDE VIEW FRONT VIEW

CENTER MOUNT TO ROUND POLE - ON PLATFORM



SIDE VIEW FRONT VIEW

CENTER MOUNT TO SQUARE POST - OFF PLATFORM



SIDE VIEW FRONT VIEW

CENTER MOUNT TO SQUARE POST - OFF PLATFORM

SEE NOTE 9

ELEVATION (B)

NOTES:

1. SIGN TO BE CONSTRUCTED OF 1/8" THICK ALUMINUM. FACE OF SIGN TO BE PORCELAIN ENAMEL.
2. SPECIFIC COLORS OF THE COLORS NOTED ARE SPECIFIED ON ES3301-02.
3. FONTS, SYMBOLS AND ARROWS SHALL BE SILKSCREENED OR PAINTED, UNLESS OTHERWISE NOTED.
4. SEAL SIGN WITH TRANSPARENT ANTI-GRAFFITI FILM.
5. FOR SIGN MOUNTING DETAILS, SEE DETAIL 1 ON ES3320-02.
6. ALL FASTENERS AND MOUNTINGS SHALL BE GALVANIZED OR STAINLESS STEEL AND PAINTED TO MATCH SURROUNDING COLOR.
7. CONTINUE PAINT COLOR USED ON FRONT SURFACE OF SIGNS TO SIDES.
8. APPLY QUALITY PRIMER TO ALL PAINTED SURFACES TO PREVENT ELECTROLYSIS.
9. PLACEMENT OF OFF PLATFORM SIGNS SHALL BE DIRECTLY OPPOSITE OF STATION IDENTIFICATION SIGN ON PLATFORM.

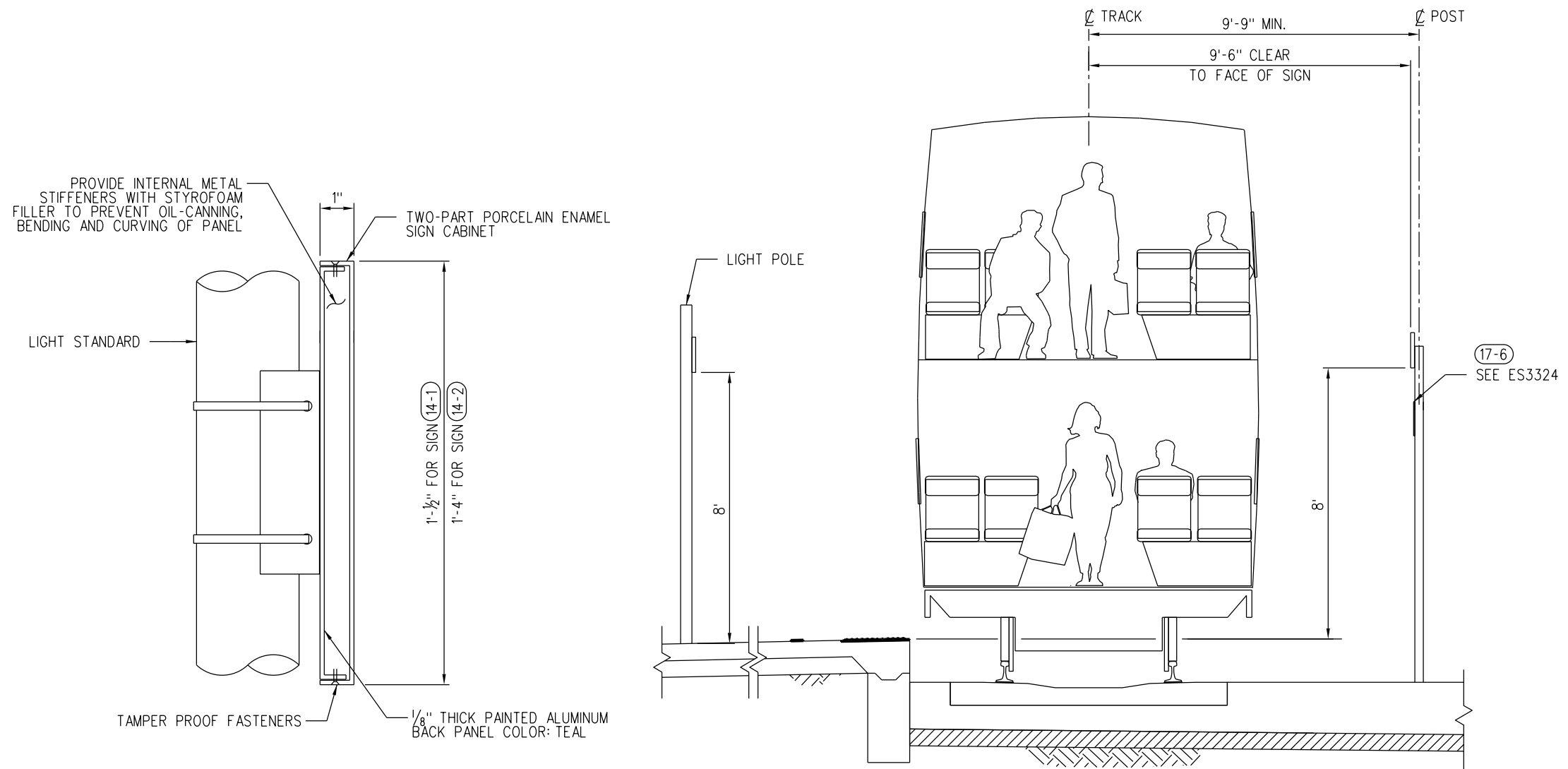
REV.	DATE	DESCRIPTION	DES.	ENG.
B	05-29-20	REVISE DETAILS, SIGN NUMBER AND DRAWING TITLE	AC	JMM
A	03-23-17	REVISED COPY LAYOUT "A" AND ELEVATION "D"	AC	DJM

DRAWN BY: A. CARLOS DATE: 04/01/09
 PRINCIPAL ENGINEER, DESIGN & STANDARDS
 ASSISTANT DIRECTOR, DESIGN

METROLINK
 SOUTHERN CALIFORNIA REGIONAL RAIL AUTHORITY
 900 WILSHIRE BLVD., SUITE 1500, L. A., CA. 90017

ENGINEERING STANDARDS	STANDARD 3320
SIGN TYPE 14 STATION IDENTIFICATION SIGNS	SCALE: NTS
	REVISION SHEET B 1 OF 2
	CADD FILE: ES3320-01

NOTE:
FOR NOTES SEE ES3320-01.



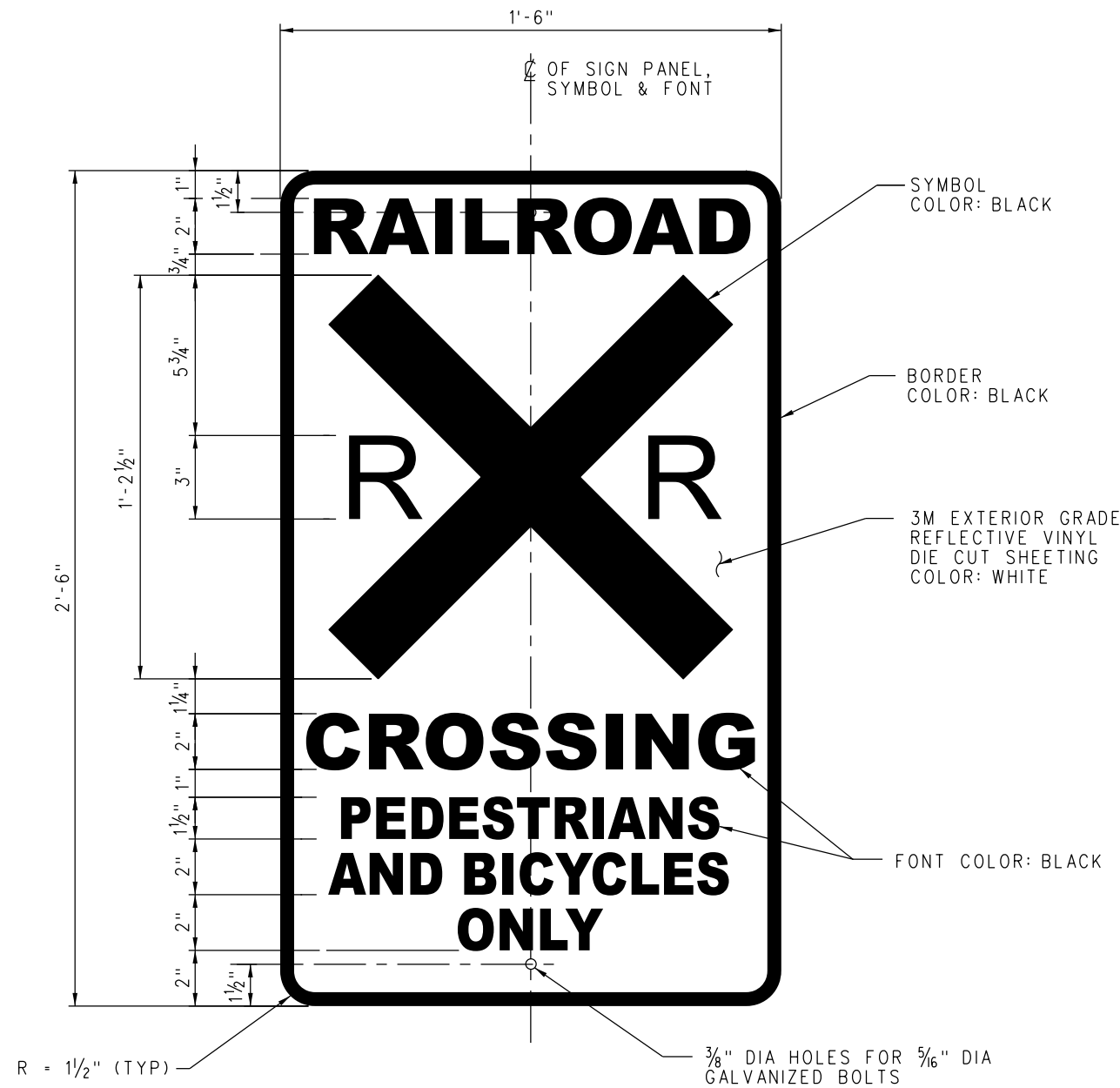
DETAIL 1

DETAIL 2

DRAWN BY: A. CARLOS		DATE: 04/01/09		SCRR ENGINEERING STANDARDS ARE INTENDED FOR SCRR APPROVED USES ONLY. FOR NON-SCRR APPROVED USES, SCRR SHALL NOT BE RESPONSIBLE FOR THE ACCURACY OR COMPLETENESS OF THE DATA OR INFORMATION CONTAINED HEREIN. THE SELECTION AND USE OF THESE STANDARDS IS THE SOLE RESPONSIBILITY OF THE USER AND SHOULD NOT BE USED WITHOUT CONSULTING A REGISTERED PROFESSIONAL ENGINEER. ALL WARRANTIES AND REPRESENTATIONS OF ANY KIND ARE DISCLAIMED. ANYONE MAKING USE OF THIS INFORMATION AGREES THAT IT ASSUMES ALL LIABILITY ARISING FROM SUCH USE. NO PART OF THESE STANDARDS SHOULD BE REPRODUCED OR DISTRIBUTED IN ANY FORM OR BY ANY MEANS WITHOUT THE PRIOR WRITTEN PERMISSION OF SCRR. ALL RIGHTS RESERVED.		<p>METROLINK SOUTHERN CALIFORNIA REGIONAL RAIL AUTHORITY 900 WILSHIRE BLVD., SUITE 1500, L. A., CA. 90017</p>		ENGINEERING STANDARDS		STANDARD
 PRINCIPAL ENGINEER, DESIGN & STANDARDS		 ASSISTANT DIRECTOR, DESIGN		SIGN TYPE 14 STATION IDENTIFICATION SIGN AT TRACK				3320		
REV.	DATE	DESCRIPTION	DES.	ENG.			SCALE:	REVISION SHEET		
B	05-29-20	REVISE DETAILS, SIGN NUMBERS, DRAWING NUMBER & TITLE	AC	JMM			NTS	B	2 OF 2	
A	03-24-17	REVISED ELEVATION "A"	AC	DJM					ES3320-02	

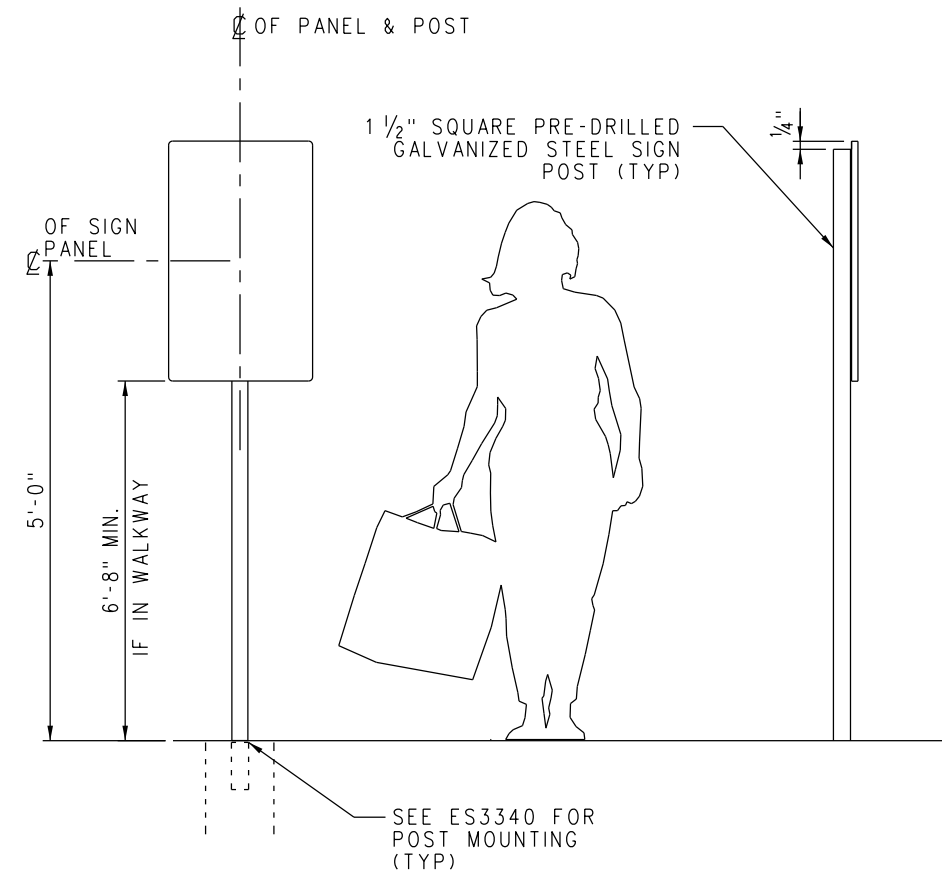
NOTES:

1. SIGN TO BE CONSTRUCTED OF 1/8" THICK ALUMINUM.
2. SPECIFIC COLORS OF THE COLORS NOTED ARE SPECIFIED ON ES3301-02.
3. FONTS, SYMBOLS AND ARROWS SHALL BE SILKSCREENED OR PAINTED, UNLESS OTHERWISE NOTED.
4. SEAL SIGN WITH TRANSPARENT ANTI-GRAFFITI FILM.
5. FOR SIGN MOUNTING DETAILS, SEE DETAILS ON ES3340.
6. ALL FASTENERS AND MOUNTINGS SHALL BE GALVANIZED OR STAINLESS STEEL AND PAINTED TO MATCH SURROUNDING COLOR.



CPUC STANDARD 1-D

SIGN LAYOUT



CENTER MOUNT TO SQUARE POST

ELEVATIONS

SEE NOTE 5



REV.	DATE	DESCRIPTION	DES.	ENG.
B	05-29-20	REVISE DETAILS AND SIGN NUMBER	AC	JMM
A	10-07-16	REVISE DETAILS AND SIGN NUMBER	AC	NDP

DRAWN BY:	A. CARLOS	DATE:	04/01/09
 PRINCIPAL ENGINEER, DESIGN & STANDARDS			
 ASSISTANT DIRECTOR, DESIGN			

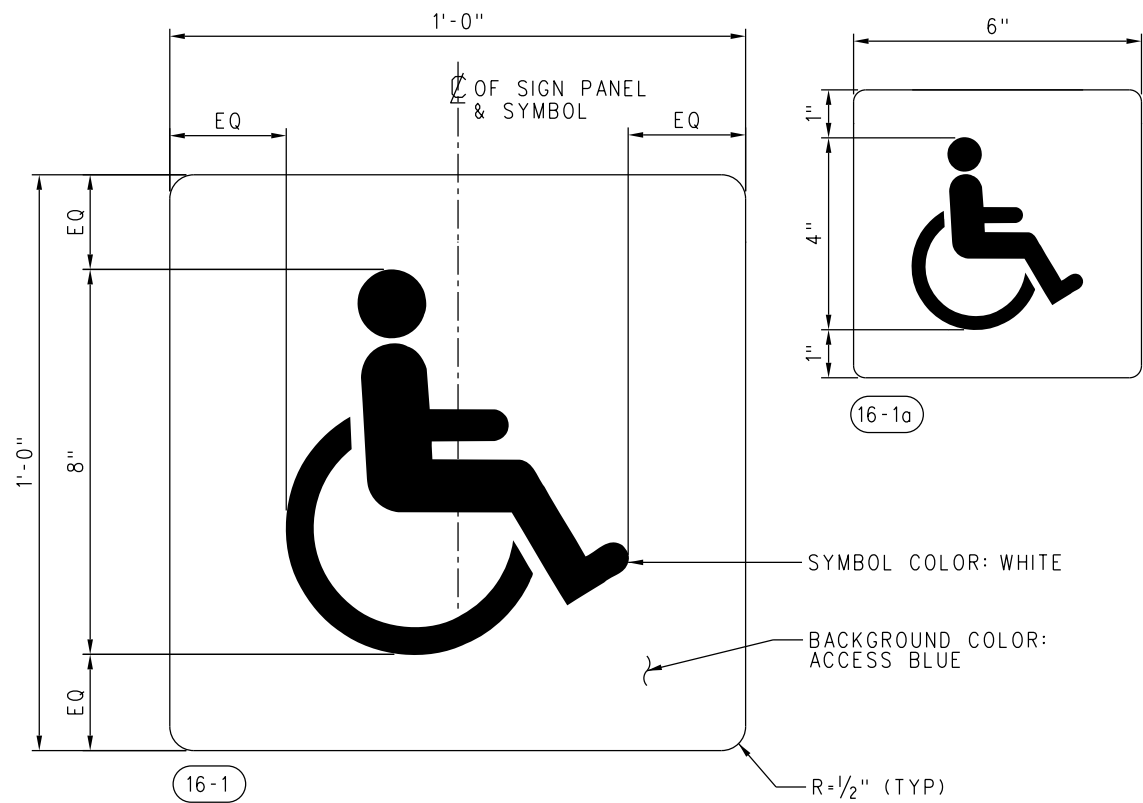
SCRR ENGINEERING STANDARDS ARE INTENDED FOR SCRR APPROVED USES ONLY. FOR NON-SCRR APPROVED USES, SCRR SHALL NOT BE RESPONSIBLE FOR THE ACCURACY OR COMPLETENESS OF THE DATA OR INFORMATION CONTAINED HEREIN. THE SELECTION AND USE OF THESE STANDARDS IS THE SOLE RESPONSIBILITY OF THE USER AND SHOULD NOT BE USED WITHOUT CONSULTING A REGISTERED PROFESSIONAL ENGINEER. ALL WARRANTIES AND REPRESENTATIONS OF ANY KIND ARE DISCLAIMED. ANYONE MAKING USE OF THIS INFORMATION AGREES THAT IT ASSUMES ALL LIABILITY ARISING FROM SUCH USE. NO PART OF THESE STANDARDS SHOULD BE REPRODUCED OR DISTRIBUTED IN ANY FORM OR BY ANY MEANS WITHOUT THE PRIOR WRITTEN PERMISSION OF SCRR. ALL RIGHTS RESERVED.

METROLINK
 SOUTHERN CALIFORNIA REGIONAL RAIL AUTHORITY
 900 WILSHIRE BLVD., SUITE 1500, L. A., CA. 90017

ENGINEERING STANDARDS

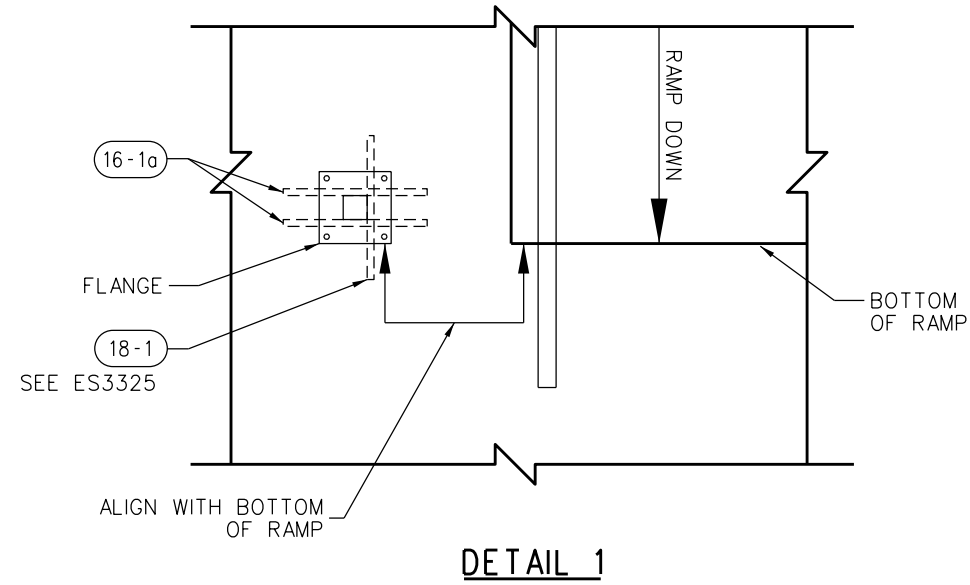
SIGN TYPE 15
 CPUC RAILROAD CROSSING SIGN
 POST MOUNTED

STANDARD	3322
SCALE:	NTS
REVISION SHEET	B 1 OF 1
CADD FILE:	ES3322

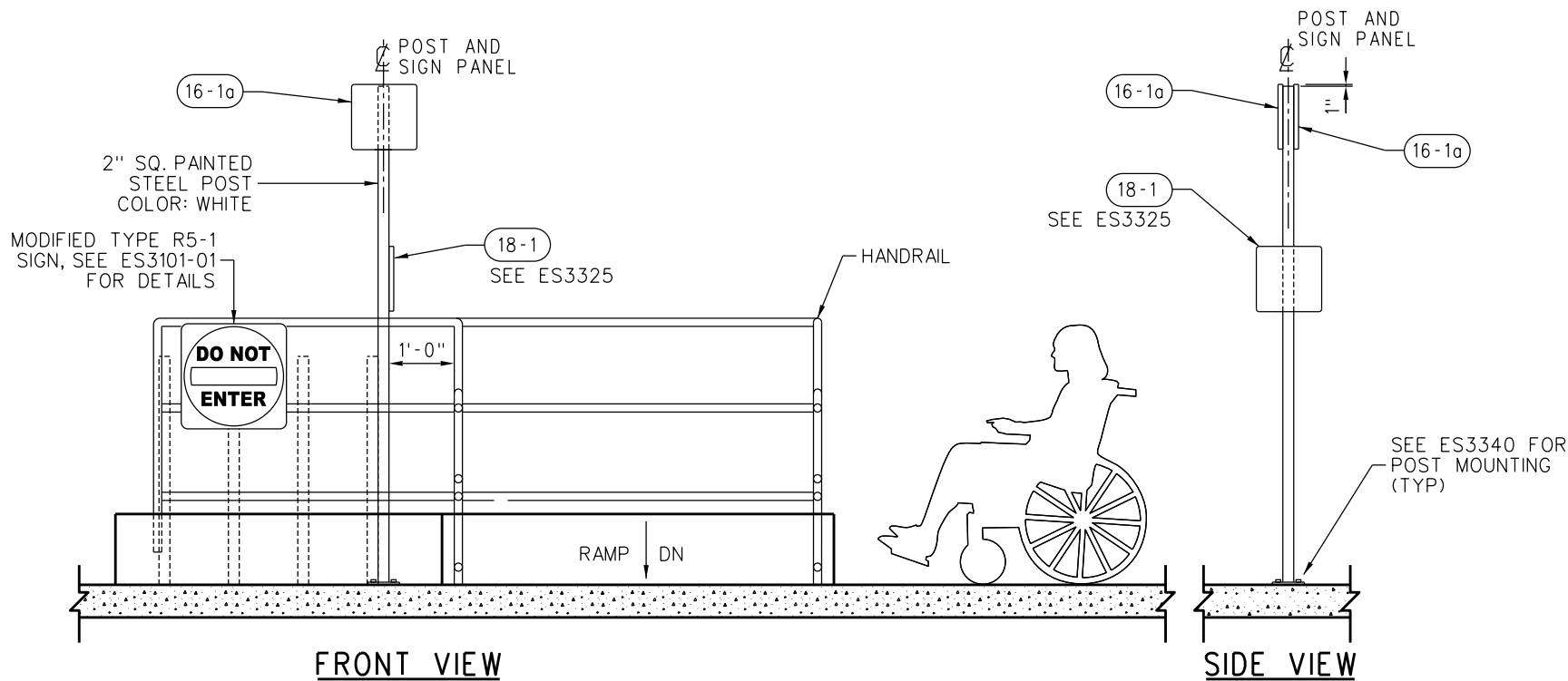


SIGN LAYOUTS

(A)



DETAIL 1



FRONT VIEW

SIDE VIEW

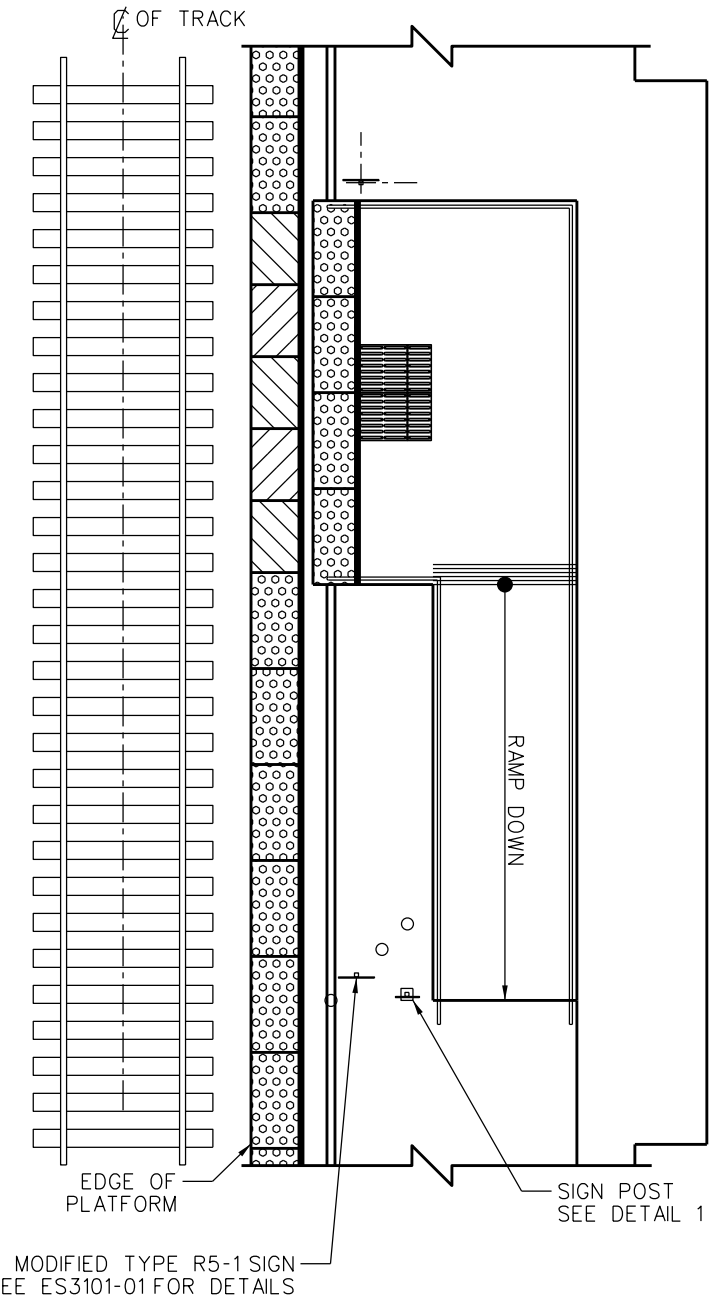
CENTER MOUNT TO SQUARE POST

ELEVATION
SEE NOTE 5

(B)

NOTES:

1. SIGN TO BE CONSTRUCTED OF 1/8" THICK ALUMINUM.
2. SPECIFIC COLORS OF THE COLORS NOTED ARE SPECIFIED ON ES3301-02.
3. FONTS, SYMBOLS AND ARROWS SHALL BE SILKSCREENED OR PAINTED, UNLESS OTHERWISE NOTED.
4. SEAL SIGN WITH TRANSPARENT ANTI-GRAFFITI FILM.
5. FOR SIGN MOUNTING DETAILS, SEE DETAILS ON ES3340.
6. ALL FASTENERS AND MOUNTINGS SHALL BE GALVANIZED OR STAINLESS STEEL AND PAINTED TO MATCH SURROUNDING COLOR.
7. CONTINUE PAINT COLOR USED ON FRONT SURFACE OF SIGNS TO SIDES. PAINT BACK OF PANEL WITH DOMINANT COLOR.



PLAN

(C)

REV.	DATE	DESCRIPTION	DES.	ENG.
A	05-29-20	REVISE DETAILS, SIGN NUMBER & DRAWING TITLE	AC	JMM

DRAWN BY:	A. CARLOS	DATE:	04/01/09
 PRINCIPAL ENGINEER, DESIGN & STANDARDS			
 ASSISTANT DIRECTOR, DESIGN			

SCRR ENGINEERING STANDARDS ARE INTENDED FOR SCRR APPROVED USES ONLY. FOR NON-SCRR APPROVED USES, SCRR SHALL NOT BE RESPONSIBLE FOR THE ACCURACY OR COMPLETENESS OF THE DATA OR INFORMATION CONTAINED HEREIN. THE SELECTION AND USE OF THESE STANDARDS IS THE SOLE RESPONSIBILITY OF THE USER AND SHOULD NOT BE USED WITHOUT CONSULTING A REGISTERED PROFESSIONAL ENGINEER. ALL WARRANTIES AND REPRESENTATIONS OF ANY KIND ARE DISCLAIMED. ANYONE MAKING USE OF THIS INFORMATION AGREES THAT IT ASSUMES ALL LIABILITY ARISING FROM SUCH USE. NO PART OF THESE STANDARDS SHOULD BE REPRODUCED OR DISTRIBUTED IN ANY FORM OR BY ANY MEANS WITHOUT THE PRIOR WRITTEN PERMISSION OF SCRR. ALL RIGHTS RESERVED.

METROLINK
 SOUTHERN CALIFORNIA REGIONAL RAIL AUTHORITY
 900 WILSHIRE BLVD., SUITE 1500, L. A., CA. 90017

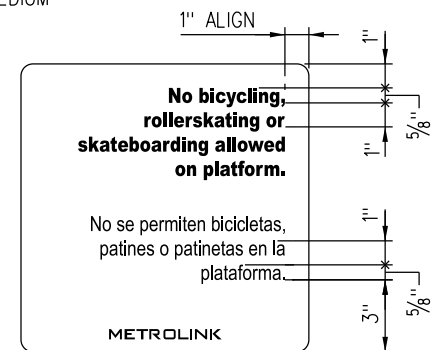
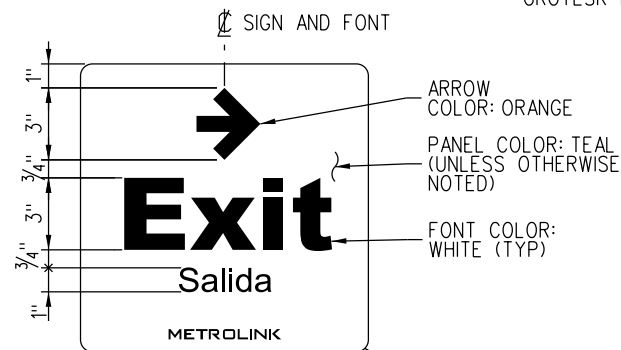
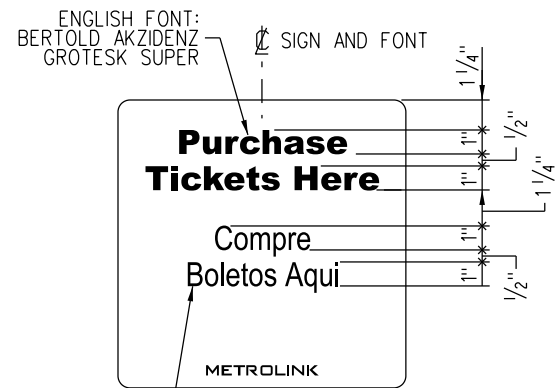
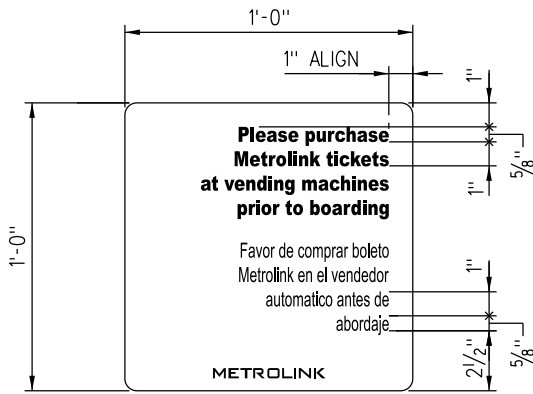
ENGINEERING STANDARDS	
SIGN TYPE 16 ACCESSIBILITY SIGN	

STANDARD	3323
SCALE:	NTS
REVISION SHEET	A 1 OF 1
CADD FILE:	ES3323

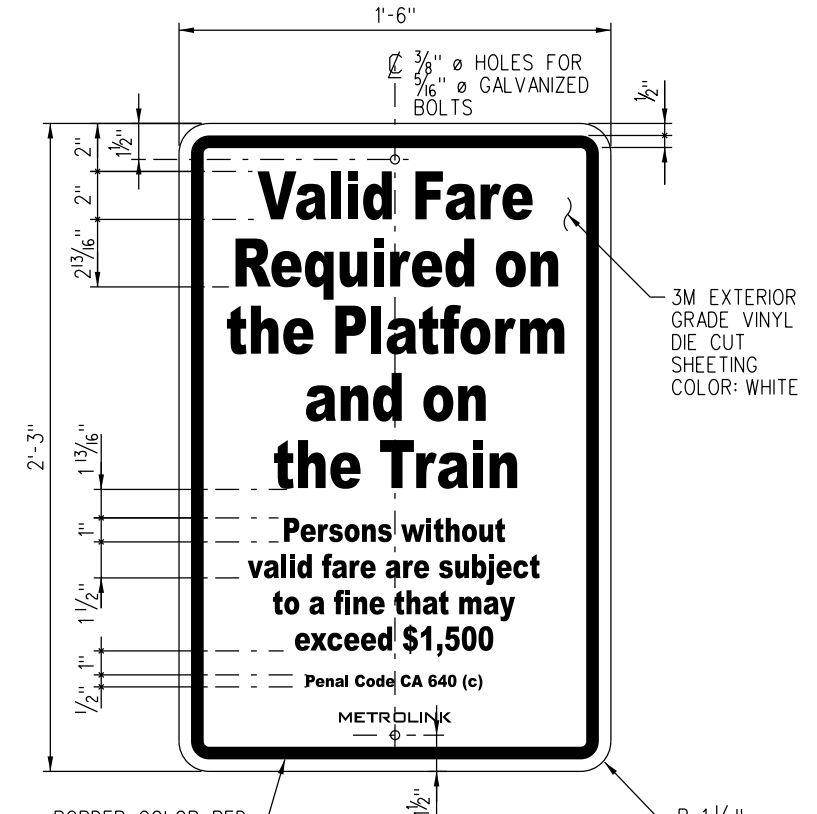
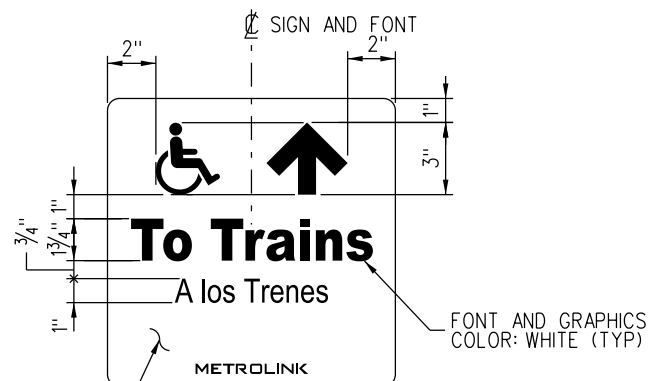
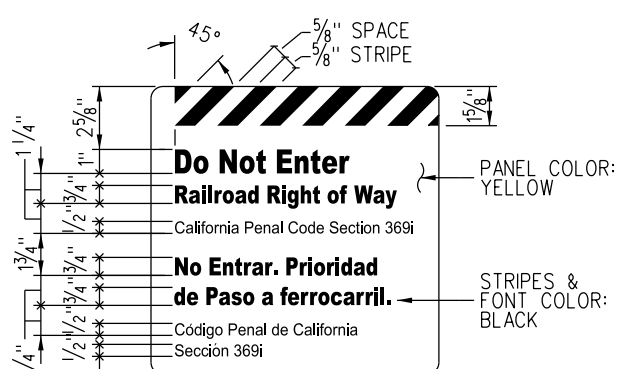
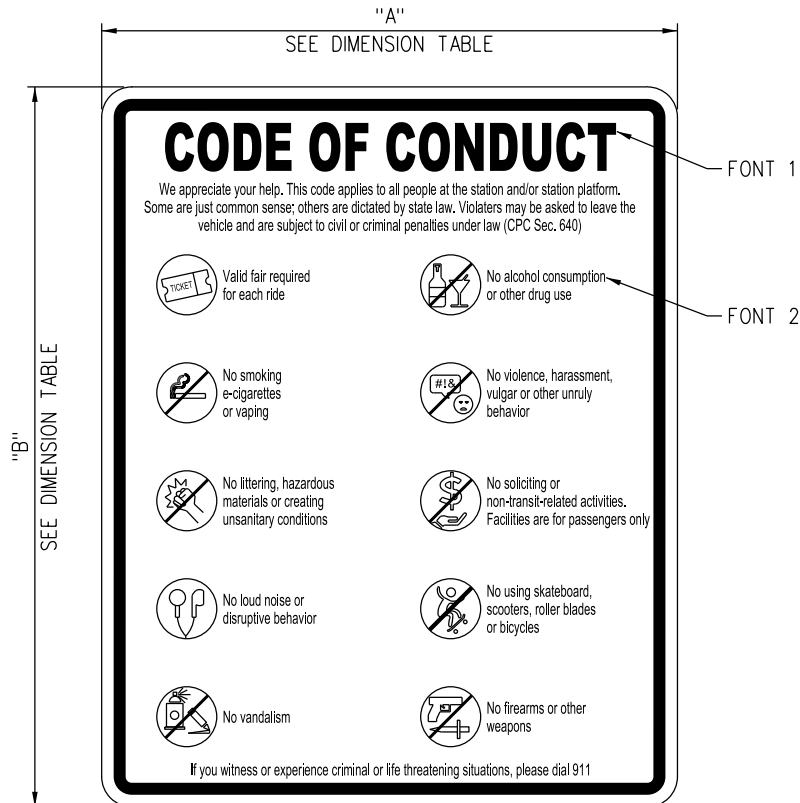
NOTES:

- SIGN TO BE CONSTRUCTED OF 1/8" THICK ALUMINUM.
- SPECIFIC COLORS OF THE COLORS NOTED ARE SPECIFIED ON ES3301-02.
- FONT, SYMBOLS AND ARROWS SHALL BE SILKSCREENED OR PAINTED, UNLESS OTHERWISE NOTED.
- SEAL SIGN WITH TRANSPARENT ANTI-GRAFFITI FILM.
- FOR SIGN MOUNTING DETAILS, SEE DETAILS ON ES3340.
- ALL FASTENERS AND MOUNTINGS SHALL BE GALVANIZED OR STAINLESS STEEL AND PAINTED TO MATCH SURROUNDING COLOR.
- CONTINUE PAINT COLOR USED ON FRONT SURFACE OF SIGNS TO SIDES. PAINT BACK OF PANEL WITH DOMINANT COLOR.

DIMENSION TABLE			
SIGN TYPE	1	2	3
A	24"	30"	36"
B	30"	36"	48"
FONT 1	2"	2.5"	3"
FONT 2	0.5"	0.7"	0.9"



SIGN LAYOUTS - CODE OF CONDUCT SIGN



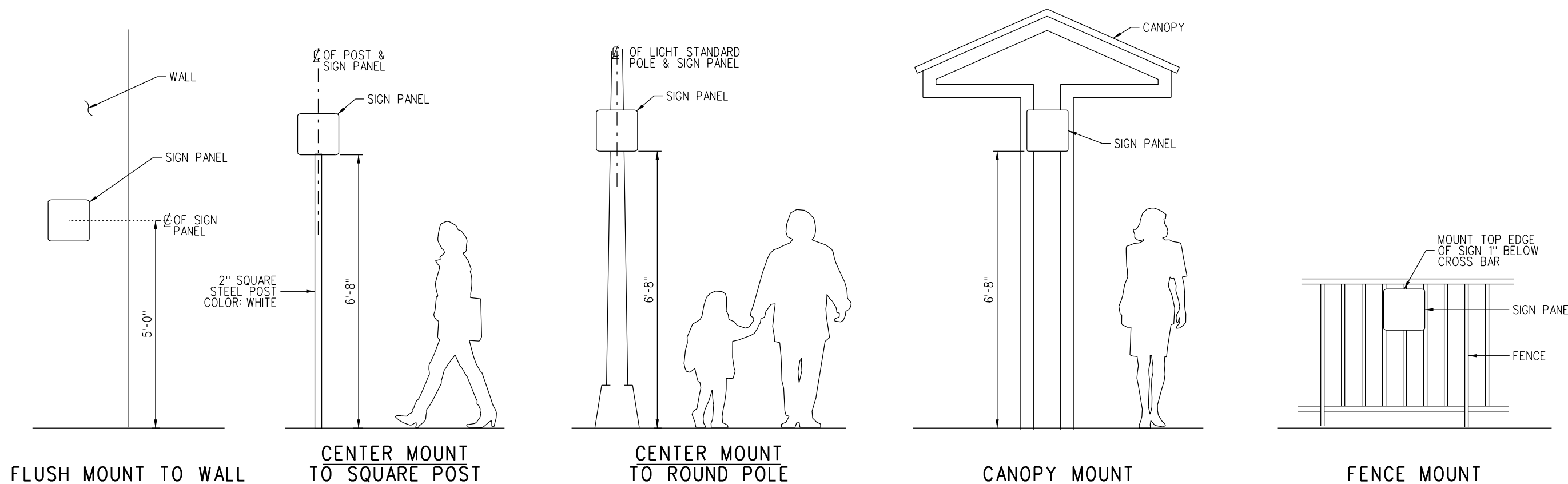
SIGN LAYOUTS

SIGN LAYOUTS - FARE REQUIRED SIGN

DRAWN BY: A. CARLOS DATE: 04/01/09 PRINCIPAL ENGINEER, DESIGN & STANDARDS ASSISTANT DIRECTOR, DESIGN		SCRR ENGINEERING STANDARDS ARE INTENDED FOR SCRR APPROVED USES ONLY. FOR NON-SCRR APPROVED USES, SCRR SHALL NOT BE RESPONSIBLE FOR THE ACCURACY OR COMPLETENESS OF THE DATA OR INFORMATION CONTAINED HEREIN. THE SELECTION AND USE OF THESE STANDARDS IS THE SOLE RESPONSIBILITY OF THE USER AND SHOULD NOT BE USED WITHOUT CONSULTING A REGISTERED PROFESSIONAL ENGINEER. ALL WARRANTIES AND REPRESENTATIONS OF ANY KIND ARE DISCLAIMED. ANYONE MAKING USE OF THIS INFORMATION AGREES THAT IT ASSUMES ALL LIABILITY ARISING FROM SUCH USE. NO PART OF THESE STANDARDS SHOULD BE REPRODUCED OR DISTRIBUTED IN ANY FORM OR BY ANY MEANS WITHOUT THE PRIOR WRITTEN PERMISSION OF SCRR. ALL RIGHTS RESERVED.		METROLINK SOUTHERN CALIFORNIA REGIONAL RAIL AUTHORITY 900 WILSHIRE BLVD., SUITE 1500, L. A., CA. 90017		ENGINEERING STANDARDS SIGN TYPE 17 PEDESTRIAN RESTRICTIVE / INFORMATION SIGN		STANDARD 3324 SCALE: NTS REVISION SHEET D 1 OF 2 CADD FILE: ES3324-01	
REV.	DATE	DESCRIPTION	DES.	ENG.					
D	06-15-22	ADD DETAIL "C" AND DIMENSION TABLE	AC	TQ					
C	05-29-20	REVISED SIGN NUMBERS AND DRAWING TITLE	AC	JMM					
B	08-01-19	REVISED DRAWING NUMBER	AC	JM					
A	03-24-17	REVISED SIGN LAYOUTS	AC	DJM					

NOTE:

SEE ES3324-01 FOR NOTES.



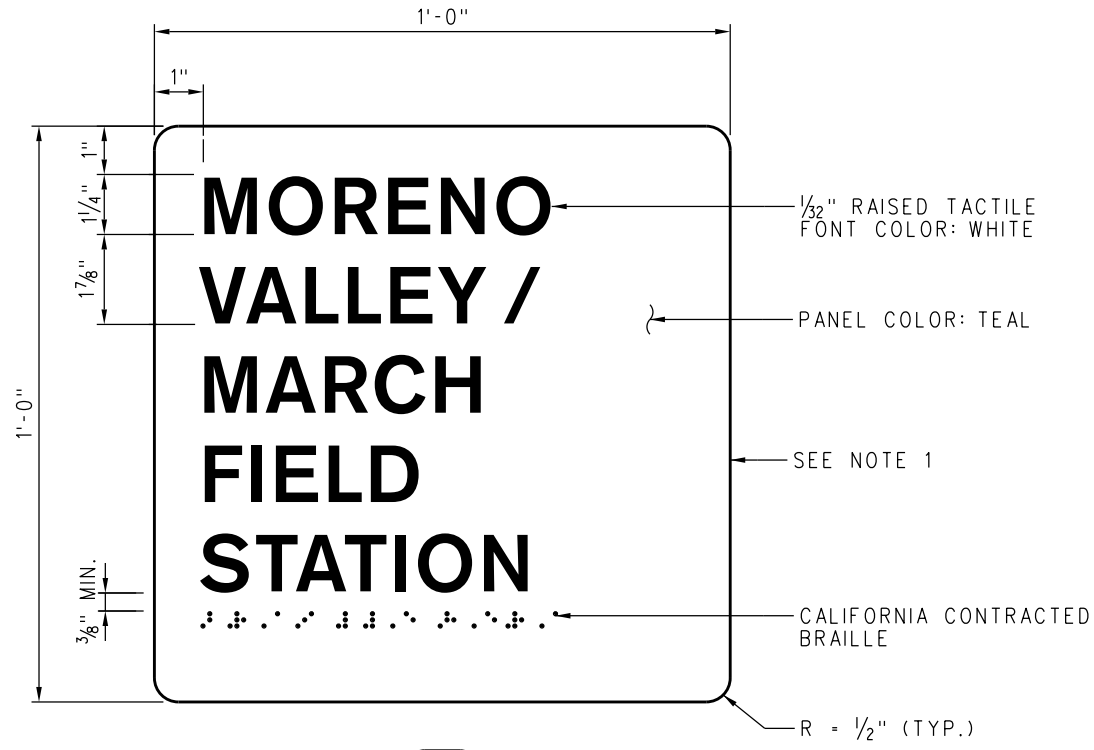
ELEVATIONS



DRAWN BY: A. CARLOS DATE: 05/02/19 PRINCIPAL ENGINEER, DESIGN & STANDARDS		SCRR ENGINEERING STANDARDS ARE INTENDED FOR SCRR APPROVED USES ONLY. FOR NON-SCRR APPROVED USES, SCRR SHALL NOT BE RESPONSIBLE FOR THE ACCURACY OR COMPLETENESS OF THE DATA OR INFORMATION CONTAINED HEREIN. THE SELECTION AND USE OF THESE STANDARDS IS THE SOLE RESPONSIBILITY OF THE USER AND SHOULD NOT BE USED WITHOUT CONSULTING A REGISTERED PROFESSIONAL ENGINEER. ALL WARRANTIES AND REPRESENTATIONS OF ANY KIND ARE DISCLAIMED. ANYONE MAKING USE OF THIS INFORMATION AGREES THAT IT ASSUMES ALL LIABILITY ARISING FROM SUCH USE. NO PART OF THESE STANDARDS SHOULD BE REPRODUCED OR DISTRIBUTED IN ANY FORM OR BY ANY MEANS WITHOUT THE PRIOR WRITTEN PERMISSION OF SCRR. ALL RIGHTS RESERVED.		 SOUTHERN CALIFORNIA REGIONAL RAIL AUTHORITY 900 WILSHIRE BLVD., SUITE 1500, L. A., CA. 90017		ENGINEERING STANDARDS SIGN TYPE 17 PEDESTRIAN RESTRICTIVE / INFORMATION SIGN		STANDARD 3324 SCALE: 3" = 1'-0" REVISION SHEET A 2 OF 2 CADD FILE: ES3324-02	
REV. A DATE 05-29-20 DESCRIPTION REVISE SIGN NUMBER AND DRAWING TITLE DES. AC ENG. JMM									

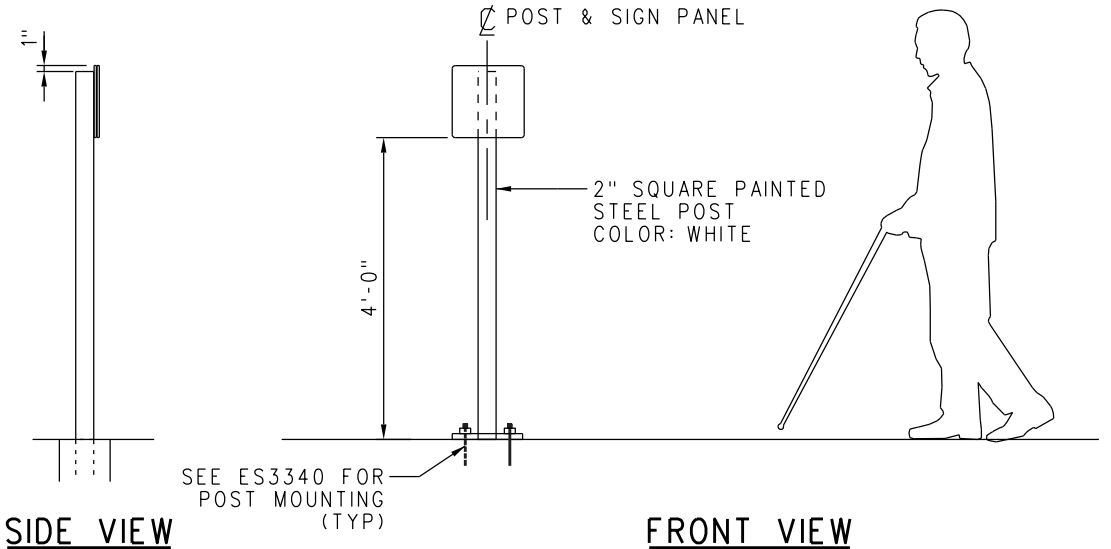
NOTES:

1. SIGN TO BE CONSTRUCTED OF 1/8" THICK ACID ETCHED ZINC WITH ROLLER-COATED COLOR AND CLEAR MATTE PROTECTIVE COATING.
2. SPECIFIC COLORS OF THE COLORS NOTED ARE SPECIFIED ON ES3301-02.
3. FONTS, SYMBOLS AND ARROWS SHALL BE SILKSCREENED OR PAINTED, UNLESS OTHERWISE NOTED.
4. FOR SIGN MOUNTING DETAILS, SEE DETAILS ON ES3340.
5. ALL FASTENERS AND MOUNTINGS SHALL BE GALVANIZED OR STAINLESS STEEL AND PAINTED TO MATCH SURROUNDING COLOR.
6. CONTINUE PAINT COLOR USED ON FRONT SURFACE OF SIGNS TO SIDES. PAINT BACK OF PANEL WITH DOMINANT COLOR.



(18-1)

SIGN LAYOUT



CENTER MOUNT TO SQUARE POST

ELEVATION
SEE NOTE 4



REV.	DATE	DESCRIPTION	DES.	ENG.
A	05-29-20	REVISE SIGN NUMBER AND DRAWING TITLE	AC	JMM

DRAWN BY: A. CARLOS DATE: 04/01/09

 PRINCIPAL ENGINEER, DESIGN & STANDARDS

 ASSISTANT DIRECTOR, DESIGN

SCRR ENGINEERING STANDARDS ARE INTENDED FOR SCRR APPROVED USES ONLY. FOR NON-SCRR APPROVED USES, SCRR SHALL NOT BE RESPONSIBLE FOR THE ACCURACY OR COMPLETENESS OF THE DATA OR INFORMATION CONTAINED HEREIN. THE SELECTION AND USE OF THESE STANDARDS IS THE SOLE RESPONSIBILITY OF THE USER AND SHOULD NOT BE USED WITHOUT CONSULTING A REGISTERED PROFESSIONAL ENGINEER. ALL WARRANTIES AND REPRESENTATIONS OF ANY KIND ARE DISCLAIMED. ANYONE MAKING USE OF THIS INFORMATION AGREES THAT IT ASSUMES ALL LIABILITY ARISING FROM SUCH USE. NO PART OF THESE STANDARDS SHOULD BE REPRODUCED OR DISTRIBUTED IN ANY FORM OR BY ANY MEANS WITHOUT THE PRIOR WRITTEN PERMISSION OF SCRR. ALL RIGHTS RESERVED.

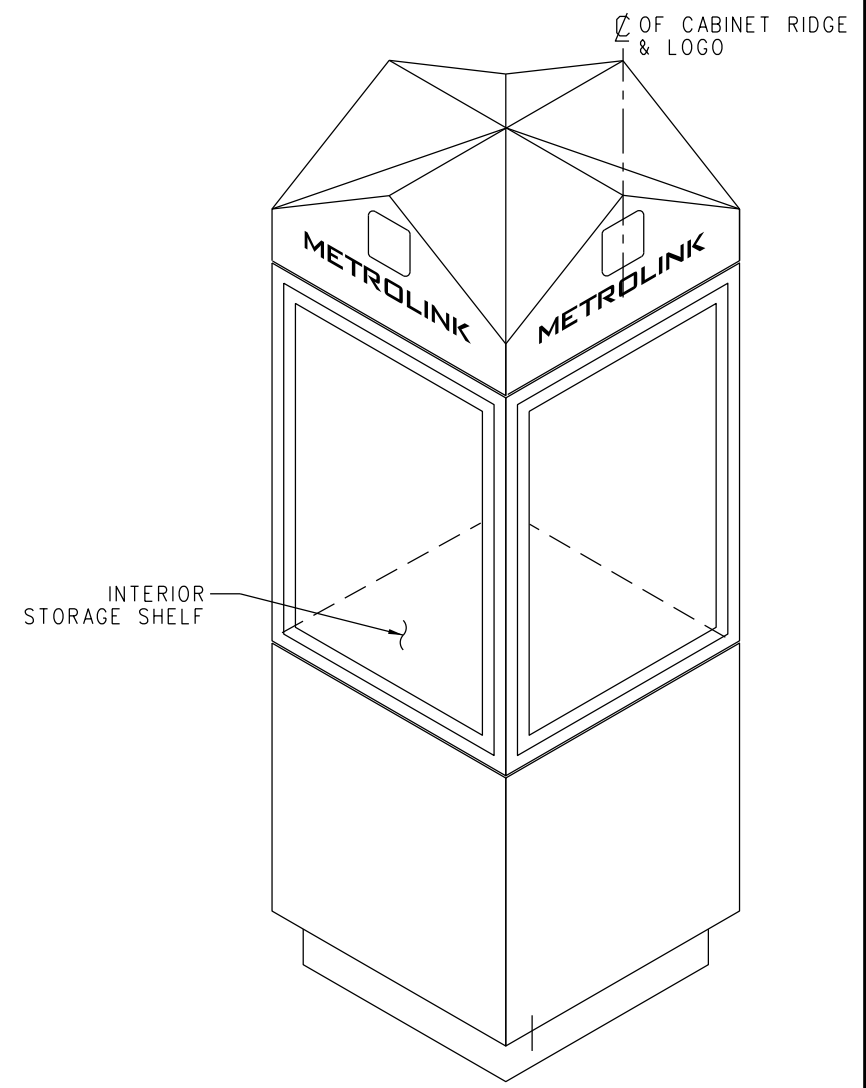
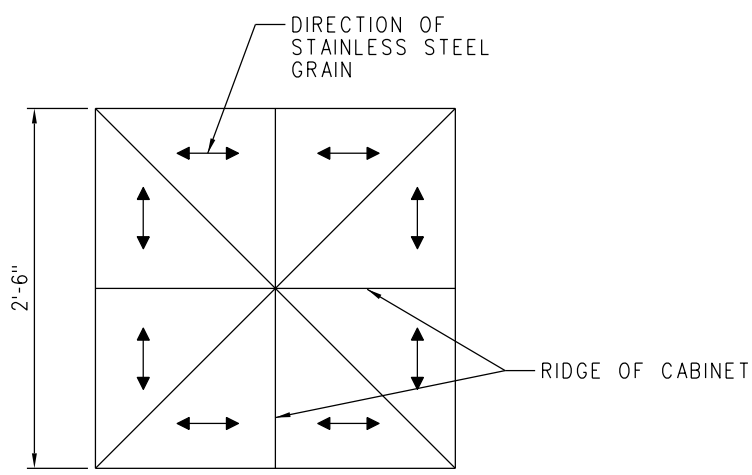
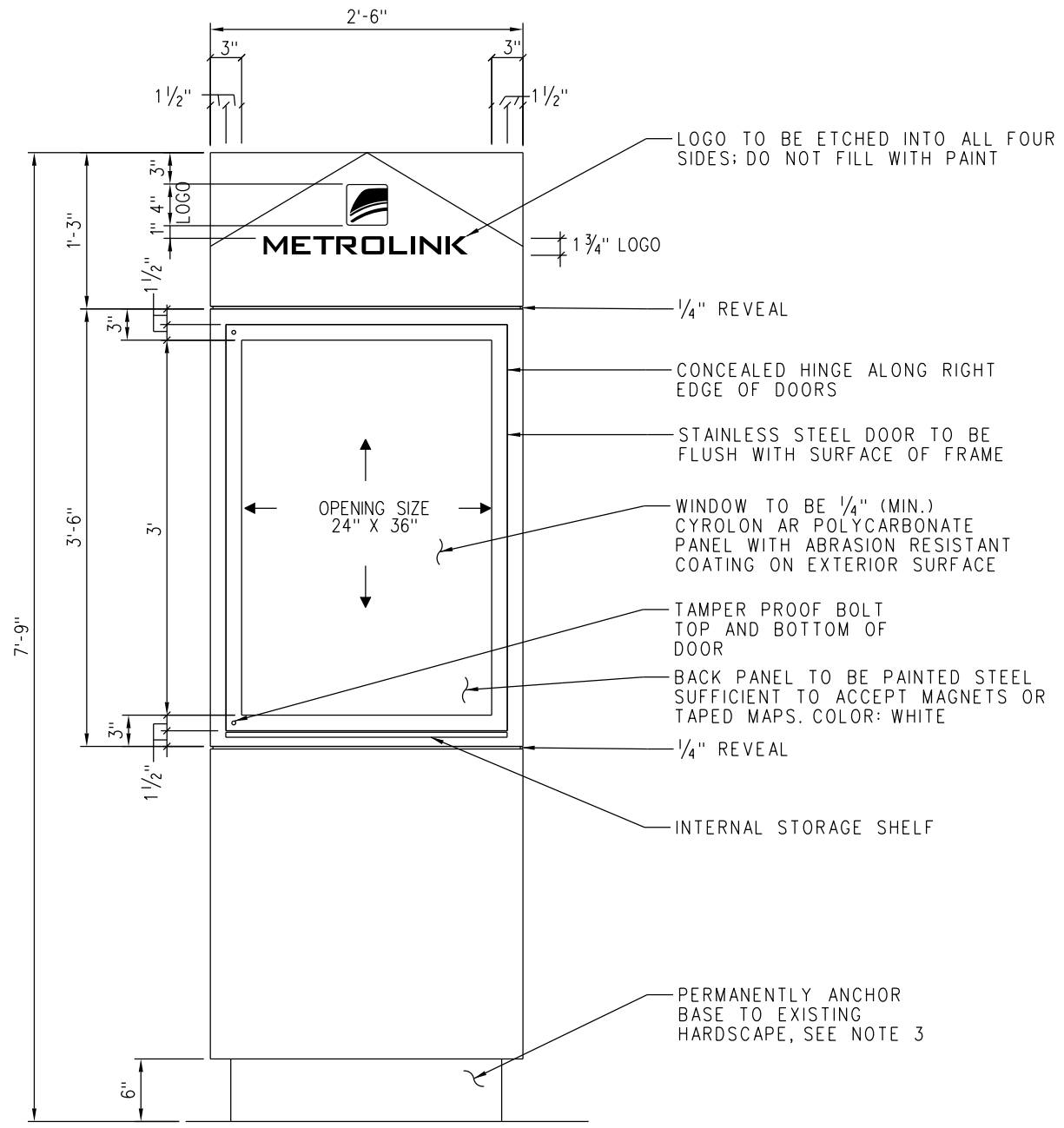
METROLINK
 SOUTHERN CALIFORNIA REGIONAL RAIL AUTHORITY
 900 WILSHIRE BLVD., SUITE 1500, L. A., CA. 90017

ENGINEERING STANDARDS
 SIGN TYPE 18
 ADA STATION IDENTIFICATION SIGN (BRAILLE)

STANDARD	3325
SCALE:	NTS
REVISION SHEET	A 1 OF 1
CADD FILE:	ES3325

NOTES:

1. KIOSK CABINET SHALL BE FABRICATED STAINLESS STEEL W/ VERTICAL GRAIN BRUSHED FINISH. CABINET SHALL BE CONSTRUCTED WITH INTERNAL STEEL STRUCTURE AS REQUIRED. ALL CORNERS SHALL BE REINFORCED TO PREVENT SEPARATION.
2. CABINET SHALL HAVE NO VISIBLE SEAMS.
3. CABINET SHALL BE WEIGHTED AND ANCHORED TO EXISTING HARDSCAPE (CONDITIONS VARY) FOR SAFE AND SECURE INSTALLATION. DESIGN OF CABINET AND FASTENINGS SHALL SATISFY ALL CODES AND WIND LOAD FACTORS.
4. CABINET SHALL BE WEATHERPROOFED.
5. CABINET DOORS SHALL HAVE STAINLESS STEEL COUNTERSUNK, TAMPERPROOF STAR-HEAD BOLTS ON NON-HINGED SIDE. WELD NUT TO BOLT ON INTERIOR SIDE OF DOOR TO PREVENT BOLTS FROM BEING REMOVED.
6. CABINET SHALL HAVE INTERIOR STORAGE SHELF.
7. CABINET SHALL HAVE ONE HINGED INTERIOR PANEL TO ACCESS STORAGE SHELF. PROVIDE NON-HINGED SIDE OF PANEL W/ STAR-HEAD BOLTS.
8. ACCESS TO CABINET SHALL BE BY REMOVING BOLTS ALONG LEFT SIDE OF DOORS.
9. SHOW ALL DETAILS ON SHOP DRAWINGS.
10. PROVIDE CHANNELS TO FACILITATE REPLACEMENT OF CLEAR WINDOW PANELS.

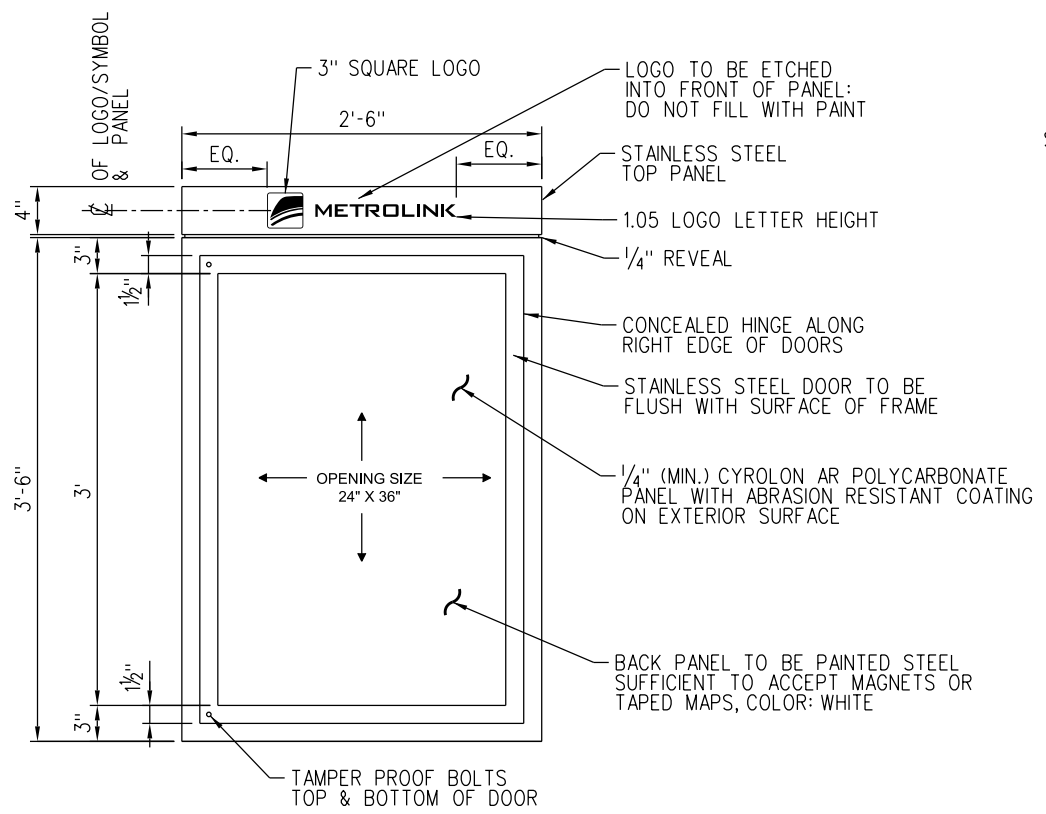


KIOSK LAYOUT
NOTE: ALL SIDES IDENTICAL.

PLAN - KIOSK ROOF

ISOMETRIC VIEW

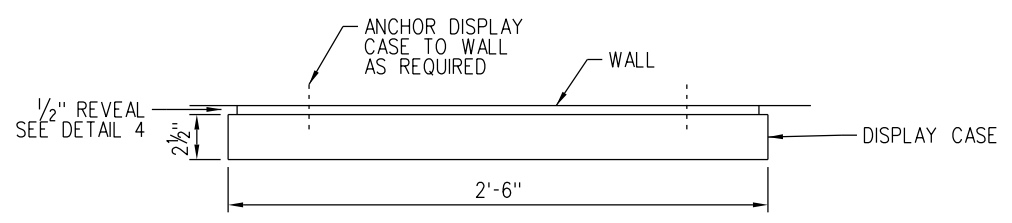
	DRAWN BY: A. CARLOS	DATE: 04/01/09	SCRR ENGINEERING STANDARDS ARE INTENDED FOR SCRR APPROVED USES ONLY. FOR NON-SCRR APPROVED USES, SCRR SHALL NOT BE RESPONSIBLE FOR THE ACCURACY OR COMPLETENESS OF THE DATA OR INFORMATION CONTAINED HEREIN. THE SELECTION AND USE OF THESE STANDARDS IS THE SOLE RESPONSIBILITY OF THE USER AND SHOULD NOT BE USED WITHOUT CONSULTING A REGISTERED PROFESSIONAL ENGINEER. ALL WARRANTIES AND REPRESENTATIONS OF ANY KIND ARE DISCLAIMED. ANYONE MAKING USE OF THIS INFORMATION AGREES THAT IT ASSUMES ALL LIABILITY ARISING FROM SUCH USE. NO PART OF THESE STANDARDS SHOULD BE REPRODUCED OR DISTRIBUTED IN ANY FORM OR BY ANY MEANS WITHOUT THE PRIOR WRITTEN PERMISSION OF SCRR. ALL RIGHTS RESERVED.	 METROLINK SOUTHERN CALIFORNIA REGIONAL RAIL AUTHORITY 900 WILSHIRE BLVD., SUITE 1500, L. A., CA. 90017	ENGINEERING STANDARDS	STANDARD 3326
	<i>A. Carlos</i> PRINCIPAL ENGINEER, DESIGN & STANDARDS	<i>Charles C. ...</i> ASSISTANT DIRECTOR, DESIGN			SIGN TYPE 19 MAP / INFO KIOSK FREESTANDING	SCALE: NTS REVISION SHEET B 1 OF 1 CADD FILE: ES3326
REV. DATE DESCRIPTION DES. ENG.	B 05-29-20 REVISE SIGN NUMBER AND DRAWING TITLE AC JMM	A 03-24-17 REVISED LOGO AC DJM				



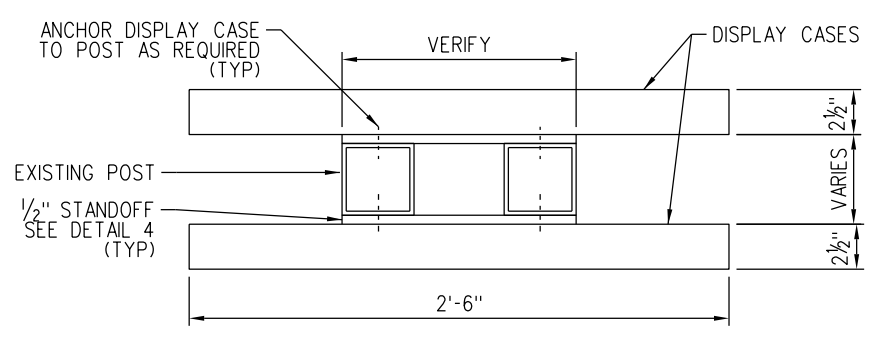
20-1

DISPLAY CASE LAYOUT

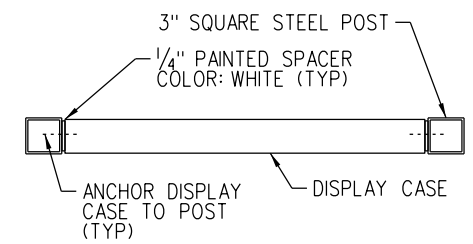
A



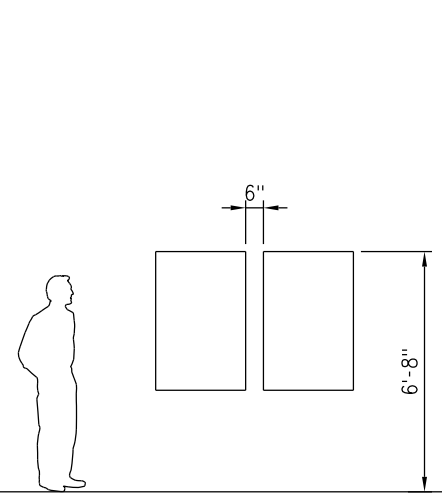
DETAIL 1



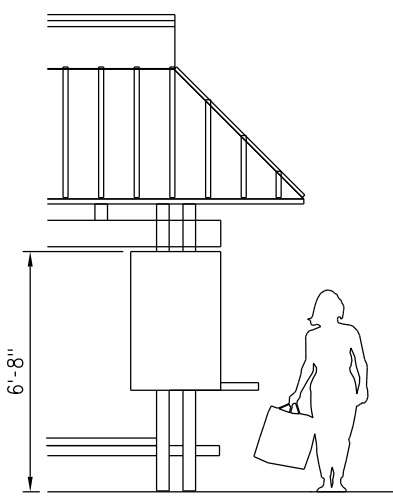
DETAIL 2



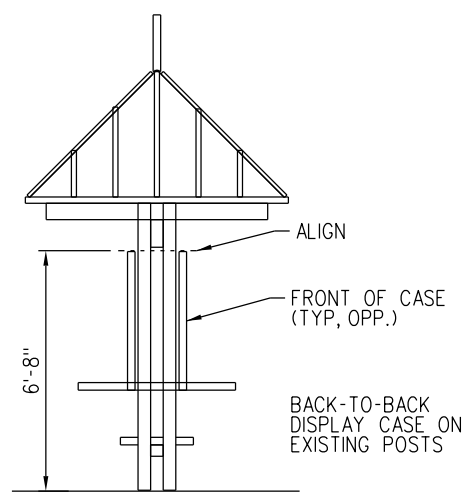
DETAIL 3



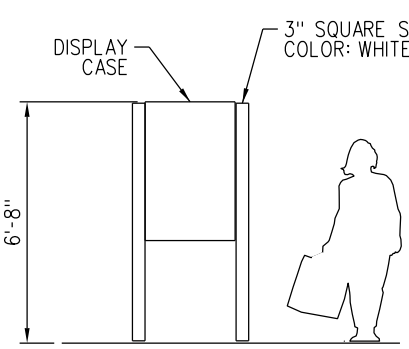
WALL MOUNTED
SEE DETAIL 1



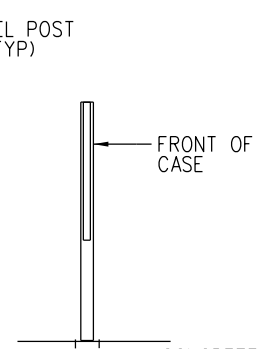
FRONT VIEW



SIDE VIEW

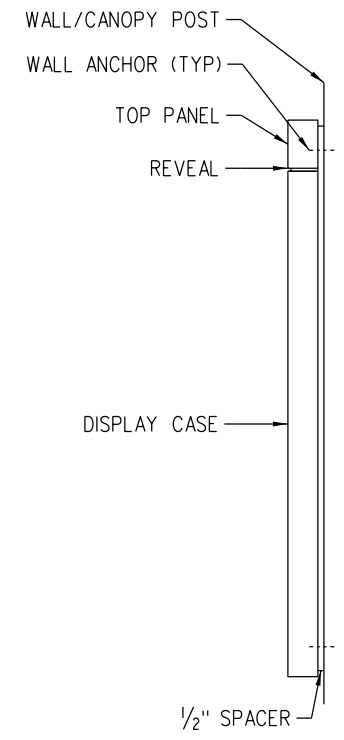


FRONT VIEW



SIDE VIEW

POST MOUNTED
SEE DETAIL 3



DETAIL 4

ELEVATION

B

REV.	DATE	DESCRIPTION	DES.	ENG.
B	05-29-20	REVISE DETAILS, SIGN NUMBER AND DRAWING TITLE	AC	JMM
A	03-27-17	REVISED ELEVATION "B"	AC	DJM

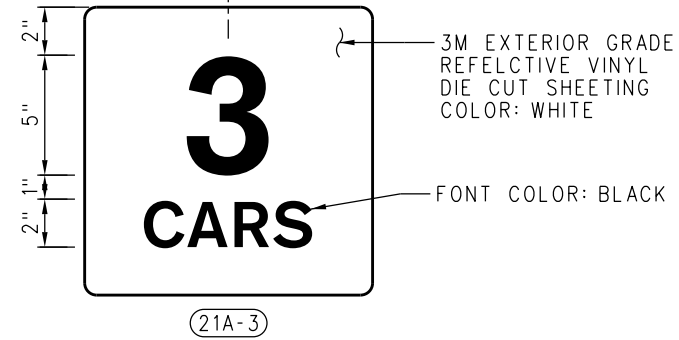
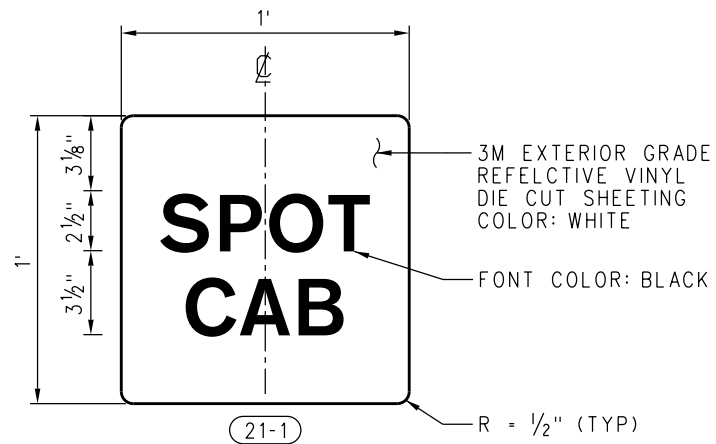
DRAWN BY: A. CARLOS DATE: 04/01/09
 SCRR ENGINEERING STANDARDS ARE INTENDED FOR SCRR APPROVED USES ONLY.
 FOR NON-SCRR APPROVED USES, SCRR SHALL NOT BE RESPONSIBLE FOR THE ACCURACY OR COMPLETENESS OF THE DATA OR INFORMATION CONTAINED HEREIN. THE SELECTION AND USE OF THESE STANDARDS IS THE SOLE RESPONSIBILITY OF THE USER AND SHOULD NOT BE USED WITHOUT CONSULTING A REGISTERED PROFESSIONAL ENGINEER. ALL WARRANTIES AND REPRESENTATIONS OF ANY KIND ARE DISCLAIMED. ANYONE MAKING USE OF THIS INFORMATION AGREES THAT IT ASSUMES ALL LIABILITY ARISING FROM SUCH USE. NO PART OF THESE STANDARDS SHOULD BE REPRODUCED OR DISTRIBUTED IN ANY FORM OR BY ANY MEANS WITHOUT THE PRIOR WRITTEN PERMISSION OF SCRR. ALL RIGHTS RESERVED.

SOUTHERN CALIFORNIA REGIONAL RAIL AUTHORITY
 900 WILSHIRE BLVD., SUITE 1500, L. A., CA. 90017

ENGINEERING STANDARDS

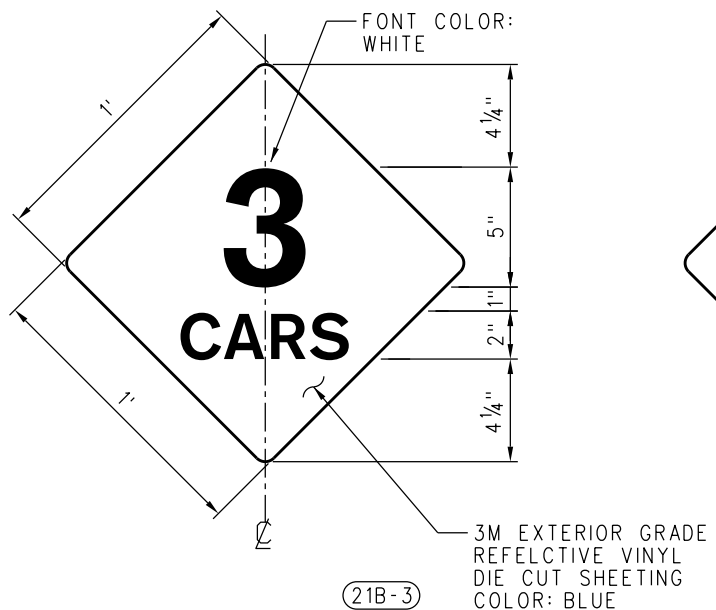
SIGN TYPE 20
 DISPLAY CASE
 WALL OR POST MOUNTED

STANDARD	3328
SCALE:	NTS
REVISION SHEET	B 1 OF 1
CADD FILE:	ES3328



SIGN LAYOUTS

A



SIGN LAYOUTS

B

NOTES:

1. SIGN TO BE CONSTRUCTED OF 1/8" THICK ALUMINUM.
2. SPECIFIC COLORS OF THE COLORS NOTED ARE SPECIFIED ON ES3301-02.
3. FONTS, SYMBOLS AND ARROWS SHALL BE SILKSCREENED OR PAINTED, UNLESS OTHERWISE NOTED.
4. SEAL SIGN WITH TRANSPARENT ANTI-GRAFFITI FILM.
5. FOR SIGN MOUNTING DETAILS, SEE DETAILS ON ES3340.
6. ALL FASTENERS AND MOUNTINGS SHALL BE GALVANIZED OR STAINLESS STEEL AND PAINTED TO MATCH SURROUNDING COLOR.
7. CONTINUE PAINT COLOR USED ON FRONT SURFACE OF SIGNS TO SIDES. PAINT BACK OF PANEL WITH DOMINANT COLOR.
8. SEE ES3330-03 THROUGH ES3330-06 FOR SIGN PLACEMENT AT STATIONS.

REV.	DATE	DESCRIPTION	DES.	ENG.
C	08-19-22	SIGN 21A NUMBERING, SIGN 21B COLOR	AC	TQ
B	05-29-20	REVISE DETAILS, SIGN NUMBERS AND DRAWING TITLE	AC	JMM
A	04/18/12	REVISED ELEVATION "E"	AC	NDP

DRAWN BY: A. CARLOS DATE: 04/01/09
 SCRR ENGINEERING STANDARDS ARE INTENDED FOR SCRR APPROVED USES ONLY. FOR NON-SCRR APPROVED USES, SCRR SHALL NOT BE RESPONSIBLE FOR THE ACCURACY OR COMPLETENESS OF THE DATA OR INFORMATION CONTAINED HEREIN. THE SELECTION AND USE OF THESE STANDARDS IS THE SOLE RESPONSIBILITY OF THE USER AND SHOULD NOT BE USED WITHOUT CONSULTING A REGISTERED PROFESSIONAL ENGINEER. ALL WARRANTIES AND REPRESENTATIONS OF ANY KIND ARE DISCLAIMED. ANYONE MAKING USE OF THIS INFORMATION AGREES THAT IT ASSUMES ALL LIABILITY ARISING FROM SUCH USE. NO PART OF THESE STANDARDS SHOULD BE REPRODUCED OR DISTRIBUTED IN ANY FORM OR BY ANY MEANS WITHOUT THE PRIOR WRITTEN PERMISSION OF SCRR. ALL RIGHTS RESERVED.

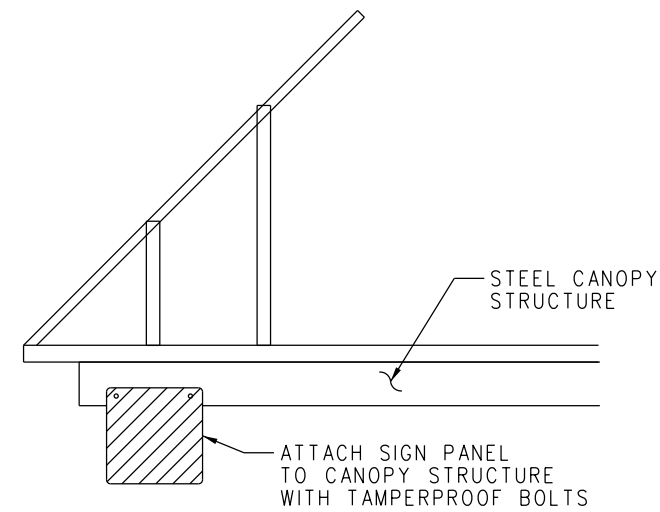
METROLINK
 SOUTHERN CALIFORNIA REGIONAL RAIL AUTHORITY
 900 WILSHIRE BLVD., SUITE 1500, L. A., CA. 90017

ENGINEERING STANDARDS
 SIGN TYPE 21
 TRAIN POSITION MARKER

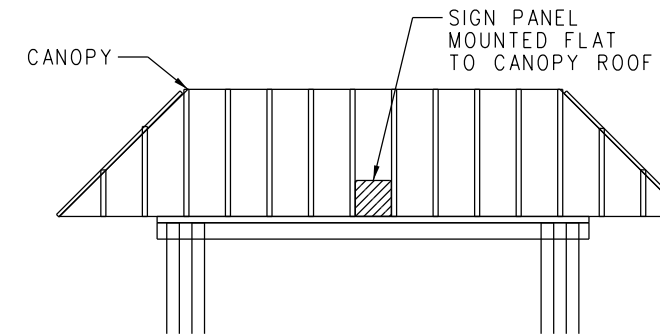
STANDARD	3330
SCALE:	NTS
REVISION SHEET	C 1 OF 6
CADD FILE:	ES3330-01

NOTE:

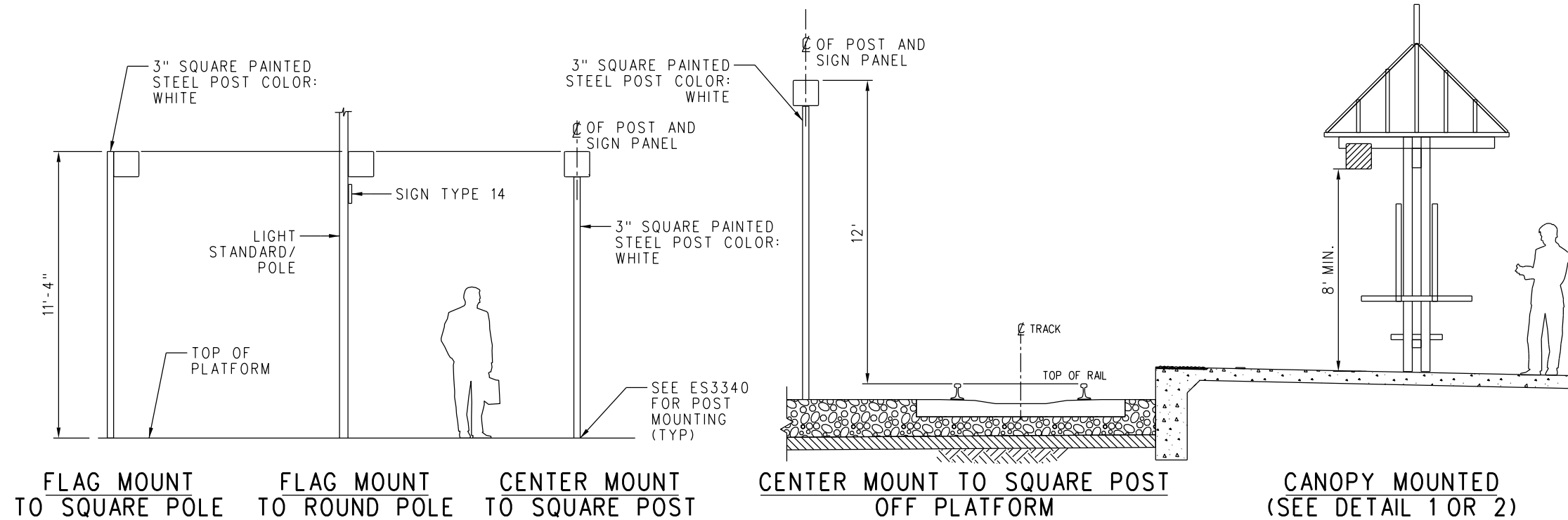
1. SEE ES3330-01 FOR NOTES.



DETAIL 1



DETAIL 2



ELEVATION



REV.	DATE	DESCRIPTION	DES.	ENG.
A	05-29-20	REVISE DETAILS, SIGN NUMBERS AND DRAWING TITLE	AC	JMM

DRAWN BY: A. CARLOS DATE: 04/01/09

[Signature]
PRINCIPAL ENGINEER, DESIGN & STANDARDS

[Signature]
ASSISTANT DIRECTOR, DESIGN

SCRR ENGINEERING STANDARDS ARE INTENDED FOR SCRR APPROVED USES ONLY. FOR NON-SCRR APPROVED USES, SCRR SHALL NOT BE RESPONSIBLE FOR THE ACCURACY OR COMPLETENESS OF THE DATA OR INFORMATION CONTAINED HEREIN. THE SELECTION AND USE OF THESE STANDARDS IS THE SOLE RESPONSIBILITY OF THE USER AND SHOULD NOT BE USED WITHOUT CONSULTING A REGISTERED PROFESSIONAL ENGINEER. ALL WARRANTIES AND REPRESENTATIONS OF ANY KIND ARE DISCLAIMED. ANYONE MAKING USE OF THIS INFORMATION AGREES THAT IT ASSUMES ALL LIABILITY ARISING FROM SUCH USE. NO PART OF THESE STANDARDS SHOULD BE REPRODUCED OR DISTRIBUTED IN ANY FORM OR BY ANY MEANS WITHOUT THE PRIOR WRITTEN PERMISSION OF SCRR. ALL RIGHTS RESERVED.

METROLINK
SOUTHERN CALIFORNIA REGIONAL RAIL AUTHORITY
900 WILSHIRE BLVD., SUITE 1500, L. A., CA. 90017

ENGINEERING STANDARDS

SIGN TYPE 21
TRAIN POSITION MARKER

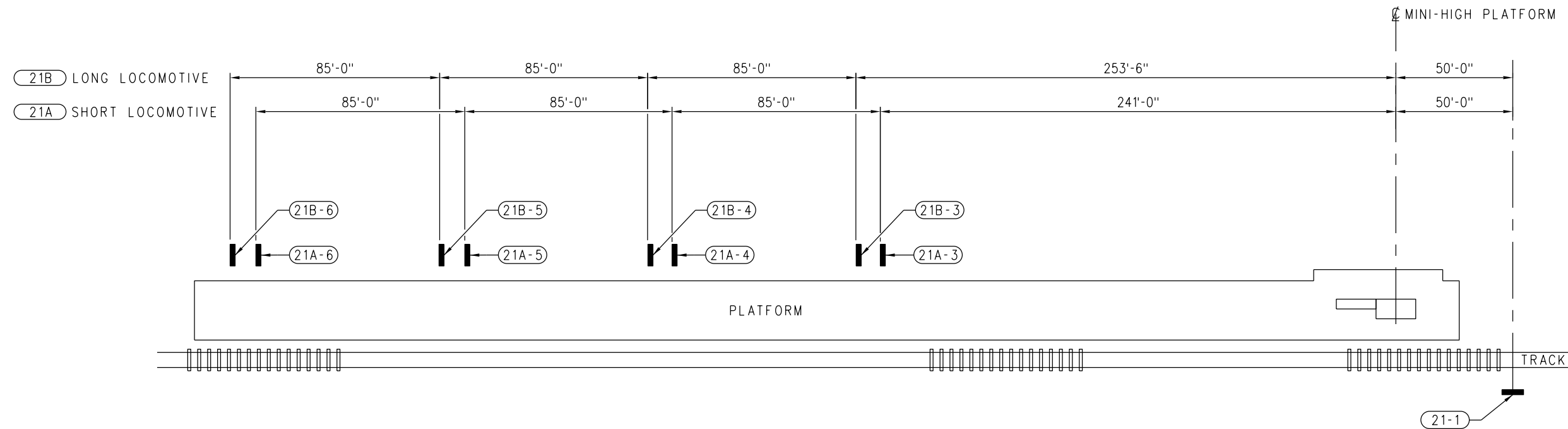
STANDARD	3330
SCALE:	NTS
REVISION SHEET	2 OF 6
CADD FILE:	ES3330-02

NOTES:

1. THIS LAYOUT REPRESENTS A TYPICAL METROLINK STATION PLATFORM AND IS SHOWN FOR REFERENCE ONLY. ACTUAL STATIONS MAY VARY FROM THIS PLAN.
2. SEE ES3330-01 FOR SIGN DETAILS.
3. SIGNS ARE SHOWN OFF PLATFORM. SITE CONDITIONS MAY VARY REQUIRING SIGNS TO BE PLACED ON PLATFORM OR ON OPPOSITE SIDE OF TRACKS.
4. FIELD LOCATE SIGNS TO ENSURE NO OBSTRUCTIONS TO THE TRAIN ENGINEER.

← AWAY FROM LOS ANGELES
OUTBOUND

→ TO LOS ANGELES
INBOUND



SIDE PLATFORM - SINGLE

REV.	DATE	DESCRIPTION	DES.	ENG.
B	05-29-20	SIGN NUMBERS AND DRAWING TITLE	AC	JMM
A	04/19/12	SPOT CAB DIMENSIONS	AC	NDP
DRAWN BY: A. CARLOS DATE: 04/01/09 PRINCIPAL ENGINEER, DESIGN & STANDARDS ASSISTANT DIRECTOR, DESIGN				

SCRRRA ENGINEERING STANDARDS ARE INTENDED FOR SCRRRA APPROVED USES ONLY. FOR NON-SCRRRA APPROVED USES, SCRRRA SHALL NOT BE RESPONSIBLE FOR THE ACCURACY OR COMPLETENESS OF THE DATA OR INFORMATION CONTAINED HEREIN. THE SELECTION AND USE OF THESE STANDARDS IS THE SOLE RESPONSIBILITY OF THE USER AND SHOULD NOT BE USED WITHOUT CONSULTING A REGISTERED PROFESSIONAL ENGINEER. ALL WARRANTIES AND REPRESENTATIONS OF ANY KIND ARE DISCLAIMED. ANYONE MAKING USE OF THIS INFORMATION AGREES THAT IT ASSUMES ALL LIABILITY ARISING FROM SUCH USE. NO PART OF THESE STANDARDS SHOULD BE REPRODUCED OR DISTRIBUTED IN ANY FORM OR BY ANY MEANS WITHOUT THE PRIOR WRITTEN PERMISSION OF SCRRRA. ALL RIGHTS RESERVED.

METROLINK
 SOUTHERN CALIFORNIA REGIONAL RAIL AUTHORITY
 900 WILSHIRE BLVD., SUITE 1500, L. A., CA. 90017

ENGINEERING STANDARDS
 SIGN TYPE 21
 SIDE PLATFORM-SINGLE
 TYPICAL MARKER LOCATION PLAN

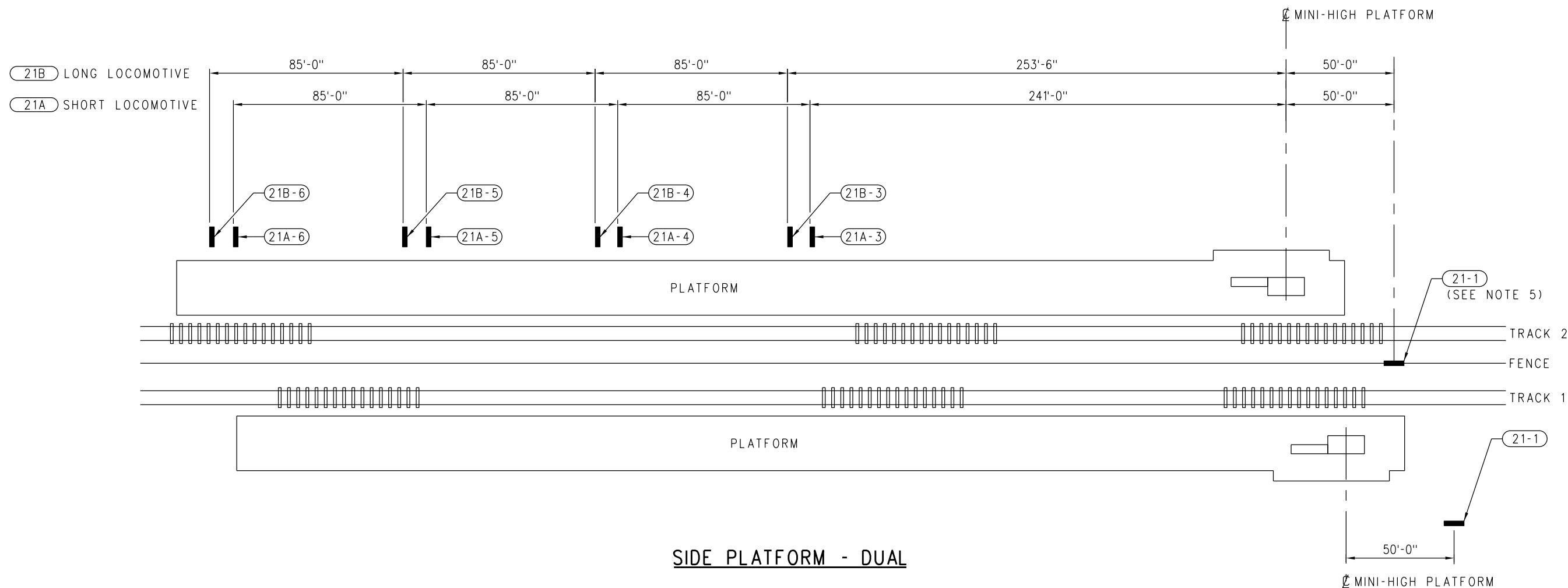
STANDARD	3330
SCALE:	NTS
REVISION SHEET	B 3 OF 6
CADD FILE:	ES3330-03

NOTES:

1. THIS LAYOUT REPRESENTS A TYPICAL METROLINK STATION PLATFORM AND IS SHOWN FOR REFERENCE ONLY. ACTUAL STATIONS MAY VARY FROM THIS PLAN.
2. SEE ES3330-01 FOR SIGN DETAILS.
3. SIGNS ARE SHOWN OFF PLATFORM. SITE CONDITIONS MAY VARY REQUIRING SIGNS TO BE PLACED ON PLATFORM OR ON OPPOSITE SIDE OF TRACKS.
4. FIELD LOCATE SIGNS TO ENSURE NO OBSTRUCTIONS TO THE TRAIN ENGINEER.
5. WHERE MINI-HIGH PLATFORMS DO NOT ALIGN, TWO SETS OF CAR-LOCATOR SIGNS WILL BE REQUIRED.

← AWAY FROM LOS ANGELES
OUTBOUND

→ TO LOS ANGELES
INBOUND



REV.	DATE	DESCRIPTION	DES.	ENG.
B	05-29-20	PLAN, SIGN NUMBERS AND DRAWING TITLE	AC	JMM
A	04/19/12	SPOT CAB LOCATIONS	AC	NDP

DRAWN BY: A. CARLOS DATE: 04/01/09

[Signature]
PRINCIPAL ENGINEER, DESIGN & STANDARDS

[Signature]
ASSISTANT DIRECTOR, DESIGN

SCRR ENGINEERING STANDARDS ARE INTENDED FOR SCRR APPROVED USES ONLY. FOR NON-SCRR APPROVED USES, SCRR SHALL NOT BE RESPONSIBLE FOR THE ACCURACY OR COMPLETENESS OF THE DATA OR INFORMATION CONTAINED HEREIN. THE SELECTION AND USE OF THESE STANDARDS IS THE SOLE RESPONSIBILITY OF THE USER AND SHOULD NOT BE USED WITHOUT CONSULTING A REGISTERED PROFESSIONAL ENGINEER. ALL WARRANTIES AND REPRESENTATIONS OF ANY KIND ARE DISCLAIMED. ANYONE MAKING USE OF THIS INFORMATION AGREES THAT IT ASSUMES ALL LIABILITY ARISING FROM SUCH USE. NO PART OF THESE STANDARDS SHOULD BE REPRODUCED OR DISTRIBUTED IN ANY FORM OR BY ANY MEANS WITHOUT THE PRIOR WRITTEN PERMISSION OF SCRR. ALL RIGHTS RESERVED.

METROLINK

SOUTHERN CALIFORNIA REGIONAL RAIL AUTHORITY
900 WILSHIRE BLVD., SUITE 1500, L. A., CA. 90017

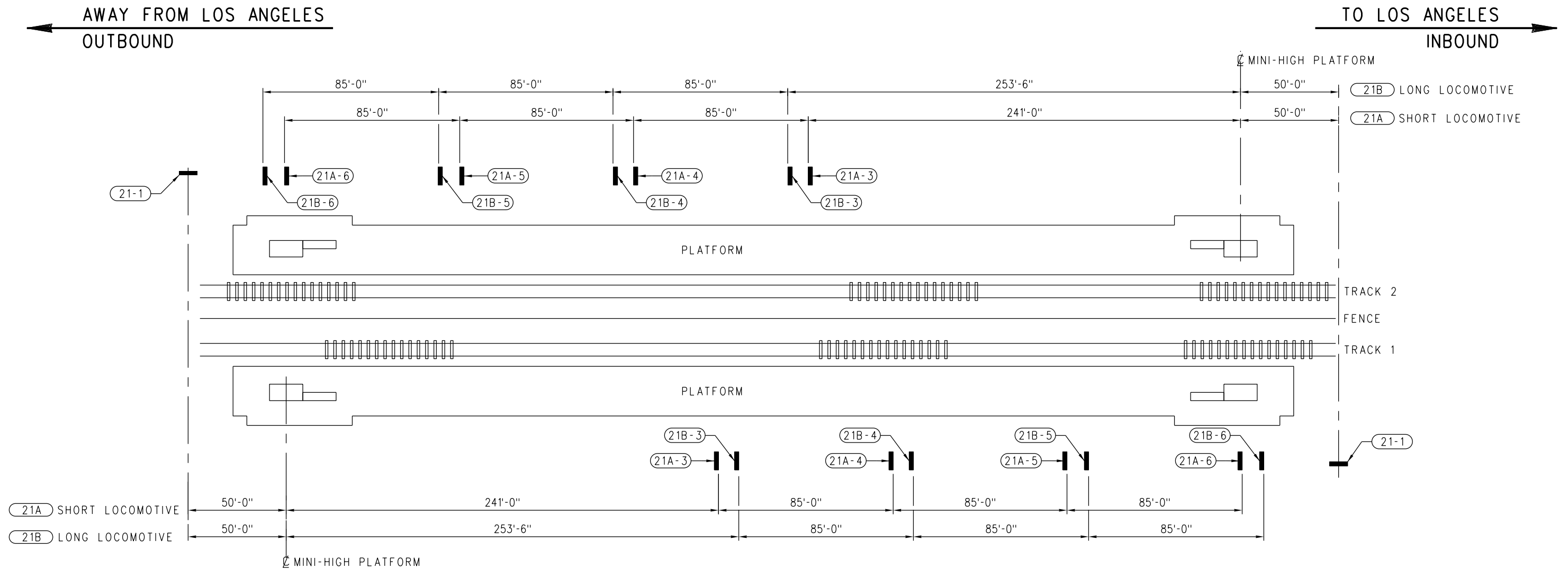
ENGINEERING STANDARDS

SIGN TYPE 21
SIDE PLATFORMS-DUAL
TYPICAL MARKER LOCATION PLAN

STANDARD	3330
SCALE:	NTS
REVISION SHEET	B 4 OF 6
CADD FILE:	ES3330-04

NOTES:

1. THIS LAYOUT REPRESENTS A TYPICAL METROLINK STATION PLATFORM AND IS SHOWN FOR REFERENCE ONLY. ACTUAL STATIONS MAY VARY FROM THIS PLAN.
2. SEE ES3330-01 FOR SIGN DETAILS.
3. SIGNS ARE SHOWN OFF PLATFORM. SITE CONDITIONS MAY VARY REQUIRING SIGNS TO BE PLACED ON PLATFORM OR ON OPPOSITE SIDE OF TRACKS.
4. FIELD LOCATE SIGNS TO ENSURE NO OBSTRUCTIONS TO THE TRAIN ENGINEER.
5. FOR SIDE OR CENTER STATION PLATFORMS, WHERE SERVICE IS BI-DIRECTIONAL WITH MINI-HIGH PLATFORMS ON BOTH ENDS OF THE PLATFORM, ADDITIONAL SET OF TYPE 21 SIGNS TO BE PLACED ON INBOUND TRACK. SIDE PLATFORMS SHOWN.



SIDE PLATFORM - BI-DIRECTIONAL SERVICE
SEE NOTE 5

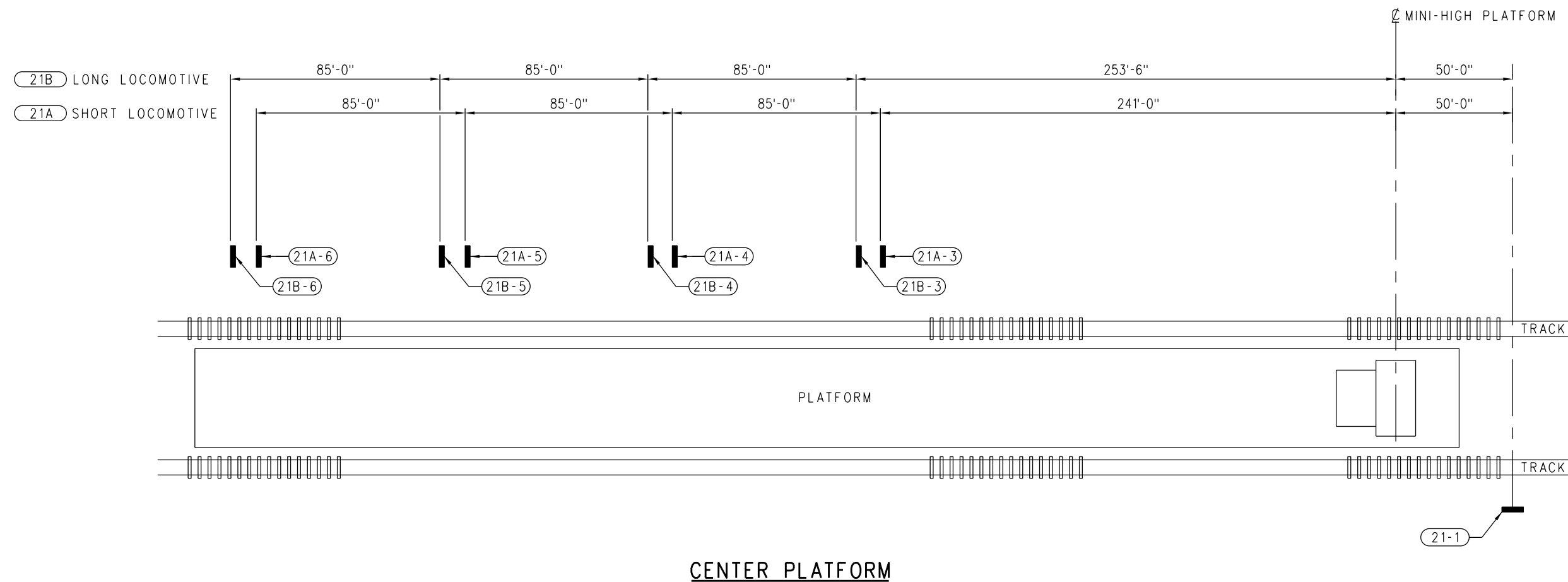
DRAWN BY: A. CARLOS		DATE: 04/01/09	<small>SCRRRA ENGINEERING STANDARDS ARE INTENDED FOR SCRRRA APPROVED USES ONLY. FOR NON-SCRRRA APPROVED USES SCRRRA SHALL NOT BE RESPONSIBLE FOR THE ACCURACY OR COMPLETENESS OF THE DATA OR INFORMATION CONTAINED HEREIN. THE SELECTION AND USE OF THESE STANDARDS IS THE SOLE RESPONSIBILITY OF THE USER AND SHOULD NOT BE USED WITHOUT CONSULTING A REGISTERED PROFESSIONAL ENGINEER. ALL WARRANTIES AND REPRESENTATIONS OF ANY KIND ARE DISCLAIMED. ANYONE MAKING USE OF THIS INFORMATION AGREES THAT IT ASSUMES ALL LIABILITY ARISING FROM SUCH USE. NO PART OF THESE STANDARDS SHOULD BE REPRODUCED OR DISTRIBUTED IN ANY FORM OR BY ANY MEANS WITHOUT THE PRIOR WRITTEN PERMISSION OF SCRRRA. ALL RIGHTS RESERVED.</small>	METROLINK SOUTHERN CALIFORNIA REGIONAL RAIL AUTHORITY 900 WILSHIRE BLVD., SUITE 1500, L. A., CA. 90017	ENGINEERING STANDARDS		STANDARD 3330
PRINCIPAL ENGINEER, DESIGN & STANDARDS <i>[Signature]</i>		ASSISTANT DIRECTOR, DESIGN <i>[Signature]</i>			SIGN TYPE 21 SIDE PLATFORMS - BI-DIRECTIONAL SERVICE TYPICAL MARKER LOCATION PLAN		SCALE: NTS
REV.	DATE	DESCRIPTION	DES.	ENG.	CADD FILE: ES3330-05		
B	05-29-20	PLAN, SIGN NUMBERS AND DRAWING TITLE	AC	JMM			
A	04/19/12	SPOT CAB LOCATIONS	AC	NDP			

NOTES:

1. THIS LAYOUT REPRESENTS A TYPICAL METROLINK STATION PLATFORM AND IS SHOWN FOR REFERENCE ONLY. ACTUAL STATIONS MAY VARY FROM THIS PLAN.
2. SEE ES3330-01 FOR SIGN DETAILS.
3. SIGNS ARE SHOWN OFF PLATFORM. SITE CONDITIONS MAY VARY REQUIRING SIGNS TO BE PLACED ON PLATFORM OR ON OPPOSITE SIDE OF TRACKS.
4. FIELD LOCATE SIGNS TO ENSURE NO OBSTRUCTIONS TO THE TRAIN ENGINEER.

← AWAY FROM LOS ANGELES
OUTBOUND

→ TO LOS ANGELES
INBOUND



REV.	DATE	DESCRIPTION	DES.	ENG.
B	05-29-20	PLAN, SIGN NUMBERS AND DRAWING TITLE	AC	JMM
A	04/19/12	SPOT CAB LOCATIONS	AC	NDP

DRAWN BY: A. CARLOS DATE: 04/01/09

[Signature]
PRINCIPAL ENGINEER, DESIGN & STANDARDS

[Signature]
ASSISTANT DIRECTOR, DESIGN

SCRRRA ENGINEERING STANDARDS ARE INTENDED FOR SCRRRA APPROVED USES ONLY. FOR NON-SCRRRA APPROVED USES, SCRRRA SHALL NOT BE RESPONSIBLE FOR THE ACCURACY OR COMPLETENESS OF THE DATA OR INFORMATION CONTAINED HEREIN. THE SELECTION AND USE OF THESE STANDARDS IS THE SOLE RESPONSIBILITY OF THE USER AND SHOULD NOT BE USED WITHOUT CONSULTING A REGISTERED PROFESSIONAL ENGINEER. ALL WARRANTIES AND REPRESENTATIONS OF ANY KIND ARE DISCLAIMED. ANYONE MAKING USE OF THIS INFORMATION AGREES THAT IT ASSUMES ALL LIABILITY ARISING FROM SUCH USE. NO PART OF THESE STANDARDS SHOULD BE REPRODUCED OR DISTRIBUTED IN ANY FORM OR BY ANY MEANS WITHOUT THE PRIOR WRITTEN PERMISSION OF SCRRRA. ALL RIGHTS RESERVED.

METROLINK

SOUTHERN CALIFORNIA REGIONAL RAIL AUTHORITY
900 WILSHIRE BLVD., SUITE 1500, L. A., CA. 90017

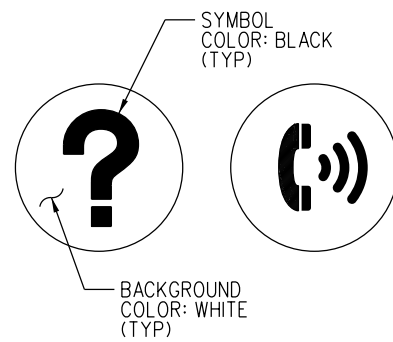
ENGINEERING STANDARDS

SIGN TYPE 21
CENTER PLATFORM
TYPICAL MARKER LOCATION PLAN

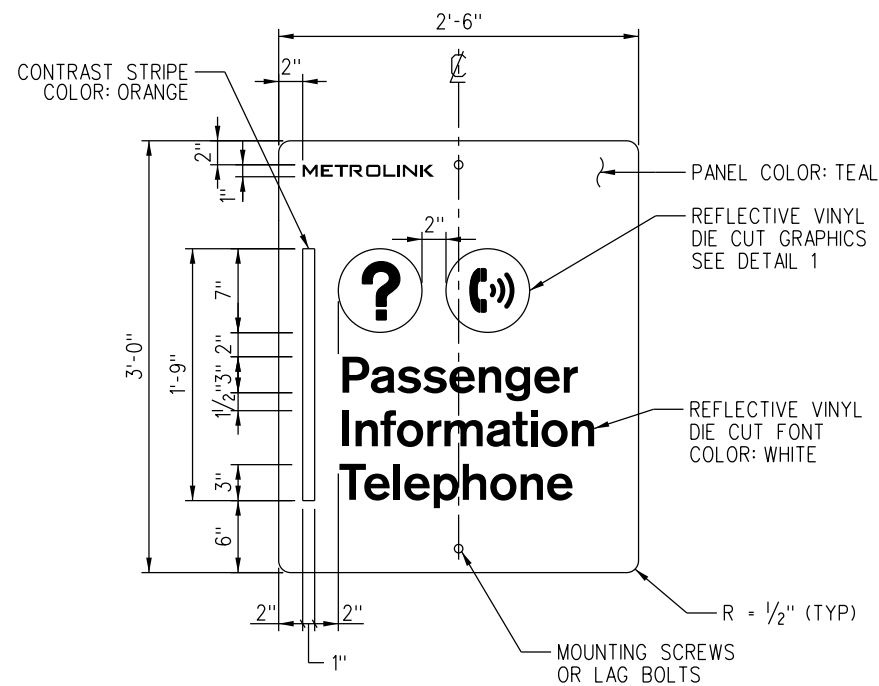
STANDARD	3330
SCALE:	NTS
REVISION SHEET	B 6 OF 6
CADD FILE:	ES3330-06

NOTES:

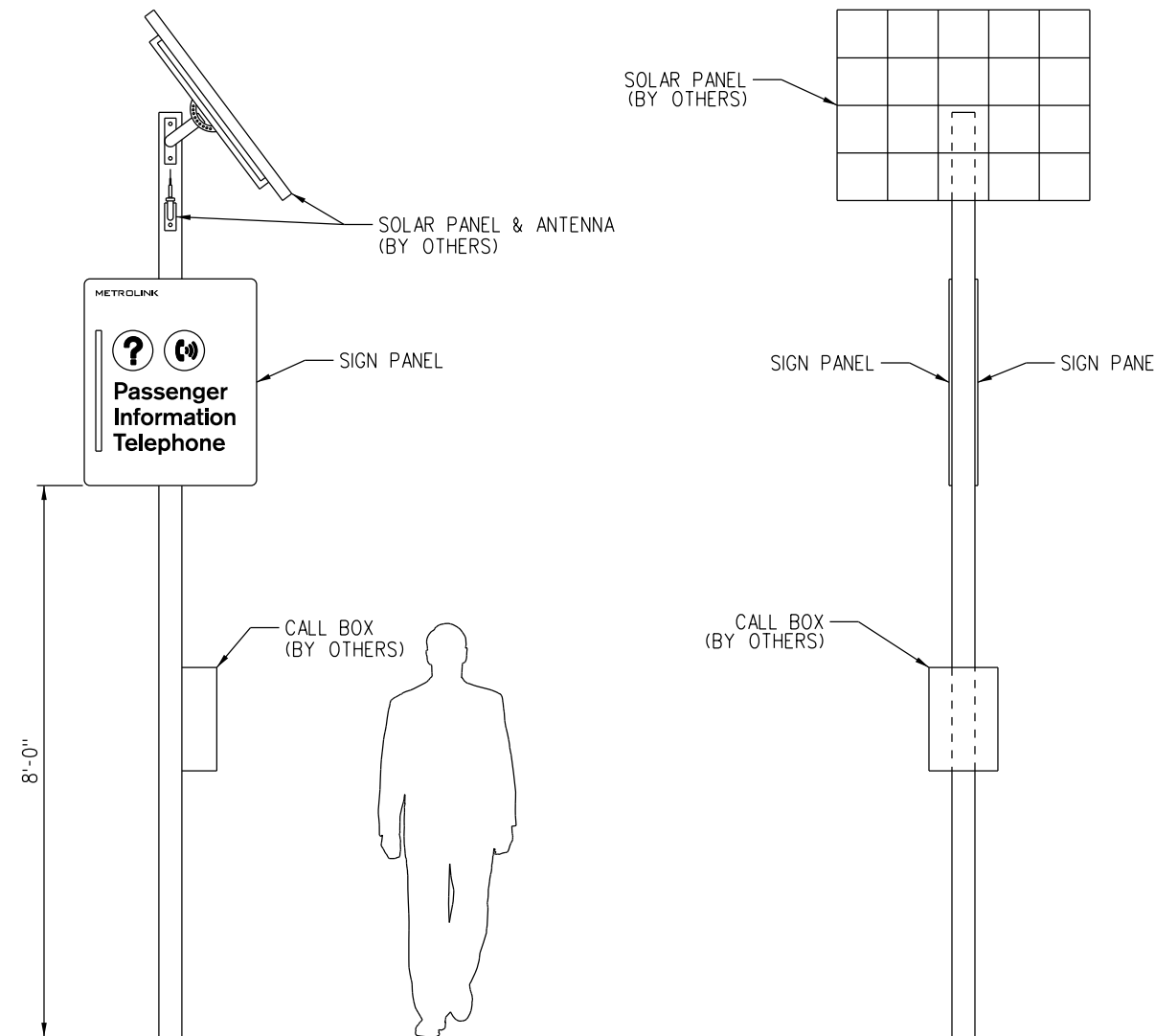
1. SIGN TO BE CONSTRUCTED OF 1/8" THICK ALUMINUM.
2. SPECIFIC COLORS OF THE COLORS NOTED ARE SPECIFIED ON ES3301-02.
3. FONTS, SYMBOLS AND ARROWS SHALL BE SILKSCREENED OR PAINTED, UNLESS OTHERWISE NOTED.
4. SEAL SIGN WITH TRANSPARENT ANTI-GRAFFITI FILM.
5. FOR SIGN MOUNTING DETAILS, SEE DETAILS ON ES3340.
6. ALL FASTENERS AND MOUNTINGS SHALL BE GALVANIZED OR STAINLESS STEEL AND PAINTED TO MATCH SURROUNDING COLOR.
7. CONTINUE PAINT COLOR USED ON FRONT SURFACE OF SIGNS TO SIDES. PAINT BACK OF PANEL WITH DOMINANT COLOR.



DETAIL 1
SCALE: NONE



SIGN LAYOUT A
SCALE: 1/2" = 1'-0"



ELEVATION B
SCALE: NONE
CENTER MOUNT TO SQUARE POST

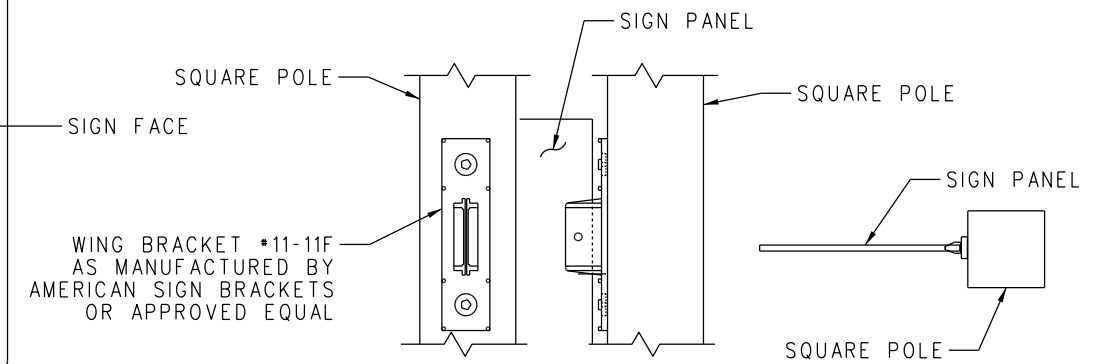
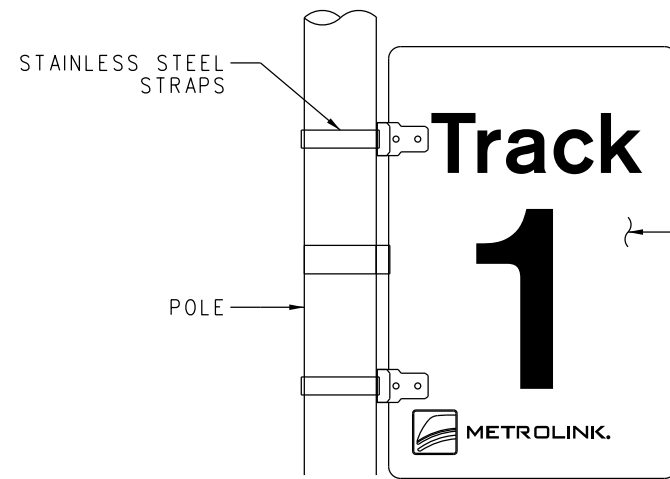
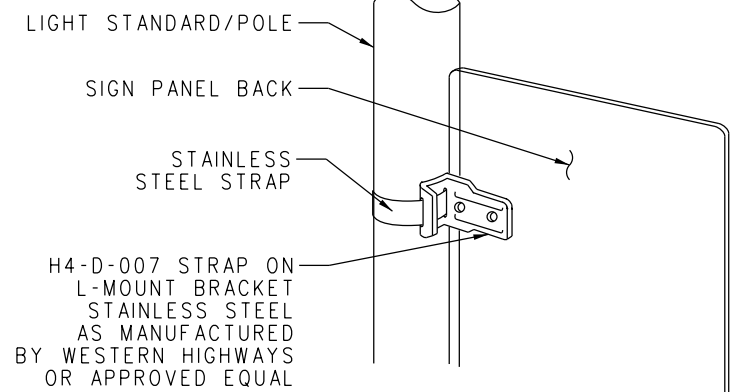
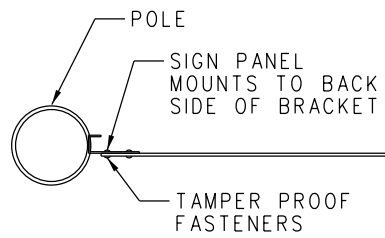
REV.	DATE	DESCRIPTION	DES.	ENG.
C	7-12-22	REMOVED TIER 4 LOGO FROM SIGNAGE	AC	TQ
B	05-29-20	REVISED DETAILS AND DRAWING TITLE	AC	JMM
A	03-22-17	REVISED SIGN DETAILS	AC	DJM

DRAWN BY: A. CARLOS DATE: 04/01/09
 PRINCIPAL ENGINEER, DESIGN & STANDARDS
 ASSISTANT DIRECTOR, DESIGN

METROLINK
 SOUTHERN CALIFORNIA REGIONAL RAIL AUTHORITY
 900 WILSHIRE BLVD., SUITE 1500, L. A., CA. 90017

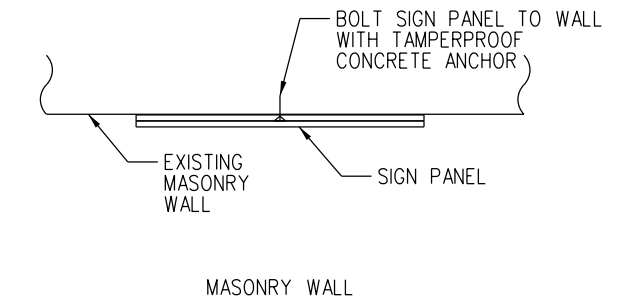
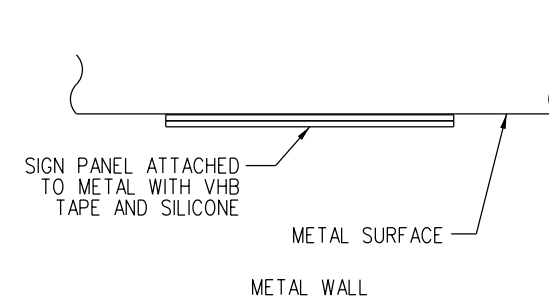
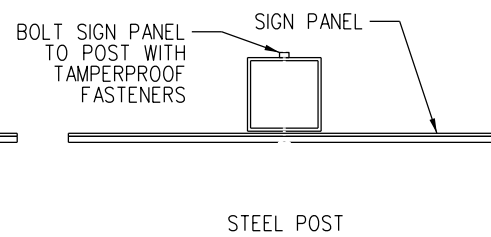
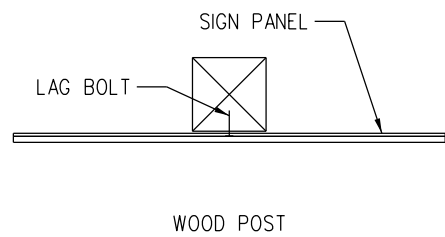
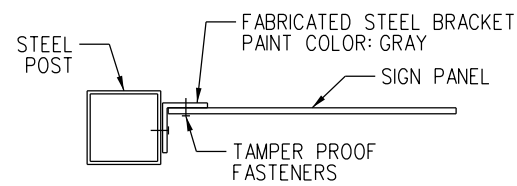
ENGINEERING STANDARDS
 SIGN TYPE 22
 PASSENGER INFORMATION TELEPHONE

STANDARD	3332
SCALE:	AS NOTED
REVISION SHEET	C 1 OF 1
CADD FILE:	ES3332



① FLAG MOUNT TO ROUND POLE

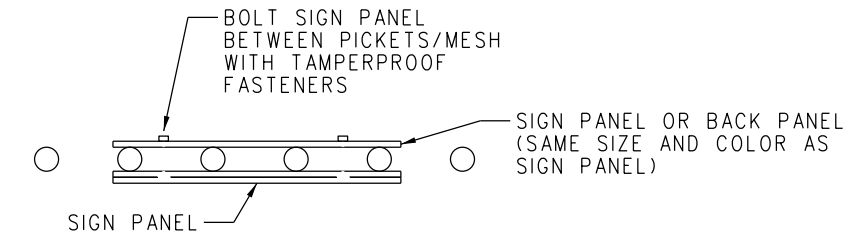
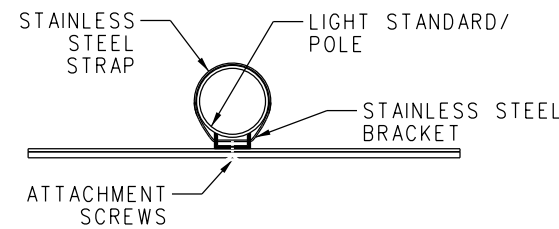
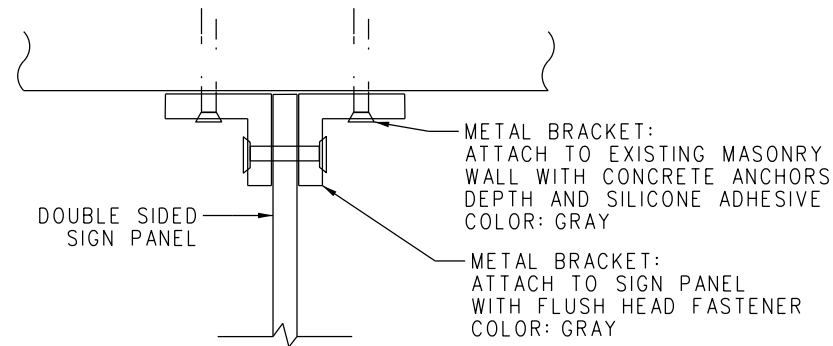
② FLAG MOUNT TO SQUARE POLE



③ FLAG MOUNT TO SQUARE STEEL POST

④ CENTER MOUNT TO SQUARE POST

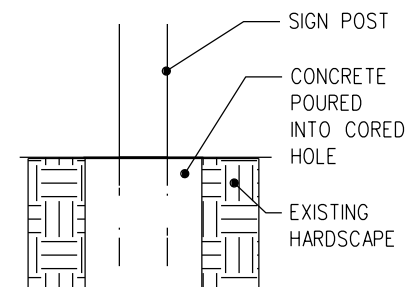
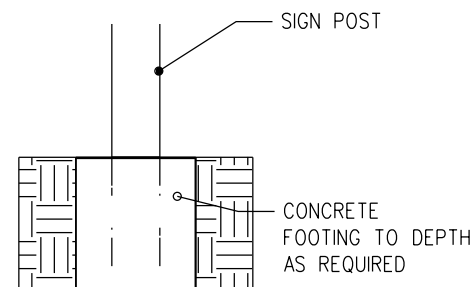
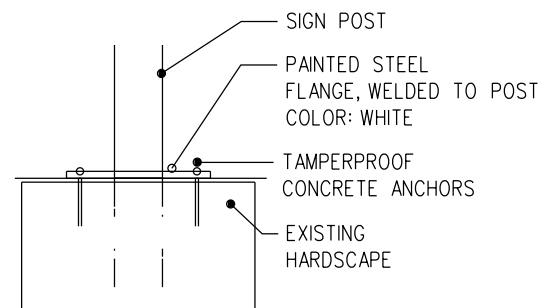
⑤ FLUSH MOUNT TO WALL



⑦ CENTER MOUNT TO ROUND POLE

⑧ FENCE MOUNT

⑥ FLAG MOUNT TO MASONRY WALL



⑨ HARDSCAPE MOUNTING WITH FLANGE

⑩ LANDSCAPE MOUNTING

⑪ HARDSCAPE MOUNTING CORE AND DRILL

REV.	DATE	DESCRIPTION	DES.	ENG.
B	05-29-20	REVISED DETAILS, DRAWING TITLE & NUMBER	AC	JMM
A	03-22-17	REVISED DETAIL "I"	AC	DJM

DRAWN BY: A. CARLOS DATE: 04/01/09
 SCRRRA ENGINEERING STANDARDS ARE INTENDED FOR SCRRRA APPROVED USES ONLY. FOR NON-SCRRRA APPROVED USES, SCRRRA SHALL NOT BE RESPONSIBLE FOR THE ACCURACY OR COMPLETENESS OF THE DATA OR INFORMATION CONTAINED HEREIN. THE SELECTION AND USE OF THESE STANDARDS IS THE SOLE RESPONSIBILITY OF THE USER AND SHOULD NOT BE USED WITHOUT CONSULTING A REGISTERED PROFESSIONAL ENGINEER. ALL WARRANTIES AND REPRESENTATIONS OF ANY KIND ARE DISCLAIMED. ANYONE MAKING USE OF THIS INFORMATION AGREES THAT IT ASSUMES ALL LIABILITY ARISING FROM SUCH USE. NO PART OF THESE STANDARDS SHOULD BE REPRODUCED OR DISTRIBUTED IN ANY FORM OR BY ANY MEANS WITHOUT THE PRIOR WRITTEN PERMISSION OF SCRRRA. ALL RIGHTS RESERVED.

METROLINK
 SOUTHERN CALIFORNIA REGIONAL RAIL AUTHORITY
 900 WILSHIRE BLVD., SUITE 1500, L. A., CA. 90017


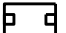
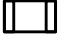








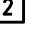


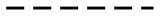
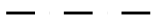


ENGINEERING STANDARDS		STANDARD	3340
SIGN MOUNTING DETAILS		SCALE:	NTS
		REVISION SHEET	B 1 OF 1
		CADD FILE:	ES3340

ABBREVIATIONS, LEGEND, AND GENERAL NOTES

ABBREVIATIONS:

CAT	CATEGORY
CCTV	CLOSED CIRCUIT TELEVISION
CIS	CUSTOMER INFORMATION SYSTEM
CS	COMMUNICATIONS SHELTER
C/F	CLOSED CIRCUIT TELEVISION AND FIBER OPTIC
DA	DATA ACQUISITION
D/T	DATA ACQUISITION / TELEPHONE
(E)	EXISTING
EMP	EMERGENCY MANAGEMENT PANEL
ET	EMERGENCY TELEPHONE
FO	FIBER OPTIC
FOPP	FIBER OPTIC PATCH PANEL
HDMI	HIGH DEFINITION MULTI-MEDIA INTERFACE
IC	INTERFACE CONVERTER
KVM	KEYBOARD, VIDEO, MOUSE
LED	LIQUID EMITTING DIODE MESSAGE SIGN
LVM	LIGHT EMITTING DIODE VIDEO MONITOR
MC	MEDIA CONVERTER
MMFO	MULTIMODE FIBER OPTIC
MTTV	MULTI-TRIP TICKET VALIDATOR MACHINE
NMP	NETWORK MEDIA PLAYER
P	POWER
PA	PUBLIC ADDRESS
PC	PRIORITY CONTROLLER
PDP	POWER DISTRIBUTION PANEL
POE	POWER OVER ETHERNET
PVC	POLYVINYL CHLORIDE CONDUIT
RJ	REGISTERED JACK
RS	RECOMMENDED STANDARD
T	TELEPHONE
TDD	TELECOMMUNICATION DEVICE FOR THE DEAF
TVD	TICKET VENDING DEVICE
TVSS	TRANSIENT VOLTAGE SUPPRESSION SYSTEM
UPS	UNINTERRUPTIBLE POWER SUPPLY
VAC	VOLTS ALTERNATING CURRENT
VMS	VIDEO MANAGEMENT SYSTEM

LEGEND:

	LIGHT POLE WITH CAMERA / SPEAKER/ LED MESSAGE SIGN
	CANOPY
	AMBIENT NOISE SENSOR
	STROBE LIGHT
	SPEAKER
	LED MESSAGE SIGN
	LED VIDEO MONITOR
	VAULT (4' x 4' x 4')
	COMM. PULL BOX (11" x 17")
	ELEC. PULL BOX (11" x 17")
	ELEC. PULL BOX (17"L X 11"W X 12"D)
	COMM. PULL BOX (17"L X 11"W X 12"D)
	STUB
	1" CONDUIT (1 EA.)
	2" CONDUIT (QTY.)
	3" CONDUIT (QTY.)
	4" CONDUIT (QTY.)
	ROW OR INTER-TRACK FENCE

NOTES:

1. CONSTRUCTION SHALL BE IN COMPLIANCE WITH SCRRRA, LOCAL, STATE AND FEDERAL CODES AND REGULATIONS. IF THERE ARE ANY VARIANCES OR CONFLICTS, THE MOST STRINGENT SHALL APPLY.
2. CONDUIT SIZES SHOWN AT STUB-OUTS TYPICAL FOR ENTIRE RUN UNLESS NOTED OTHERWISE.
3. ALL CONDUITS SHALL BE PVC MINIMUM 2'-0" BELOW GRADE.
4. REFER TO ARCHITECTURAL DRAWINGS FOR LOCATION OF PULL BOXES, PRIOR TO ROUGH-IN OF CONDUITS. ARCHITECT SHALL COORDINATE WITH SIGNAL AND COMMUNICATIONS, AND ELECTRICAL ENGINEER FOR LOCATIONS OF PULLBOXES AS NEEDED.
5. PROVIDE 12" SEPARATION BETWEEN POWER AND COMMUNICATION CONDUITS.
6. CONDUITS TO BE STUBBED INTO BOTTOM OF JUNCTION BOX.
7. PROVIDE SEPARATE 120 VAC, 20 AMP CIRCUIT TO EACH TVD LOCATION. CONDUCTORS TO BE RUN FROM STATION POWER PANEL TO EACH TVD LOCATION; SHALL BE XHHW #10 AWG OR #12 AWG SIZED FOR LENGTH OF RUN.
8. PROVIDE 6 FOOT LONG PIGTAIL AT EACH TVD LOCATION TO ALLOW CONNECTION OF (3) CONDUCTORS (LINE, NEUTRAL, GROUND) TO EQUIPMENT.
9. FOR COMMUNICATIONS SHELTER, SEE COMMUNICATIONS STANDARD DRAWINGS ES9400 THRU ES9440.

1	05-18-20	REVISED ABBREVIATIONS, NOTES AND DRAWING NUMBER	AC	JMM
B	07-10-15	REVISED ABBREVIATIONS AND LEGEND	AC	NDP
A	09-06-12	REVISED ABBREVIATIONS, LEGEND, NOTES AND TITLE	AC	NDP
REV.	DATE	DESCRIPTION	DES.	ENG.

DRAWN BY: A. CARLOS DATE: 04/01/03

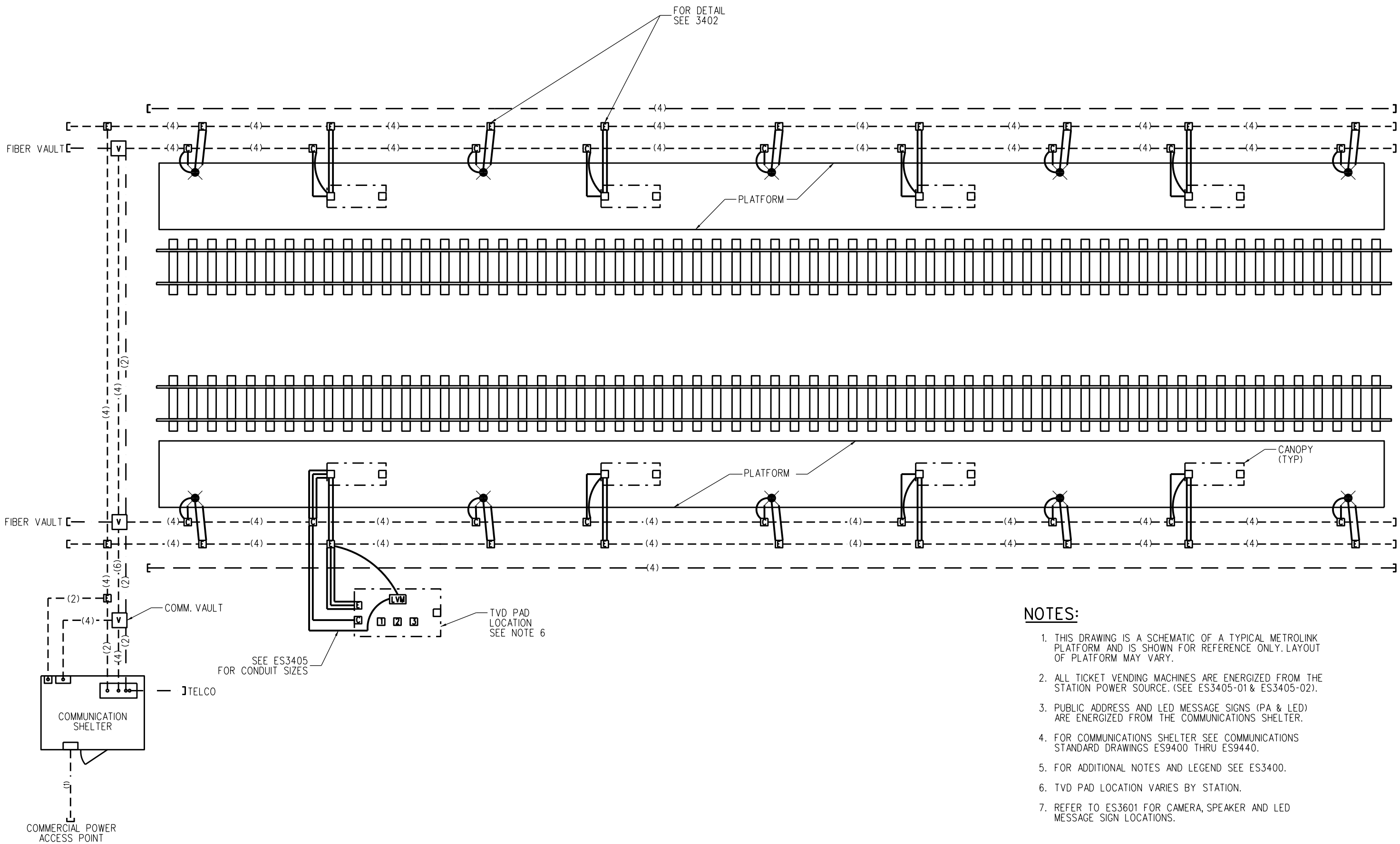
A. Carlos
PRINCIPAL ENGINEER, DESIGN & STANDARDS

Charles C. ...
ASSISTANT DIRECTOR, DESIGN

SCRRRA ENGINEERING STANDARDS ARE INTENDED FOR SCRRRA APPROVED USES ONLY. FOR NON-SCRRRA APPROVED USES, SCRRRA SHALL NOT BE RESPONSIBLE FOR THE ACCURACY OR COMPLETENESS OF THE DATA OR INFORMATION CONTAINED HEREIN. THE SELECTION AND USE OF THESE STANDARDS IS THE SOLE RESPONSIBILITY OF THE USER AND SHOULD NOT BE USED WITHOUT CONSULTING A REGISTERED PROFESSIONAL ENGINEER. ALL WARRANTIES AND REPRESENTATIONS OF ANY KIND ARE DISCLAIMED. ANYONE MAKING USE OF THIS INFORMATION AGREES THAT IT ASSUMES ALL LIABILITY ARISING FROM SUCH USE. NO PART OF THESE STANDARDS SHOULD BE REPRODUCED OR DISTRIBUTED IN ANY FORM OR BY ANY MEANS WITHOUT THE PRIOR WRITTEN PERMISSION OF SCRRRA. ALL RIGHTS RESERVED.

 **METROLINK**
SOUTHERN CALIFORNIA REGIONAL RAIL AUTHORITY
900 WILSHIRE BLVD., SUITE 1500, L. A., CA. 90017

ENGINEERING STANDARDS		STANDARD
METROLINK STATIONS ABBREVIATIONS, LEGEND AND GENERAL NOTES		3400
REVISION SHEET		SCALE: NTS
C		1 OF 1
CADD FILE:		ES3400



FOR DETAIL
SEE 3402

PLATFORM

CANOPY
(TYP)

COMM. VAULT

TVD PAD
LOCATION
SEE NOTE 6

SEE ES3405
FOR CONDUIT SIZES

TELCO

NOTES:

1. THIS DRAWING IS A SCHEMATIC OF A TYPICAL METROLINK PLATFORM AND IS SHOWN FOR REFERENCE ONLY. LAYOUT OF PLATFORM MAY VARY.
2. ALL TICKET VENDING MACHINES ARE ENERGIZED FROM THE STATION POWER SOURCE. (SEE ES3405-01 & ES3405-02).
3. PUBLIC ADDRESS AND LED MESSAGE SIGNS (PA & LED) ARE ENERGIZED FROM THE COMMUNICATIONS SHELTER.
4. FOR COMMUNICATIONS SHELTER SEE COMMUNICATIONS STANDARD DRAWINGS ES9400 THRU ES9440.
5. FOR ADDITIONAL NOTES AND LEGEND SEE ES3400.
6. TVD PAD LOCATION VARIES BY STATION.
7. REFER TO ES3601 FOR CAMERA, SPEAKER AND LED MESSAGE SIGN LOCATIONS.

REV.	DATE	DESCRIPTION	DES.	ENG.
C	05-29-20	REVISED NOTES	AC	JMM
B	07/10/15	REVISED LIGHT POLE SYMBOLS, ADD NOTE 6	AC	NDP
A	09/07/12	OMIT MTTV, TVM, DVM, REVISE NOTE 1 & TVM PAD	AC	NDP

DRAWN BY: A. CARLOS DATE: 04/01/03

[Signature]
PRINCIPAL ENGINEER, DESIGN & STANDARDS

[Signature]
ASSISTANT DIRECTOR, DESIGN

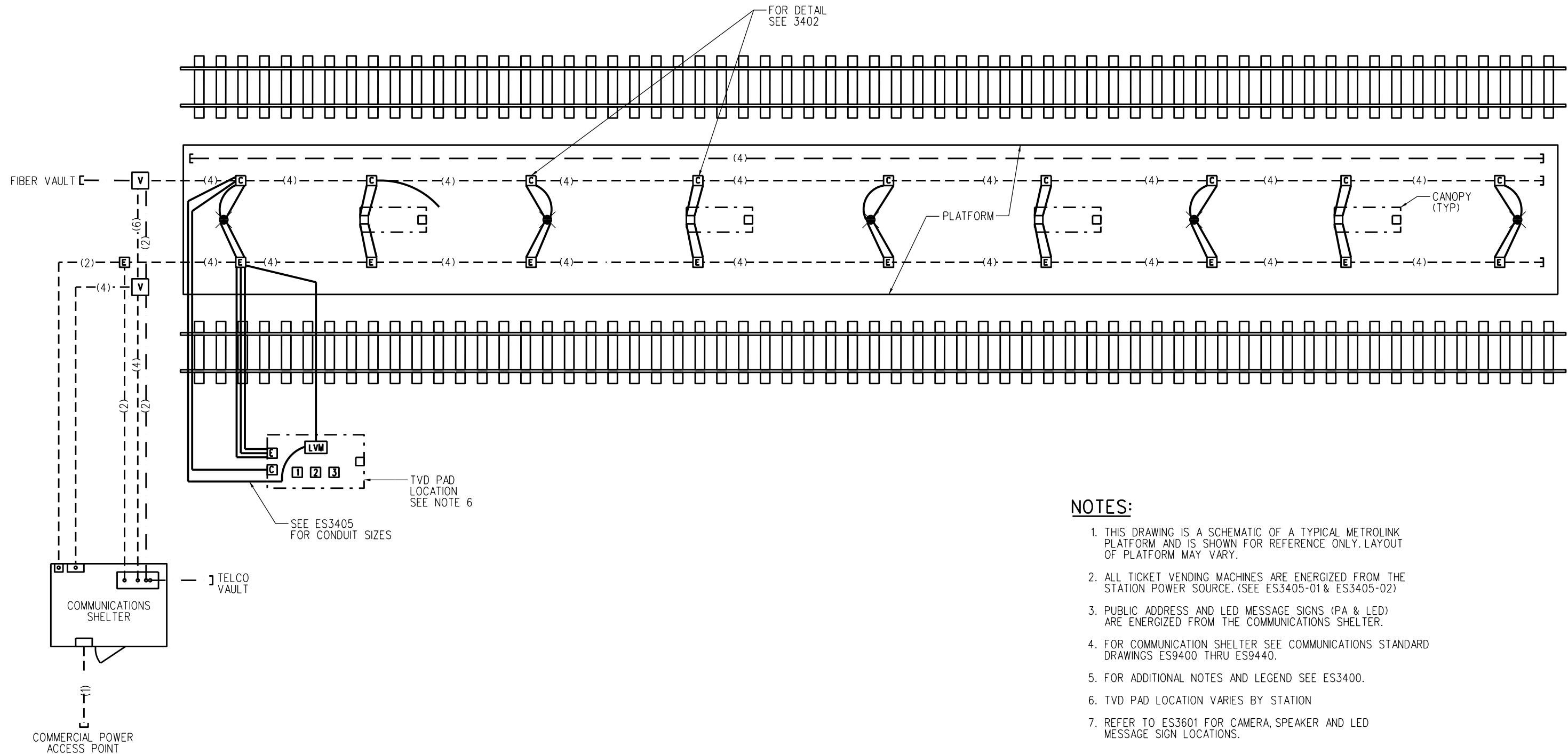
SCRR ENGINEERING STANDARDS ARE INTENDED FOR SCRR APPROVED USES ONLY. FOR NON-SCRR APPROVED USES, SCRR SHALL NOT BE RESPONSIBLE FOR THE ACCURACY OR COMPLETENESS OF THE DATA OR INFORMATION CONTAINED HEREIN. THE SELECTION AND USE OF THESE STANDARDS IS THE SOLE RESPONSIBILITY OF THE USER AND SHOULD NOT BE USED WITHOUT CONSULTING A REGISTERED PROFESSIONAL ENGINEER. ALL WARRANTIES AND REPRESENTATIONS OF ANY KIND ARE DISCLAIMED. ANYONE MAKING USE OF THIS INFORMATION AGREES THAT IT ASSUMES ALL LIABILITY ARISING FROM SUCH USE. NO PART OF THESE STANDARDS SHOULD BE REPRODUCED OR DISTRIBUTED IN ANY FORM OR BY ANY MEANS WITHOUT THE PRIOR WRITTEN PERMISSION OF SCRR. ALL RIGHTS RESERVED.

METROLINK
SOUTHERN CALIFORNIA REGIONAL RAIL AUTHORITY
900 WILSHIRE BLVD., SUITE 1500, L. A., CA. 90017

ENGINEERING STANDARDS

METROLINK STATION CONDUIT LAYOUT
SIDE PLATFORM

STANDARD	3401
SCALE:	NTS
REVISION SHEET	C 1 OF 2
CADD FILE:	ES3401-01



NOTES:

1. THIS DRAWING IS A SCHEMATIC OF A TYPICAL METROLINK PLATFORM AND IS SHOWN FOR REFERENCE ONLY. LAYOUT OF PLATFORM MAY VARY.
2. ALL TICKET VENDING MACHINES ARE ENERGIZED FROM THE STATION POWER SOURCE. (SEE ES3405-01 & ES3405-02)
3. PUBLIC ADDRESS AND LED MESSAGE SIGNS (PA & LED) ARE ENERGIZED FROM THE COMMUNICATIONS SHELTER.
4. FOR COMMUNICATION SHELTER SEE COMMUNICATIONS STANDARD DRAWINGS ES9400 THRU ES9440.
5. FOR ADDITIONAL NOTES AND LEGEND SEE ES3400.
6. TVD PAD LOCATION VARIES BY STATION
7. REFER TO ES3601 FOR CAMERA, SPEAKER AND LED MESSAGE SIGN LOCATIONS.

REV.	DATE	DESCRIPTION	DES.	ENG.
C	05-29-20	REVISED NOTES	AC	JMM
B	07/10/15	REVISED LIGHT POLE SYMBOLS, ADD NOTE 6	AC	NDP
A	09/07/12	OMITTED MTTV, TVM, DVM, REVISE NOTE 1 & TVM PAD	AC	NDP

DRAWN BY: A. CARLOS DATE: 07/21/09

[Signature]
 PRINCIPAL ENGINEER, DESIGN & STANDARDS

[Signature]
 ASSISTANT DIRECTOR, DESIGN

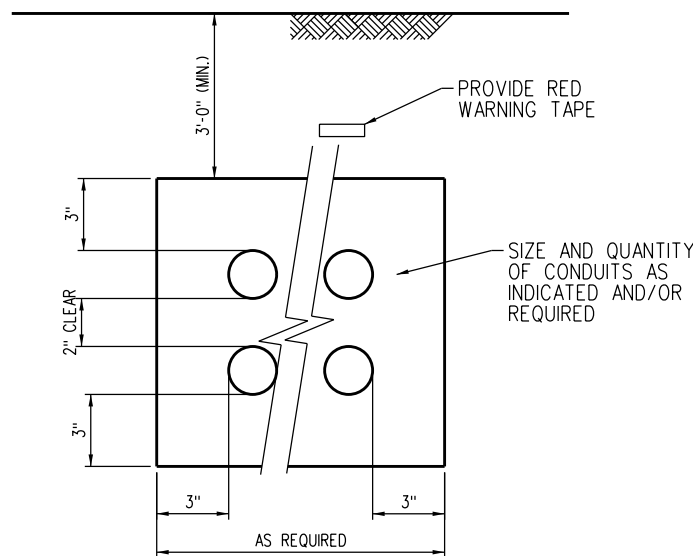
SCRR ENGINEERING STANDARDS ARE INTENDED FOR SCRR APPROVED USES ONLY. FOR NON-SCRR APPROVED USES, SCRR SHALL NOT BE RESPONSIBLE FOR THE ACCURACY OR COMPLETENESS OF THE DATA OR INFORMATION CONTAINED HEREIN. THE SELECTION AND USE OF THESE STANDARDS IS THE SOLE RESPONSIBILITY OF THE USER AND SHOULD NOT BE USED WITHOUT CONSULTING A REGISTERED PROFESSIONAL ENGINEER. ALL WARRANTIES AND REPRESENTATIONS OF ANY KIND ARE DISCLAIMED. ANYONE MAKING USE OF THIS INFORMATION AGREES THAT IT ASSUMES ALL LIABILITY ARISING FROM SUCH USE. NO PART OF THESE STANDARDS SHOULD BE REPRODUCED OR DISTRIBUTED IN ANY FORM OR BY ANY MEANS WITHOUT THE PRIOR WRITTEN PERMISSION OF SCRR. ALL RIGHTS RESERVED.

METROLINK
 SOUTHERN CALIFORNIA REGIONAL RAIL AUTHORITY
 900 WILSHIRE BLVD., SUITE 1500, L. A., CA. 90017

ENGINEERING STANDARDS

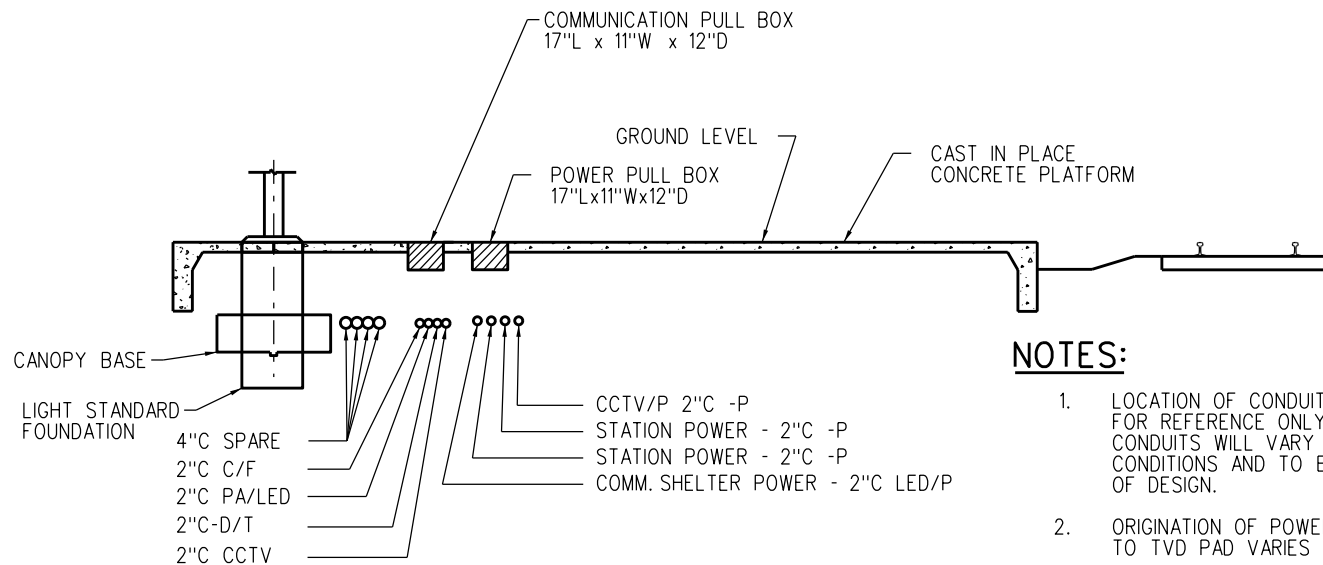
METROLINK STATION CONDUIT LAYOUT
 CENTER PLATFORM

STANDARD	3401
SCALE:	NTS
REVISION SHEET	C 2 OF 2
CADD FILE:	ES3401-02



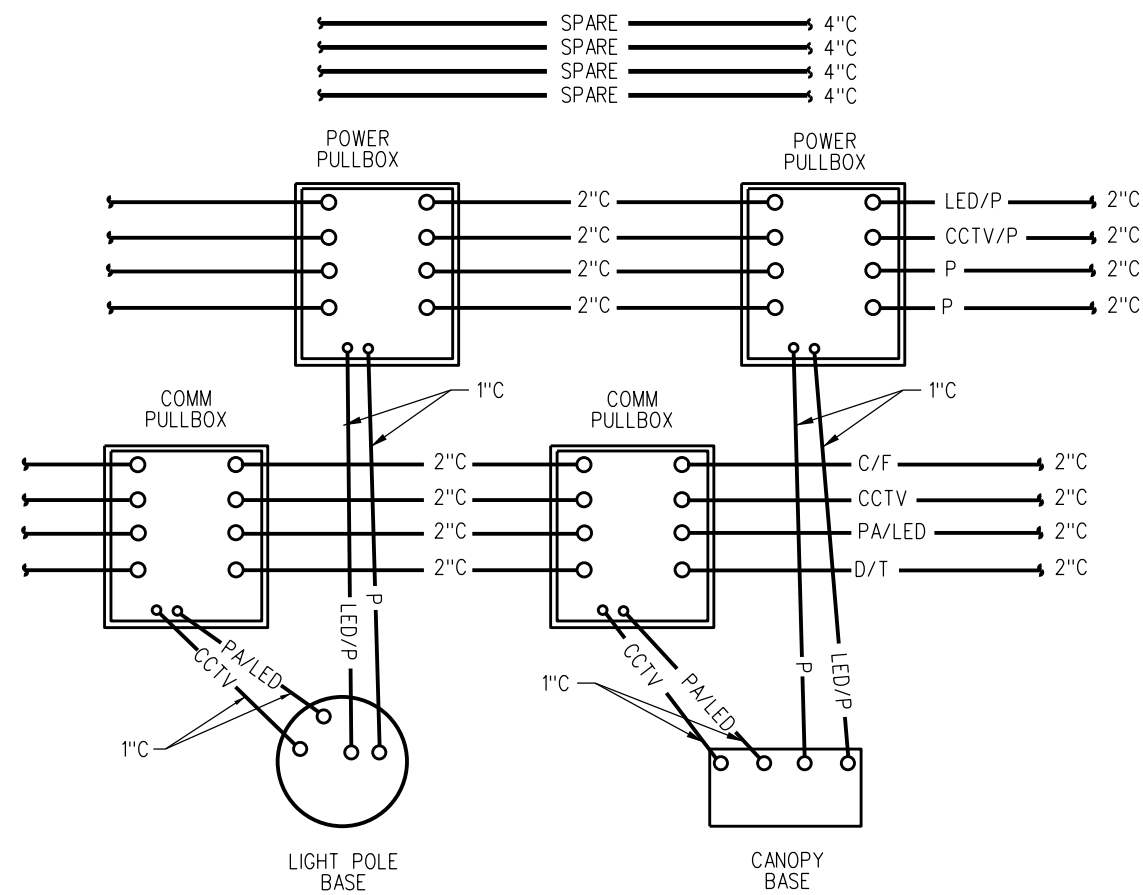
- NOTES:**
1. ALL CONDUITS SHALL BE RED CONCRETE ENCASED WITH MINIMUM 3" CONCRETE COVER.
 2. VERTICAL AND HORIZONTAL SEPARATION BETWEEN CONDUITS SHALL BE A MINIMUM OF 2" CLEAR.
 3. CONTRACTOR SHALL ARRANGE THE CONDUIT AS PER TERRAIN, SOIL AND EXISTING CONDITIONS.
 4. SEAL ALL CONDUIT OPENINGS TO PREVENT MOISTURE FROM ENTERING.
 5. PROVIDE PREFABRICATED PLASTIC CONDUIT SPACERS EVERY 5FT TO SUPPORT AND MAINTAIN UNIFORM SPACING.
 6. CONCRETE FOR CONDUIT PROTECTION SHALL HAVE MINIMUM SLUMP OF 2" AND MAXIMUM OF 4"; CEMENT CONTENT OF 190 POUNDS PER CUBIC YARD (2 SACKS); AND WATER REDUCING ADMIXTURE ASTM C494 TYPE A.
 7. SIX INCHES OF WELL-DAMPENED CONDUIT BEDDING SHALL BE PLACED OVER THE CONCRETE IN A TRENCH 2 HOURS AFTER THE CONCRETE IS POURED. BACKFILLING OF THE TRENCH EXCAVATION MAY THEN BE COMPLETED.

TYPICAL CONDUIT DUCT BANK DETAIL

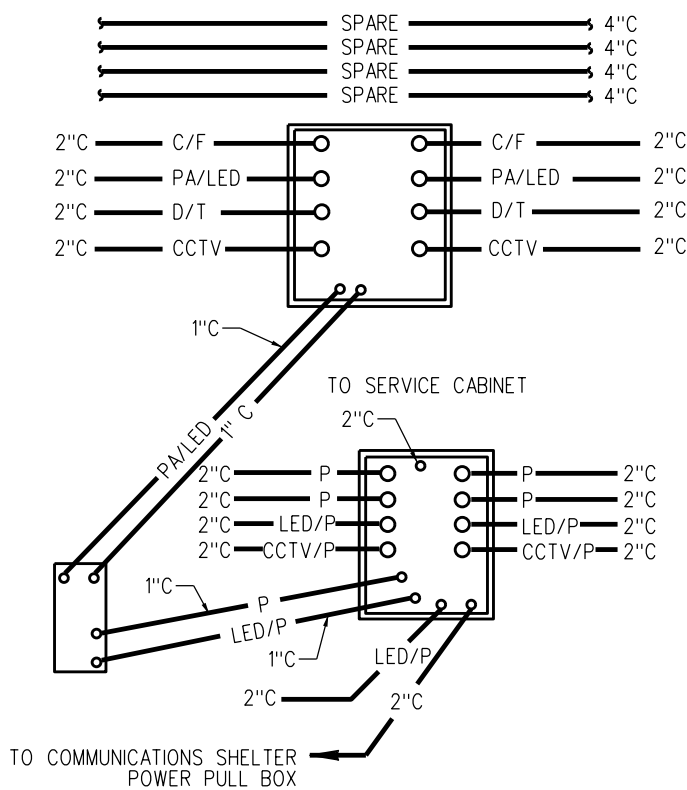


- NOTES:**
1. LOCATION OF CONDUITS ON THIS DRAWING SHOWN FOR REFERENCE ONLY. ACTUAL LOCATION OF CONDUITS WILL VARY DUE TO SITE SPECIFIC CONDITIONS AND TO BE DETERMINED AT THE TIME OF DESIGN.
 2. ORIGINATION OF POWER AND COMMUNICATION FEEDS TO TVD PAD VARIES BY LOCATION.
 3. FOR NOTES AND LEGEND SEE ES3400.

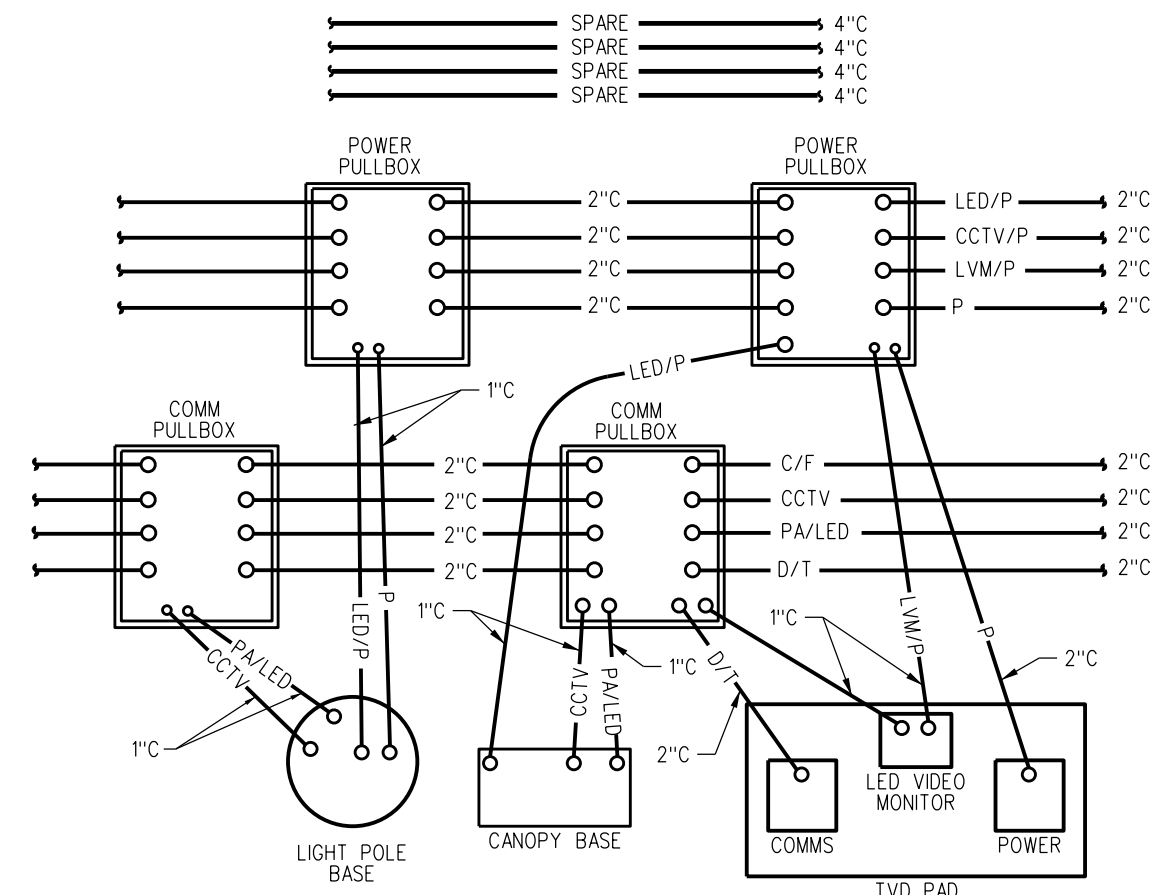
TYPICAL SECTION THRU SINGLE PLATFORM



CONDUIT LAYOUT AT LIGHT POLE AND CANOPY



CONDUIT LAYOUT AT EMERGENCY MANAGEMENT PANEL



CONDUIT LAYOUT AT TVD PAD

REV.	DATE	DESCRIPTION	DES.	ENG.
C	05-29-20	TVM REVISED TO TVD	AC	JMM
B	04-07-16	ADDED DUCT BANK DETAIL	AC	NDP
A	07-10-15	REVISED CONDUIT LAYOUT AT TVM PAD	AC	NDP

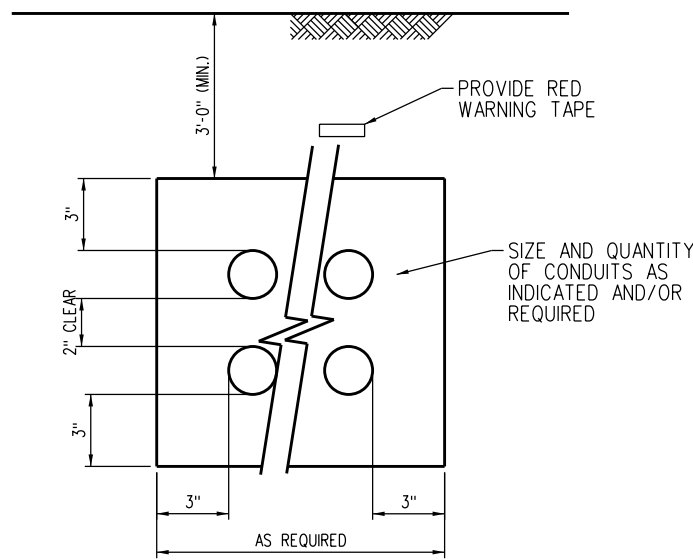
DRAWN BY:	A. CARLOS	DATE:	04/01/03
 PRINCIPAL ENGINEER, DESIGN & STANDARDS		 ASSISTANT DIRECTOR, DESIGN	

SCRR ENGINEERING STANDARDS ARE INTENDED FOR SCRR APPROVED USES ONLY. FOR NON-SCRR APPROVED USES, SCRR SHALL NOT BE RESPONSIBLE FOR THE ACCURACY OR COMPLETENESS OF THE DATA OR INFORMATION CONTAINED HEREIN. THE SELECTION AND USE OF THESE STANDARDS IS THE SOLE RESPONSIBILITY OF THE USER AND SHOULD NOT BE USED WITHOUT CONSULTING A REGISTERED PROFESSIONAL ENGINEER. ALL WARRANTIES AND REPRESENTATIONS OF ANY KIND ARE DISCLAIMED. ANYONE MAKING USE OF THIS INFORMATION AGREES THAT IT ASSUMES ALL LIABILITY ARISING FROM SUCH USE. NO PART OF THESE STANDARDS SHOULD BE REPRODUCED OR DISTRIBUTED IN ANY FORM OR BY ANY MEANS WITHOUT THE PRIOR WRITTEN PERMISSION OF SCRR. ALL RIGHTS RESERVED.

METROLINK
 SOUTHERN CALIFORNIA REGIONAL RAIL AUTHORITY
 900 WILSHIRE BLVD., SUITE 1500, L. A., CA. 90017

ENGINEERING STANDARDS
 METROLINK STATION
 CONDUIT LAYOUT DETAILS
 SIDE PLATFORM

STANDARD	3402
SCALE:	NTS
REVISION SHEET	C 1 OF 2
CADD FILE:	ES3402-01

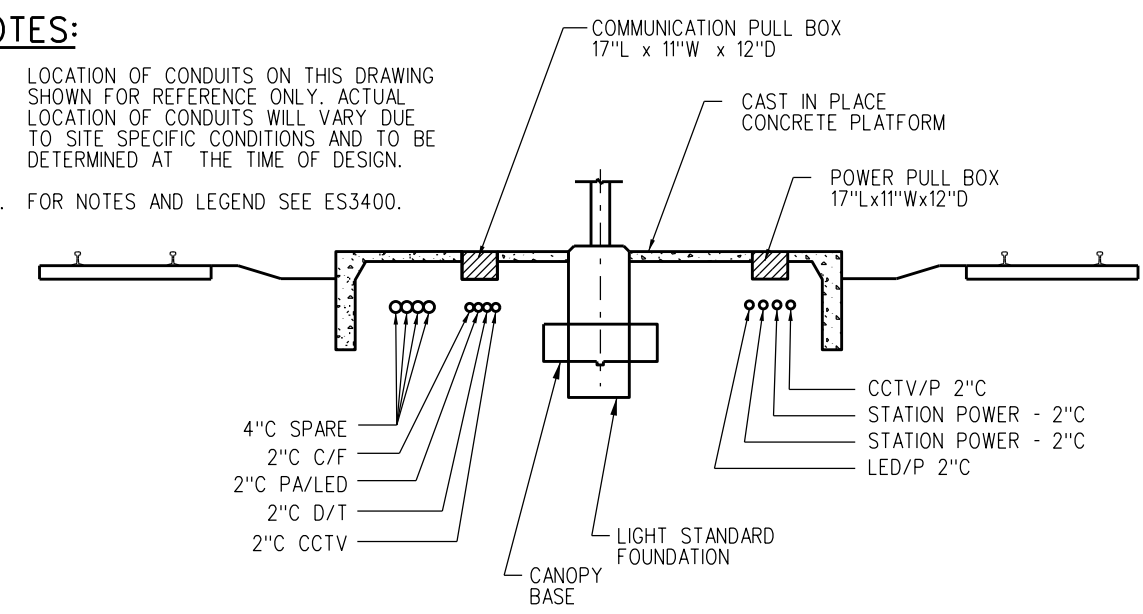


- NOTES:**
1. ALL CONDUITS SHALL BE RED CONCRETE ENCASED WITH MINIMUM 3" CONCRETE COVER.
 2. VERTICAL AND HORIZONTAL SEPARATION BETWEEN CONDUITS SHALL BE A MINIMUM OF 2" CLEAR.
 3. CONTRACTOR SHALL ARRANGE THE CONDUIT AS PER TERRAIN, SOIL AND EXISTING CONDITIONS.
 4. SEAL ALL CONDUIT OPENINGS TO PREVENT MOISTURE FROM ENTERING.
 5. PROVIDE PREFABRICATED PLASTIC CONDUIT SPACERS EVERY 5FT TO SUPPORT AND MAINTAIN UNIFORM SPACING.
 6. CONCRETE FOR CONDUIT PROTECTION SHALL HAVE MINIMUM SLUMP OF 2" AND MAXIMUM OF 4"; CEMENT CONTENT OF 190 POUNDS PER CUBIC YARD (2 SACKS); AND WATER REDUCING ADMIXTURE ASTM C494 TYPE A.
 7. SIX INCHES OF WELL-DAMPENED CONDUIT BEDDING SHALL BE PLACED OVER THE CONCRETE IN A TRENCH 2 HOURS AFTER THE CONCRETE IS POURED. BACKFILLING OF THE TRENCH EXCAVATION MAY THEN BE COMPLETED.

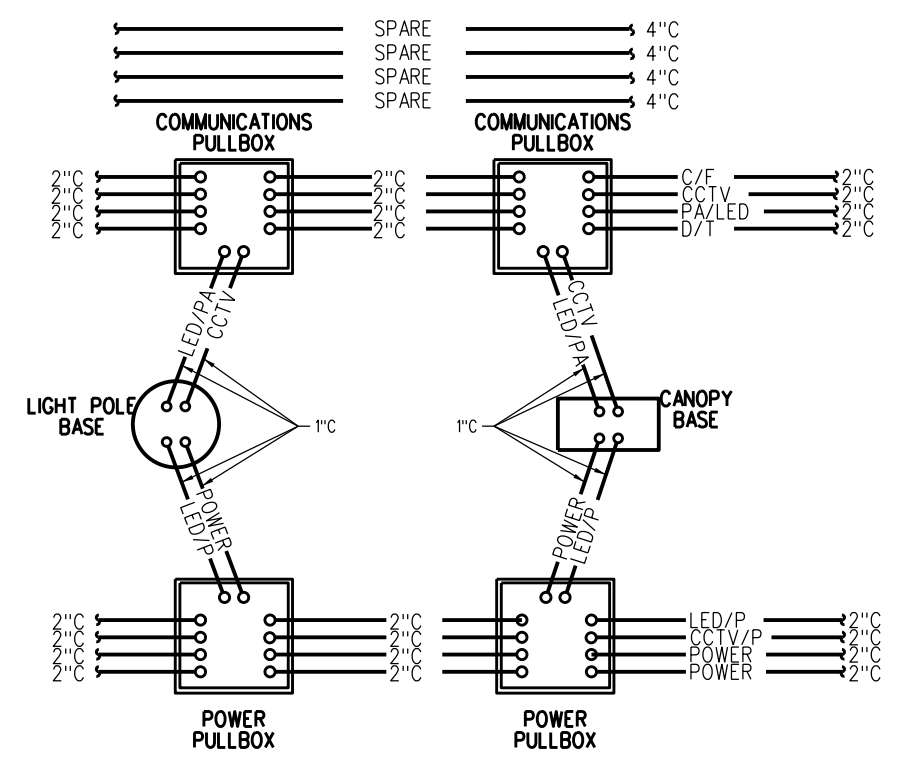
TYPICAL CONDUIT DUCT BANK DETAIL

NOTES:

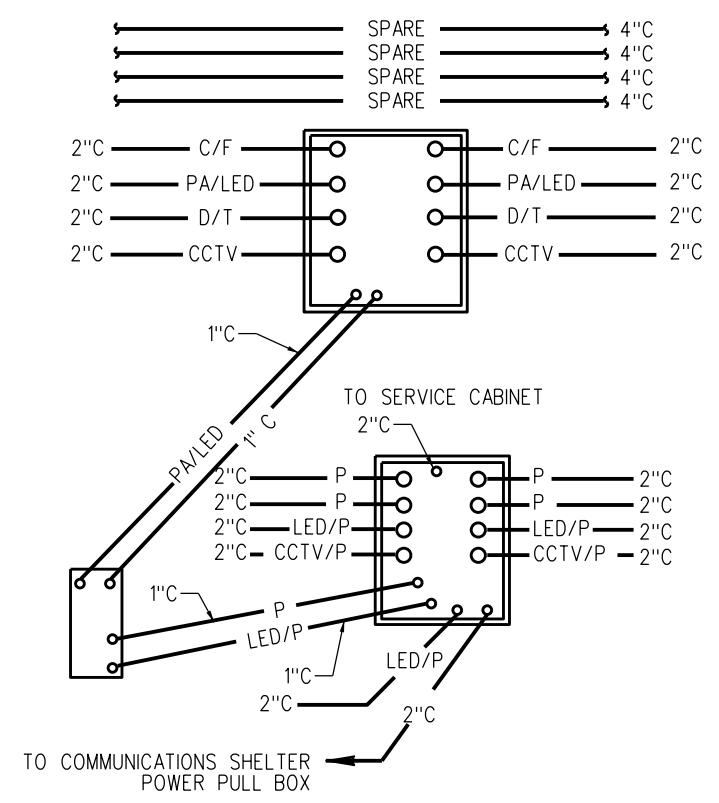
1. LOCATION OF CONDUITS ON THIS DRAWING SHOWN FOR REFERENCE ONLY. ACTUAL LOCATION OF CONDUITS WILL VARY DUE TO SITE SPECIFIC CONDITIONS AND TO BE DETERMINED AT THE TIME OF DESIGN.
2. FOR NOTES AND LEGEND SEE ES3400.



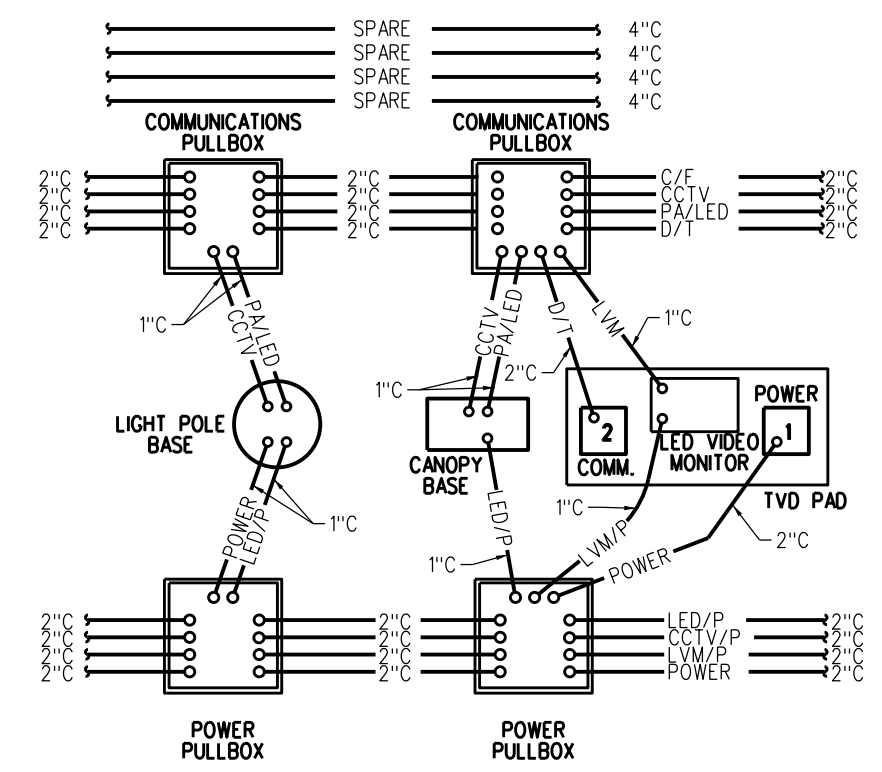
TYPICAL SECTION THRU CENTER PLATFORM



CONDUIT LAYOUT AT LIGHT POLE AND CANOPY



CONDUIT LAYOUT AT EMERGENCY MANAGEMENT PANEL



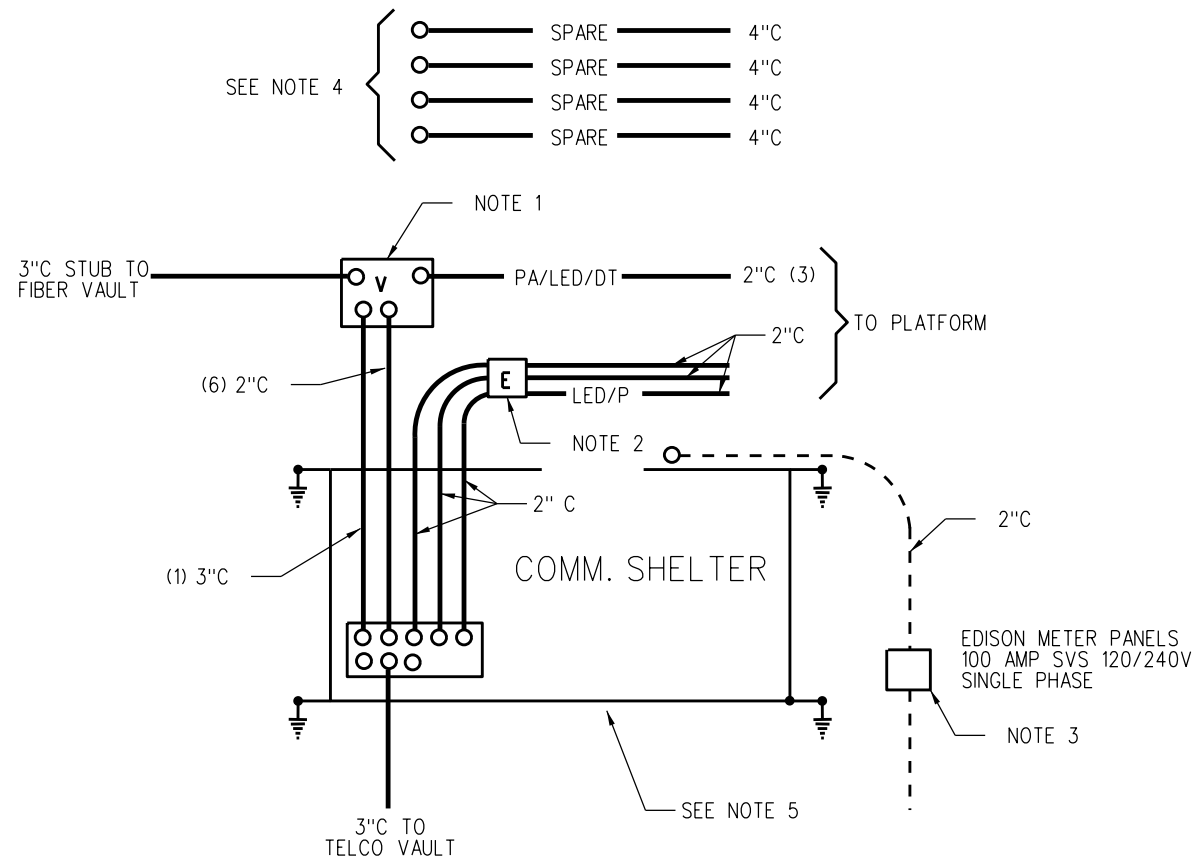
CONDUIT LAYOUT AT TVD PAD

REV.	DATE	DESCRIPTION	DES.	ENG.
C	05-29-20	TVM REVISED TO TVD	AC	JMM
B	04-7-16	ADDED DUCT BANK DETAIL	AC	NDP
A	07-10-15	REVISED CONDUIT LAYOUT AT TVM PAD	AC	NDP

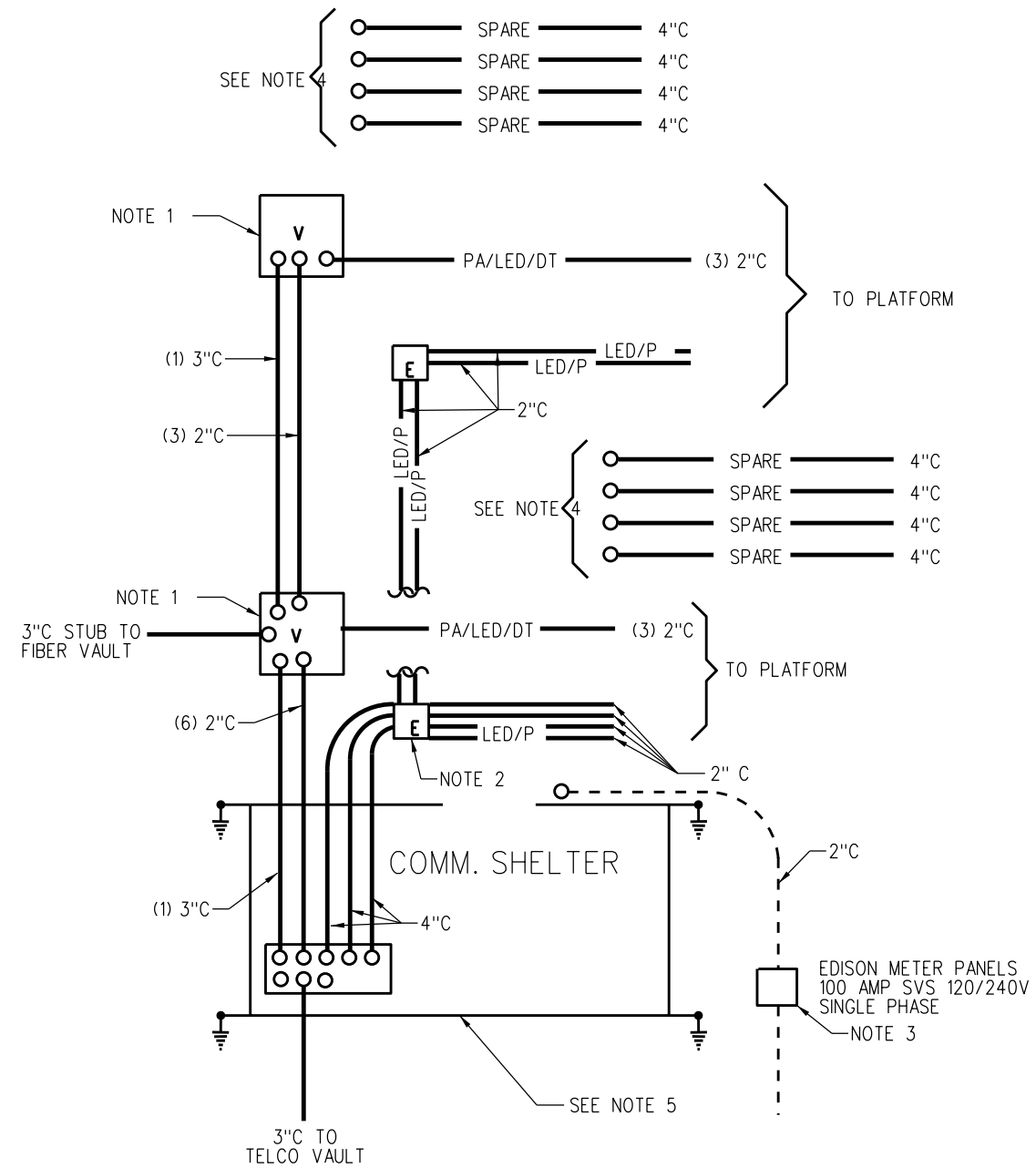
DRAWN BY: A. CARLOS DATE: 07/21/09
 PRINCIPAL ENGINEER, DESIGN & STANDARDS
 ASSISTANT DIRECTOR, DESIGN

METROLINK
 SOUTHERN CALIFORNIA REGIONAL RAIL AUTHORITY
 900 WILSHIRE BLVD., SUITE 1500, L. A., CA. 90017

ENGINEERING STANDARDS
 METROLINK STATION
 CONDUIT LAYOUT DETAILS
 CENTER PLATFORM
 STANDARD 3402
 SCALE: NTS
 REVISION SHEET C 2 OF 2
 CADD FILE: ES3402-02



CENTER PLATFORMS



SIDE PLATFORMS

NOTES:

1. 4'-0" x 4'-0" x 4'-0" DEEP VAULT WITH GALVANIZED COVER.
2. 11" x 17" PULL BOX.
3. SEPARATE METER SERVICE 100 AMP/ 120/ 240V SINGLE PHASE.
4. SPARE CONDUIT TO RUN LENGTH OF PLATFORM AND STUBBED OFF AT END.
5. FOR COMMUNICATIONS SHELTER SEE COMMUNICATIONS STANDARD DRAWINGS ES9400 THRU ES9440.
6. FOR ADDITIONAL NOTES AND LEGEND SEE ES3400.

REV.	DATE	DESCRIPTION	DES.	ENG.
A	09-07-12	REVISED DRAWING TITLE	AC	NDP

DRAWN BY: A. CARLOS DATE: 04/01/03

PRINCIPAL ENGINEER, DESIGN & STANDARDS

ASSISTANT DIRECTOR, DESIGN

SCRR ENGINEERING STANDARDS ARE INTENDED FOR SCRR APPROVED USES ONLY. FOR NON-SCRR APPROVED USES, SCRR SHALL NOT BE RESPONSIBLE FOR THE ACCURACY OR COMPLETENESS OF THE DATA OR INFORMATION CONTAINED HEREIN. THE SELECTION AND USE OF THESE STANDARDS IS THE SOLE RESPONSIBILITY OF THE USER AND SHOULD NOT BE USED WITHOUT CONSULTING A REGISTERED PROFESSIONAL ENGINEER. ALL WARRANTIES AND REPRESENTATIONS OF ANY KIND ARE DISCLAIMED. ANYONE MAKING USE OF THIS INFORMATION AGREES THAT IT ASSUMES ALL LIABILITY ARISING FROM SUCH USE. NO PART OF THESE STANDARDS SHOULD BE REPRODUCED OR DISTRIBUTED IN ANY FORM OR BY ANY MEANS WITHOUT THE PRIOR WRITTEN PERMISSION OF SCRR. ALL RIGHTS RESERVED.

METROLINK

SOUTHERN CALIFORNIA REGIONAL RAIL AUTHORITY
900 WILSHIRE BLVD., SUITE 1500, L. A., CA. 90017

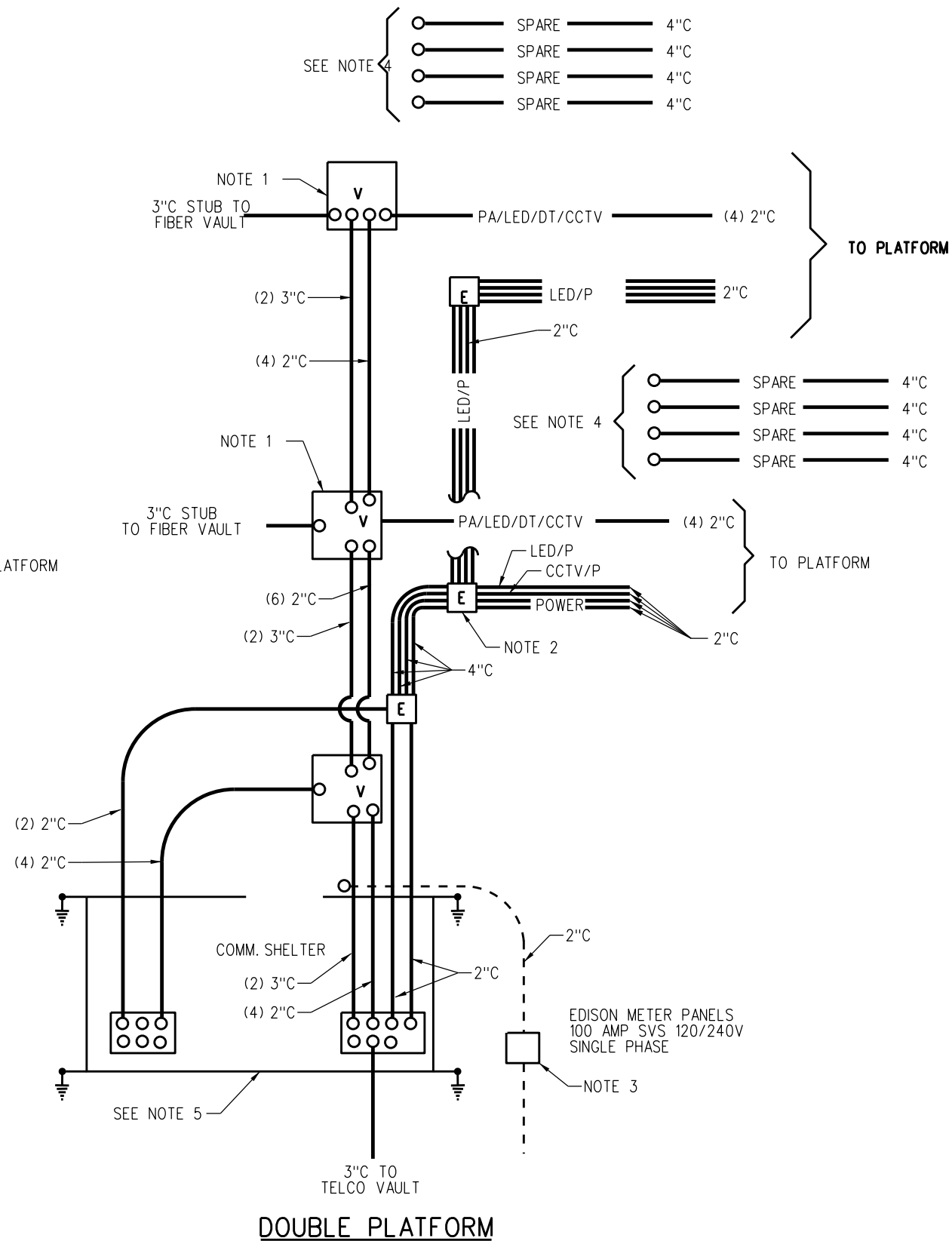
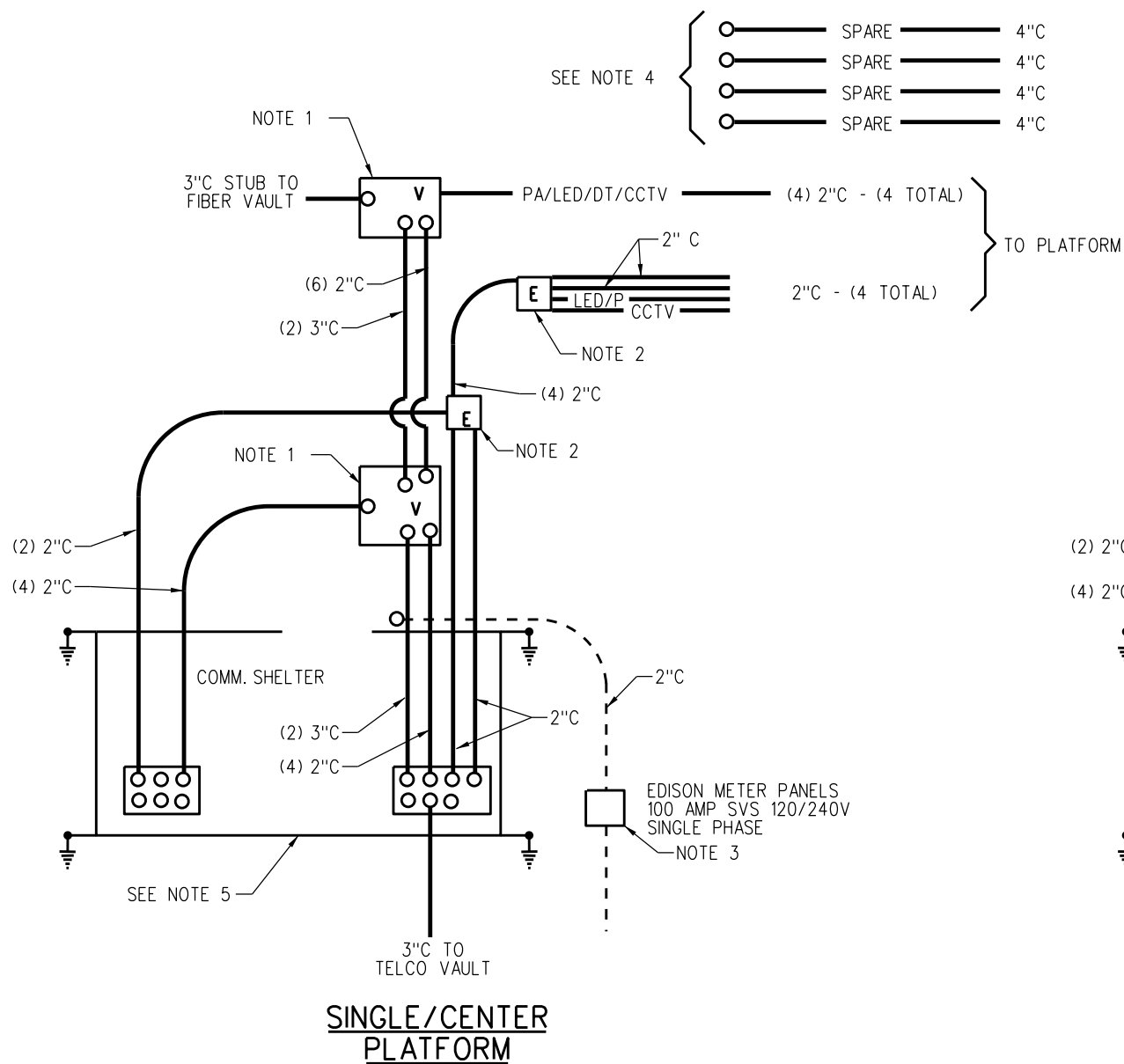
ENGINEERING STANDARDS

SINGLE TENNANT COMMUNICATIONS SHELTER CONDUIT LAYOUT

STANDARD	3403
SCALE:	NTS
REVISION SHEET	A 1 OF 1
CADD FILE:	ES3403

NOTES:

1. 4'-0" x 4'-0" x 4'-0" DEEP VAULT WITH GALVANIZED COVER.
2. 11" x 17" PULL BOX.
3. SEPARATE METER SERVICE 100 AMP/ 120/ 240V SINGLE PHASE.
4. SPARE CONDUIT TO RUN LENGTH OF PLATFORM AND STUBBED OFF AT END.
5. FOR COMMUNICATIONS SHELTER SEE COMMUNICATIONS STANDARD DRAWINGS ES9400 THRU ES9440.
6. EXISTING STATIONS ARE SINGLE TENANT, NEW STATIONS ARE SHARED TENANT
7. FOR ADDITIONAL NOTES AND LEGEND SEE ES3400.



REV.	DATE	DESCRIPTION	DES.	ENG.
A	09-07-12	REVISED DRAWING TITLE	AC	NDP

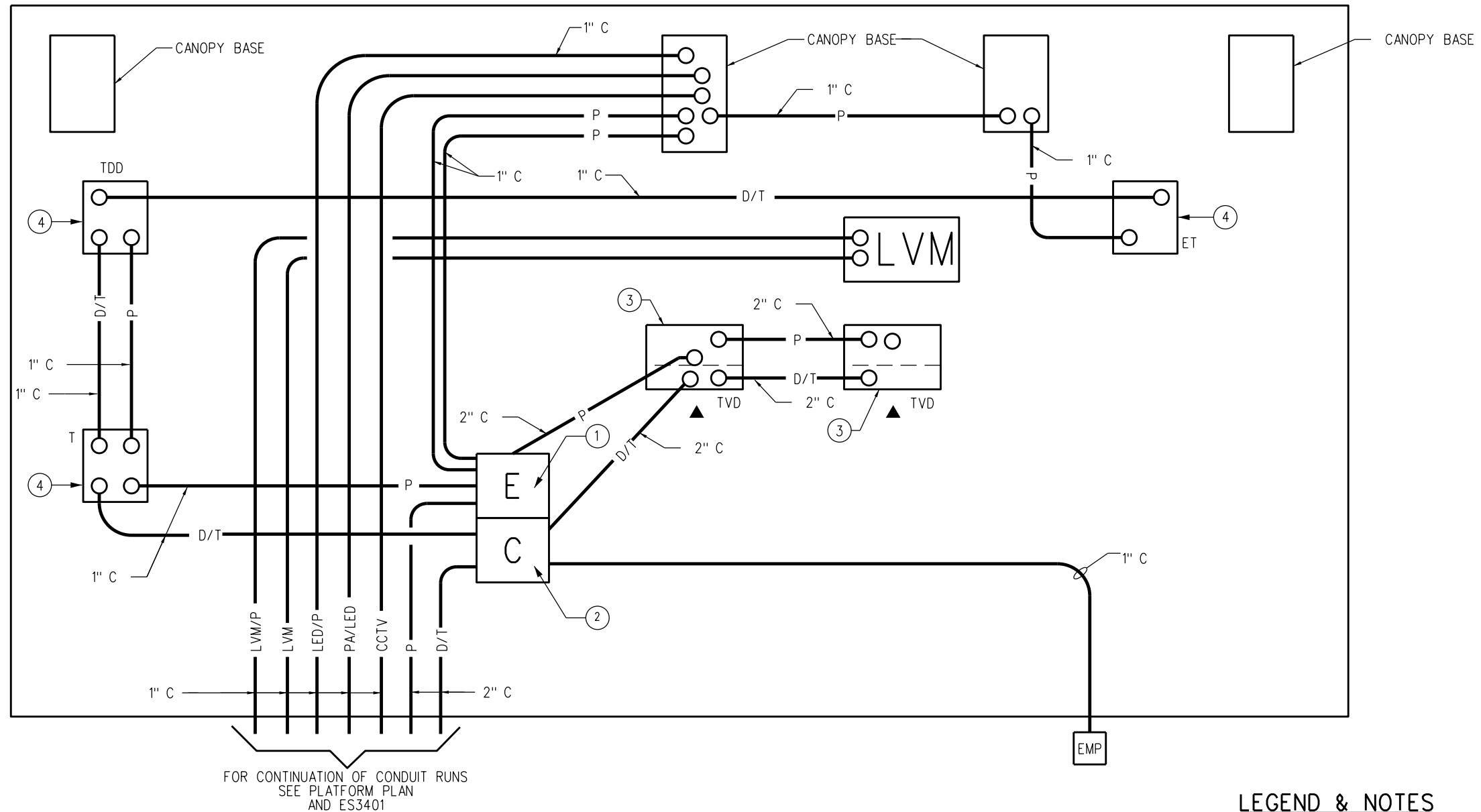
DRAWN BY: A. CARLOS DATE: 11/07/08
 PRINCIPAL ENGINEER, DESIGN & STANDARDS
 ASSISTANT DIRECTOR, DESIGN

SCRR ENGINEERING STANDARDS ARE INTENDED FOR SCRR APPROVED USES ONLY. FOR NON-SCRR APPROVED USES, SCRR SHALL NOT BE RESPONSIBLE FOR THE ACCURACY OR COMPLETENESS OF THE DATA OR INFORMATION CONTAINED HEREIN. THE SELECTION AND USE OF THESE STANDARDS IS THE SOLE RESPONSIBILITY OF THE USER AND SHOULD NOT BE USED WITHOUT CONSULTING A REGISTERED PROFESSIONAL ENGINEER. ALL WARRANTIES AND REPRESENTATIONS OF ANY KIND ARE DISCLAIMED. ANYONE MAKING USE OF THIS INFORMATION AGREES THAT IT ASSUMES ALL LIABILITY ARISING FROM SUCH USE. NO PART OF THESE STANDARDS SHOULD BE REPRODUCED OR DISTRIBUTED IN ANY FORM OR BY ANY MEANS WITHOUT THE PRIOR WRITTEN PERMISSION OF SCRR. ALL RIGHTS RESERVED.

METROLINK
 SOUTHERN CALIFORNIA REGIONAL RAIL AUTHORITY
 900 WILSHIRE BLVD., SUITE 1500, L. A., CA. 90017

ENGINEERING STANDARDS
 SHARED TENNANT COMMUNICATIONS SHELTER CONDUIT LAYOUT

STANDARD	3404
SCALE:	NTS
REVISION SHEET	A 1 OF 1
CADD FILE:	ES3404



FOR CONTINUATION OF CONDUIT RUNS
SEE PLATFORM PLAN
AND ES3401

LEGEND & NOTES

- ① PULL BOX - 17" L X 11" W X 12" D WITH ELECTRIC LOGO
- ② PULL BOX - 17" L X 11" W X 12" D WITH "COM" LOGO
- ③ CHECKERED COVER SIDEWALK JUNCTION BOX 12" X 8" X 6" WITH BARRIER AS INDICATED, CROUSE HINDS "WJBF120806" OR APPROVED EQUAL
- ④ CHECKERED COVER SIDEWALK JUNCTION BOX 6" X 4" X 4" DEEP WITH BARRIER AS INDICATED, CROUSE HINDS "WJBF060404" OR APPROVED EQUAL
- ▲ INDICATES FRONT FACE OF INSTALLED EQUIPMENT
FOR ADDITIONAL NOTES AND LEGEND SEE ES3400.

REV.	DATE	DESCRIPTION	DES.	ENG.
C	05-29-20	TVM REVISED TO TVD	AC	JMM
B	07-10-15	REMOVED JUNCTION BOX, NOTE 5	AC	NDP
A	09-21-12	REVISE TVM DIAGRAM, OMIT MTTV DIAGRAM & NOTES	AC	NDP

DRAWN BY: A. CARLOS DATE: 04/01/03

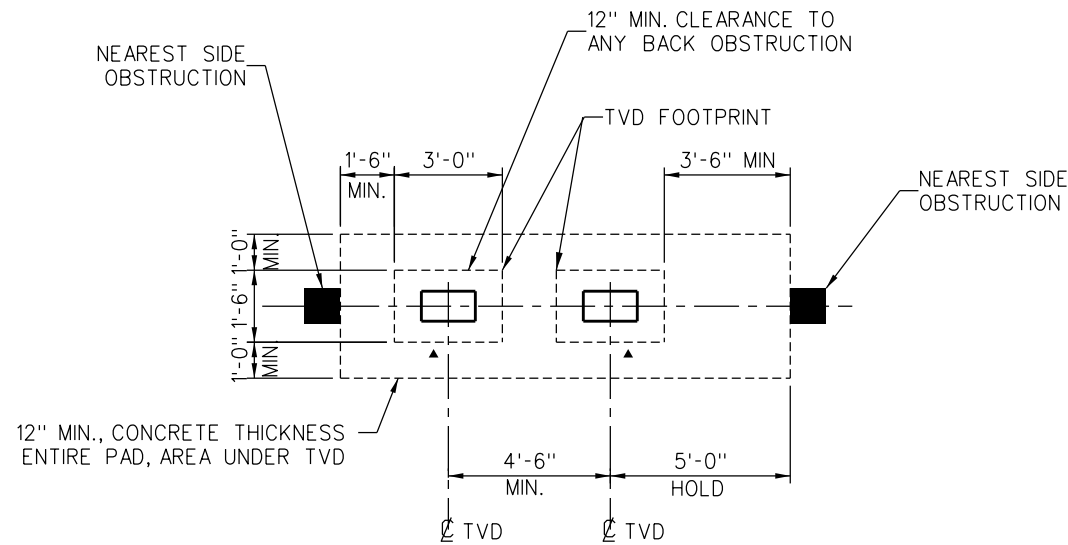
 PRINCIPAL ENGINEER, DESIGN & STANDARDS

 ASSISTANT DIRECTOR, DESIGN

SCRR ENGINEERING STANDARDS ARE INTENDED FOR SCRR APPROVED USES ONLY. FOR NON-SCRR APPROVED USES, SCRR SHALL NOT BE RESPONSIBLE FOR THE ACCURACY OR COMPLETENESS OF THE DATA OR INFORMATION CONTAINED HEREIN. THE SELECTION AND USE OF THESE STANDARDS IS THE SOLE RESPONSIBILITY OF THE USER AND SHOULD NOT BE USED WITHOUT CONSULTING A REGISTERED PROFESSIONAL ENGINEER. ALL WARRANTIES AND REPRESENTATIONS OF ANY KIND ARE DISCLAIMED. ANYONE MAKING USE OF THIS INFORMATION AGREES THAT IT ASSUMES ALL LIABILITY ARISING FROM SUCH USE. NO PART OF THESE STANDARDS SHOULD BE REPRODUCED OR DISTRIBUTED IN ANY FORM OR BY ANY MEANS WITHOUT THE PRIOR WRITTEN PERMISSION OF SCRR. ALL RIGHTS RESERVED.

METROLINK
 SOUTHERN CALIFORNIA REGIONAL RAIL AUTHORITY
 900 WILSHIRE BLVD., SUITE 1500, L. A., CA. 90017

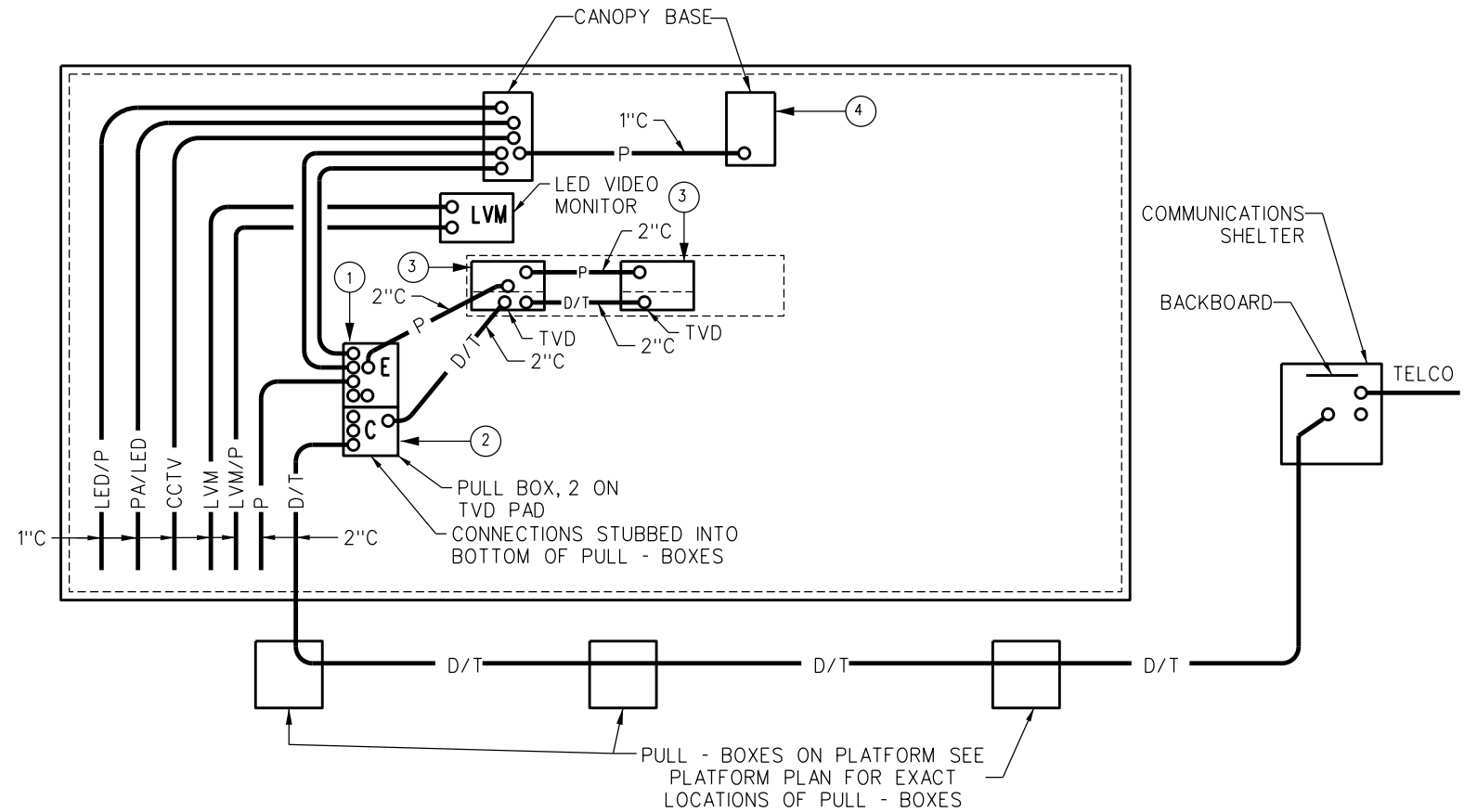
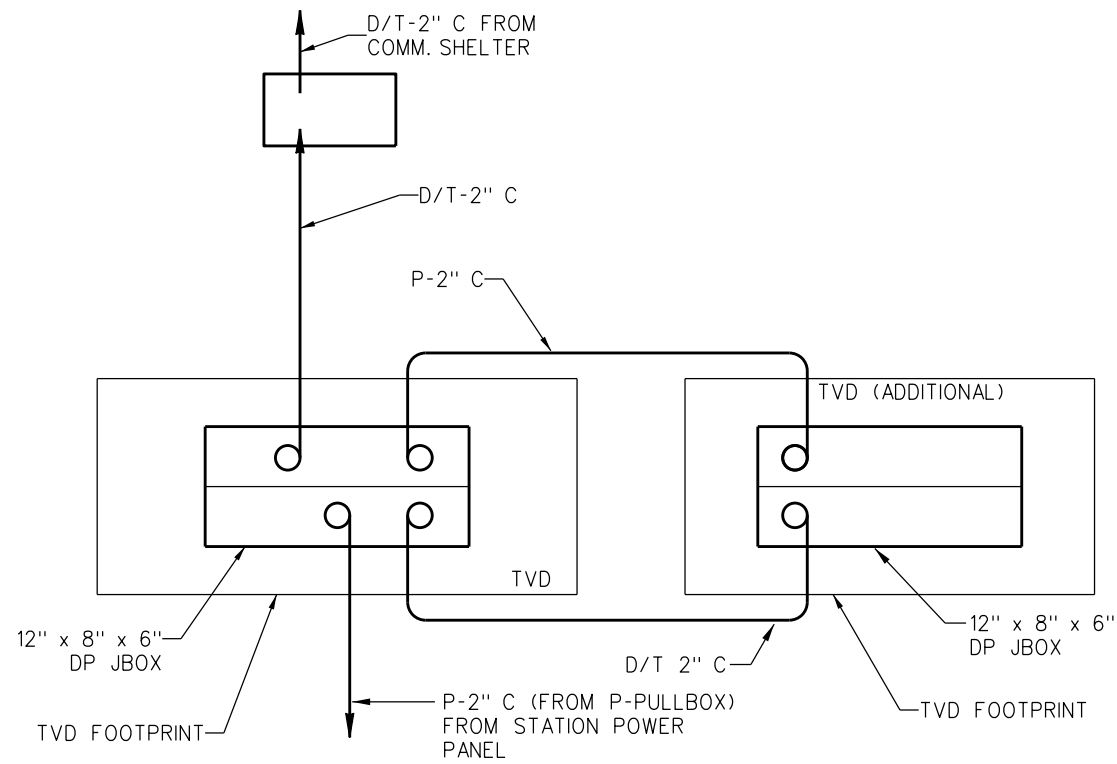
ENGINEERING STANDARDS		STANDARD
METROLINK STATION TVD PAD (COMPLETE CONFIGURATION)		3405
SCALE:		NTS
REVISION	SHEET	
C	1 OF 2	
CADD FILE:		ES3405-01



DETAIL A

NOTES & LEGEND:

- ① PULL BOX - 17"Lx11"Wx12"D WITH ELECTRIC LOGO
- ② PULL BOX - 17"Lx11"Wx12" D WITH "COM" LOGO
- ③ CHECKERED COVER SIDEWALK JUNCTION BOX 12"x8"x6"
- ④ CHECKERED COVERED SIDEWALK JUNCTION BOX 6"x4"x4" DEEP WITH BARRIER AS INDICATED, CROUSE HINDS "WJBF060404" OR APPROVED EQUAL.
- ⑤ FOR ADDITIONAL NOTES AND LEGEND SEE ES3400.
- ▲ INDICATES FRONT FACE OF EQUIPMENT (CROUSE HINDS WJBF040404 OR APPROVED EQUAL)



REV.	DATE	DESCRIPTION	DES.	ENG.
C	05-29-20	TVM REVISED TO TVD	AC	JMM
B	07-10-15	REVISE CONDUIT DIAGRAMS, DETAIL "A" AND NOTES	AC	NDP
A	09-07-12	REVISE CONDUIT DIAGRAMS & DETAIL "A"	AC	NDP

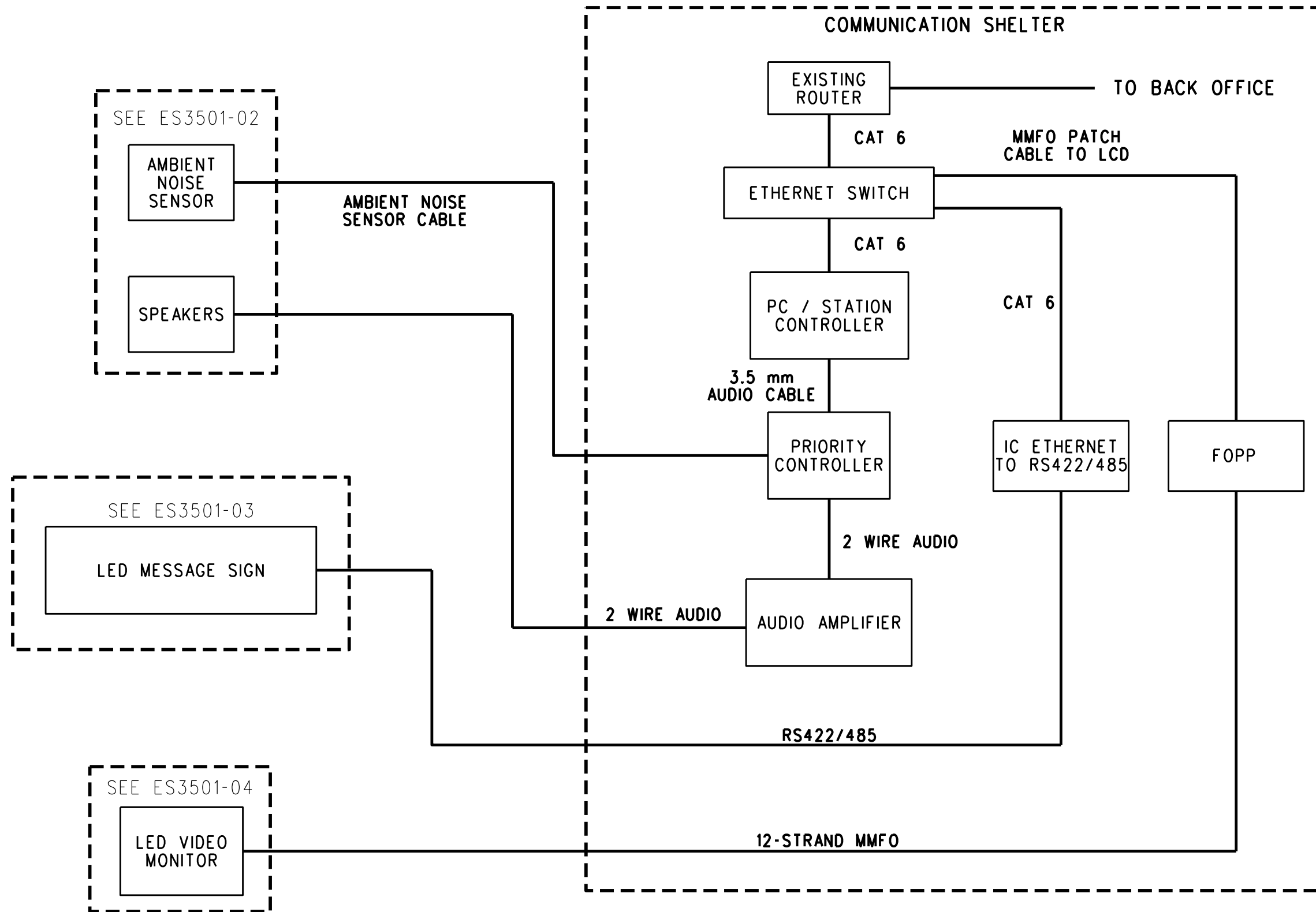
SCRR ENGINEERING STANDARDS ARE INTENDED FOR SCRR APPROVED USES ONLY. FOR NON-SCRR APPROVED USES SCRR SHALL NOT BE RESPONSIBLE FOR THE ACCURACY OR COMPLETENESS OF THE DATA OR INFORMATION CONTAINED HEREIN. THE SELECTION AND USE OF THESE STANDARDS IS THE SOLE RESPONSIBILITY OF THE USER AND SHOULD NOT BE USED WITHOUT CONSULTING A REGISTERED PROFESSIONAL ENGINEER. ALL WARRANTIES AND REPRESENTATIONS OF ANY KIND ARE DISCLAIMED. ANYONE MAKING USE OF THIS INFORMATION AGREES THAT IT ASSUMES ALL LIABILITY ARISING FROM SUCH USE. NO PART OF THESE STANDARDS SHOULD BE REPRODUCED OR DISTRIBUTED IN ANY FORM OR BY ANY MEANS WITHOUT THE PRIOR WRITTEN PERMISSION OF SCRR. ALL RIGHTS RESERVED.

METROLINK
 SOUTHERN CALIFORNIA REGIONAL RAIL AUTHORITY
 900 WILSHIRE BLVD., SUITE 1500, L. A., CA. 90017

ENGINEERING STANDARDS
 METROLINK STATION
 TVD PAD (MINIMUM CONFIGURATION)

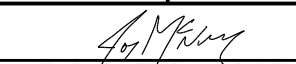
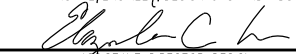
STANDARD	3405
SCALE	NTS
REVISION SHEET	C 2 OF 2
CADD FILE	ES3405-02

CIS FOR EXISTING STATIONS



REV.	DATE	DESCRIPTION	DES.	ENG.
X	00-00-00	REVISION	XX	XX

DRAWN BY: HDR/A. CARLOS DATE: 06/30/15


 PRINCIPAL ENGINEER, DESIGN & STANDARDS

 ASSISTANT DIRECTOR, DESIGN

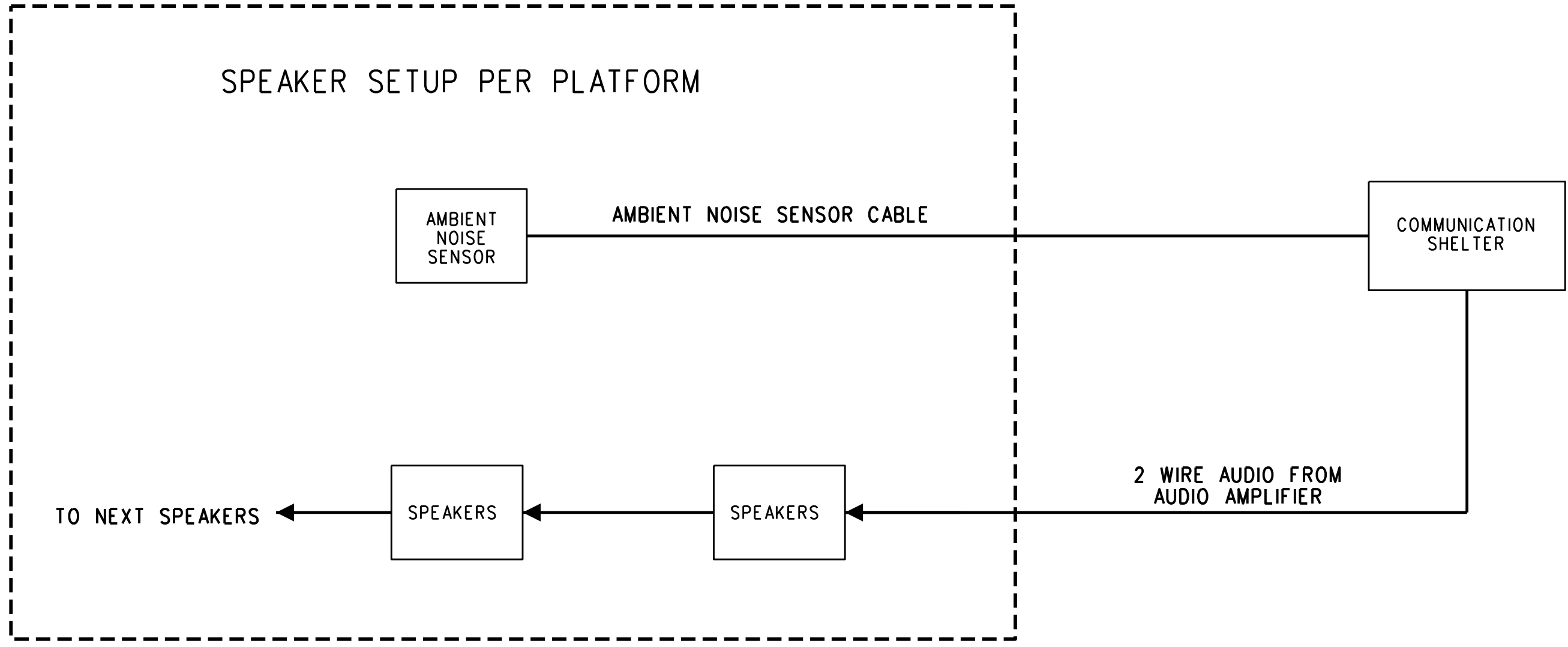
SCRR ENGINEERING STANDARDS ARE INTENDED FOR SCRR APPROVED USES ONLY. FOR NON-SCRR APPROVED USES, SCRR SHALL NOT BE RESPONSIBLE FOR THE ACCURACY OR COMPLETENESS OF THE DATA OR INFORMATION CONTAINED HEREIN. THE SELECTION AND USE OF THESE STANDARDS IS THE SOLE RESPONSIBILITY OF THE USER AND SHOULD NOT BE USED WITHOUT CONSULTING A REGISTERED PROFESSIONAL ENGINEER. ALL WARRANTIES AND REPRESENTATIONS OF ANY KIND ARE DISCLAIMED. ANYONE MAKING USE OF THIS INFORMATION AGREES THAT IT ASSUMES ALL LIABILITY ARISING FROM SUCH USE. NO PART OF THESE STANDARDS SHOULD BE REPRODUCED OR DISTRIBUTED IN ANY FORM OR BY ANY MEANS WITHOUT THE PRIOR WRITTEN PERMISSION OF SCRR. ALL RIGHTS RESERVED.

METROLINK
 SOUTHERN CALIFORNIA REGIONAL RAIL AUTHORITY
 900 WILSHIRE BLVD., SUITE 1500, L. A., CA. 90017

ENGINEERING STANDARDS
 CUSTOMER INFORMATION SYSTEM (CIS)
 FOR EXISTING STATIONS

STANDARD	3501
SCALE:	NTS
REVISION SHEET	1 OF 4
CADD FILE:	ES3501-01

SPEAKER DIAGRAM



REV.	DATE	DESCRIPTION	DES.	ENG.
X	00-00-00	REVISION	XX	XX

DRAWN BY: HDR/A. CARLOS DATE: 06/30/15

[Signature]
 PRINCIPAL ENGINEER, DESIGN & STANDARDS

[Signature]
 ASSISTANT DIRECTOR, DESIGN

SCRR ENGINEERING STANDARDS ARE INTENDED FOR SCRR APPROVED USES ONLY. FOR NON-SCRR APPROVED USES, SCRR SHALL NOT BE RESPONSIBLE FOR THE ACCURACY OR COMPLETENESS OF THE DATA OR INFORMATION CONTAINED HEREIN. THE SELECTION AND USE OF THESE STANDARDS IS THE SOLE RESPONSIBILITY OF THE USER AND SHOULD NOT BE USED WITHOUT CONSULTING A REGISTERED PROFESSIONAL ENGINEER. ALL WARRANTIES AND REPRESENTATIONS OF ANY KIND ARE DISCLAIMED. ANYONE MAKING USE OF THIS INFORMATION AGREES THAT IT ASSUMES ALL LIABILITY ARISING FROM SUCH USE. NO PART OF THESE STANDARDS SHOULD BE REPRODUCED OR DISTRIBUTED IN ANY FORM OR BY ANY MEANS WITHOUT THE PRIOR WRITTEN PERMISSION OF SCRR. ALL RIGHTS RESERVED.

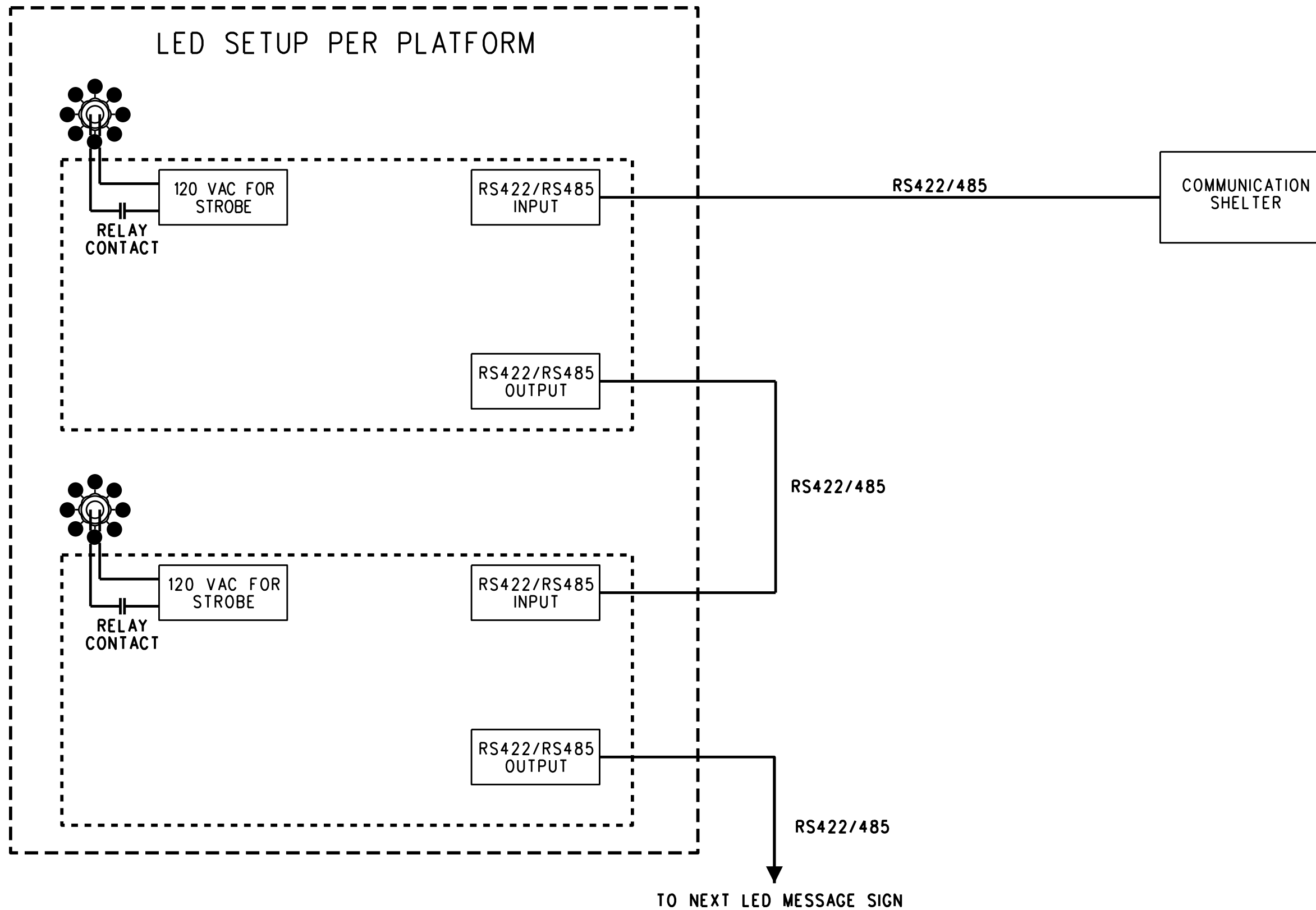
METROLINK
 SOUTHERN CALIFORNIA REGIONAL RAIL AUTHORITY
 900 WILSHIRE BLVD., SUITE 1500, L. A., CA. 90017

ENGINEERING STANDARDS

CUSTOMER INFORMATION SYSTEM (CIS)
 FOR EXISTING STATIONS
 SPEAKER DIAGRAM

STANDARD	3501
SCALE:	NTS
REVISION SHEET	- 2 OF 4
CADD FILE:	ES3501-02

LED MESSAGE SIGN DIAGRAM



REV.	DATE	DESCRIPTION	DES.	ENG.
X	00-00-00	REVISION	XX	XX

DRAWN BY: HDR/A. CARLOS DATE: 06/30/15
 PRINCIPAL ENGINEER, DESIGN & STANDARDS
 ASSISTANT DIRECTOR, DESIGN

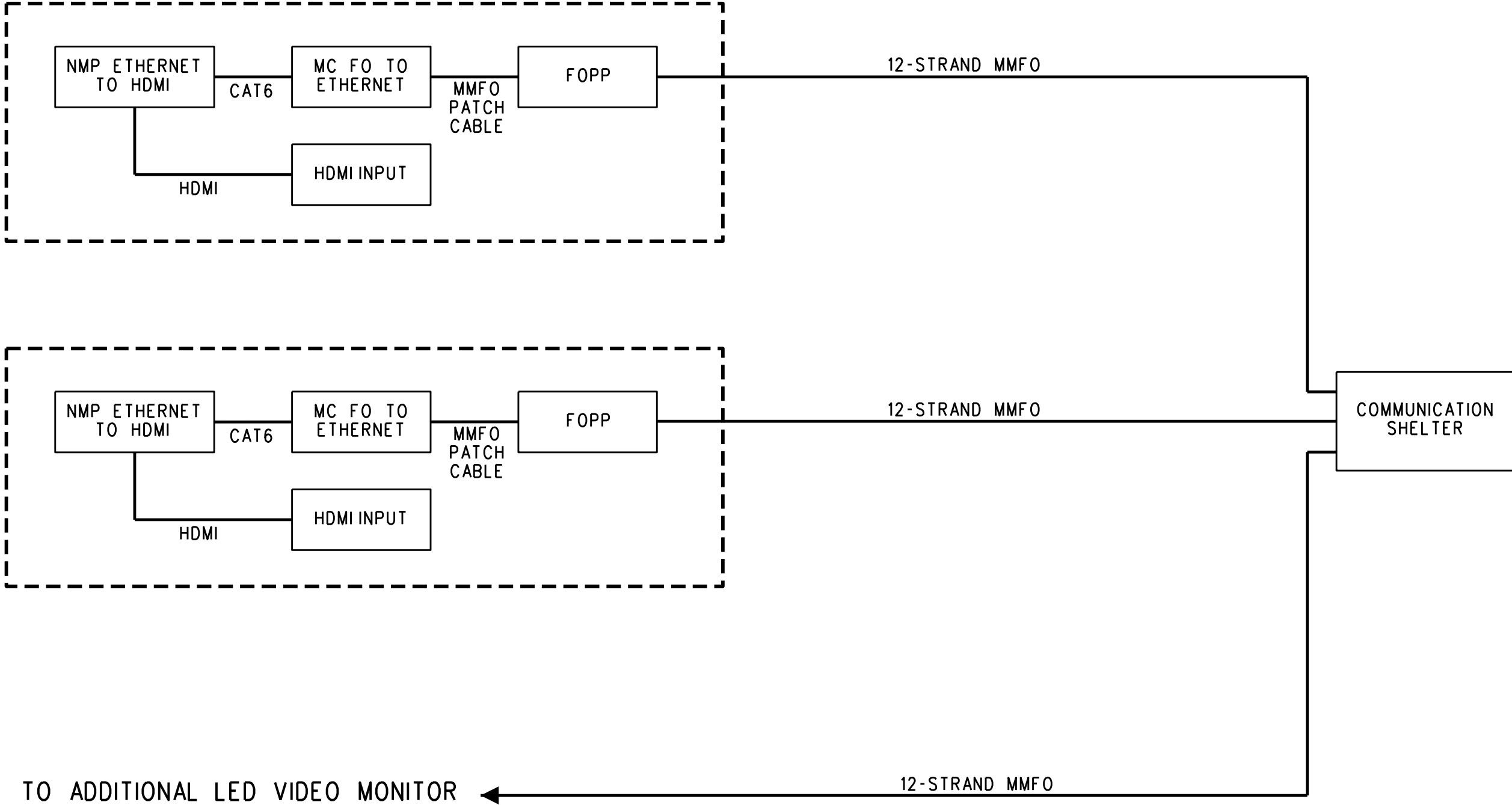
SCRR ENGINEERING STANDARDS ARE INTENDED FOR SCRR APPROVED USES ONLY. FOR NON-SCRR APPROVED USES, SCRR SHALL NOT BE RESPONSIBLE FOR THE ACCURACY OR COMPLETENESS OF THE DATA OR INFORMATION CONTAINED HEREIN. THE SELECTION AND USE OF THESE STANDARDS IS THE SOLE RESPONSIBILITY OF THE USER AND SHOULD NOT BE USED WITHOUT CONSULTING A REGISTERED PROFESSIONAL ENGINEER. ALL WARRANTIES AND REPRESENTATIONS OF ANY KIND ARE DISCLAIMED. ANYONE MAKING USE OF THIS INFORMATION AGREES THAT IT ASSUMES ALL LIABILITY ARISING FROM SUCH USE. NO PART OF THESE STANDARDS SHOULD BE REPRODUCED OR DISTRIBUTED IN ANY FORM OR BY ANY MEANS WITHOUT THE PRIOR WRITTEN PERMISSION OF SCRR. ALL RIGHTS RESERVED.

METROLINK
 SOUTHERN CALIFORNIA REGIONAL RAIL AUTHORITY
 900 WILSHIRE BLVD., SUITE 1500, L. A., CA. 90017

ENGINEERING STANDARDS
 CUSTOMER INFORMATION SYSTEM (CIS)
 FOR EXISTING STATIONS
 LED MESSAGE SIGN DIAGRAM

STANDARD	3501
SCALE:	NTS
REVISION SHEET	- 3 OF 4
CADD FILE:	ES3501-03

LED VIDEO MONITOR DIAGRAM



REV.	DATE	DESCRIPTION	DES.	ENG.
X	00-00-00	REVISION	XX	XX

DRAWN BY: HDR/A. CARLOS DATE: 06/30/15

[Signature]
 PRINCIPAL ENGINEER, DESIGN & STANDARDS

[Signature]
 ASSISTANT DIRECTOR, DESIGN

SCRR ENGINEERING STANDARDS ARE INTENDED FOR SCRR APPROVED USES ONLY. FOR NON-SCRR APPROVED USES, SCRR SHALL NOT BE RESPONSIBLE FOR THE ACCURACY OR COMPLETENESS OF THE DATA OR INFORMATION CONTAINED HEREIN. THE SELECTION AND USE OF THESE STANDARDS IS THE SOLE RESPONSIBILITY OF THE USER AND SHOULD NOT BE USED WITHOUT CONSULTING A REGISTERED PROFESSIONAL ENGINEER. ALL WARRANTIES AND REPRESENTATIONS OF ANY KIND ARE DISCLAIMED. ANYONE MAKING USE OF THIS INFORMATION AGREES THAT IT ASSUMES ALL LIABILITY ARISING FROM SUCH USE. NO PART OF THESE STANDARDS SHOULD BE REPRODUCED OR DISTRIBUTED IN ANY FORM OR BY ANY MEANS WITHOUT THE PRIOR WRITTEN PERMISSION OF SCRR. ALL RIGHTS RESERVED.

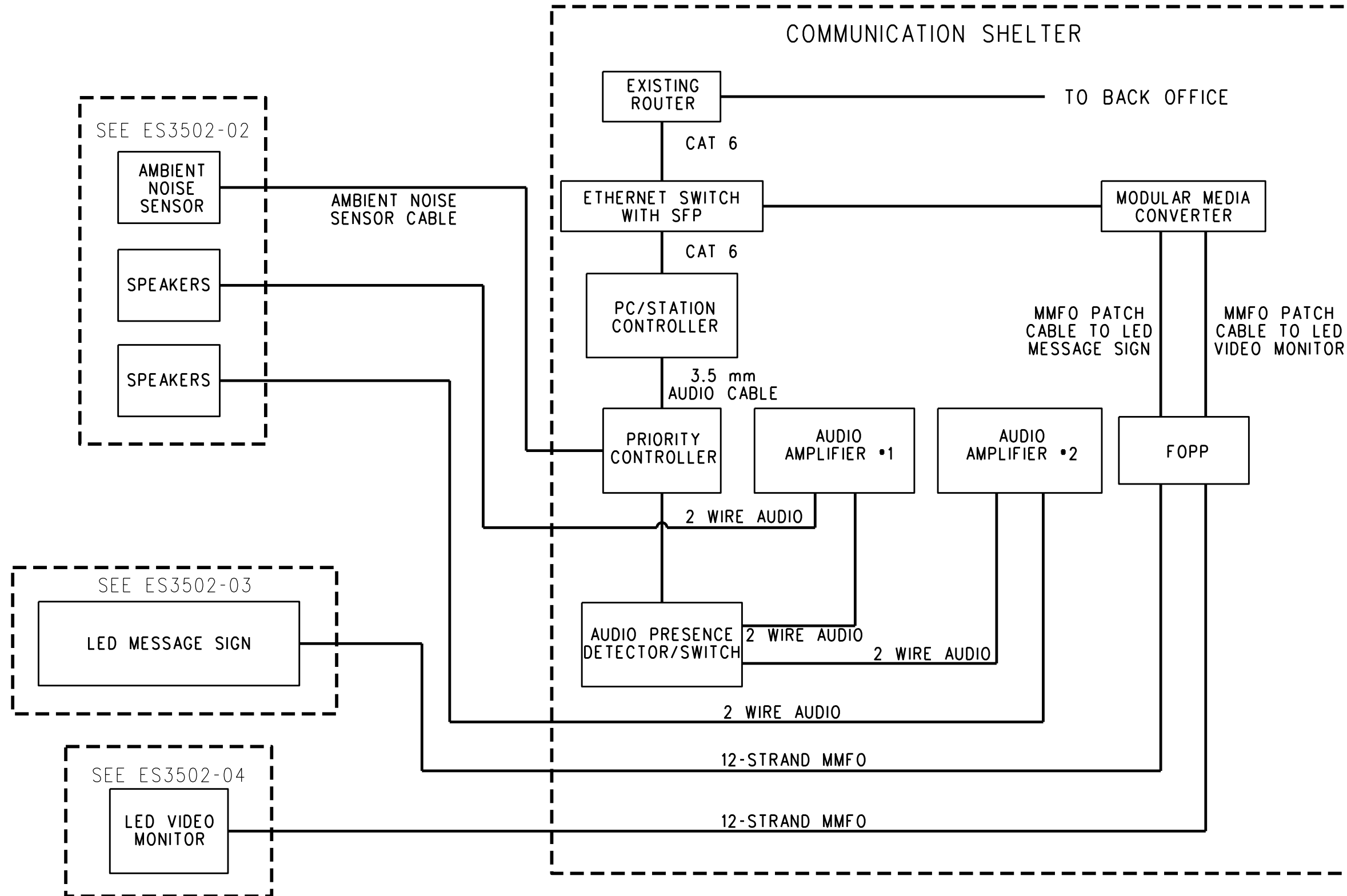
METROLINK
 SOUTHERN CALIFORNIA REGIONAL RAIL AUTHORITY
 900 WILSHIRE BLVD., SUITE 1500, L. A., CA. 90017

ENGINEERING STANDARDS

CUSTOMER INFORMATION SYSTEM (CIS)
 FOR EXISTING STATIONS
 LED VIDEO MONITOR DIAGRAM


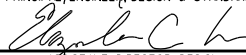
STANDARD	3501
SCALE:	NTS
REVISION SHEET	4 OF 4
CADD FILE:	ES3501-04

CIS FOR NEW STATIONS



REV.	DATE	DESCRIPTION	DES.	ENG.
X	00-00-00	REVISION	XX	XX

DRAWN BY: HDR/A. CARLOS DATE: 06/30/15


 PRINCIPAL ENGINEER, DESIGN & STANDARDS

 ASSISTANT DIRECTOR, DESIGN

SCRR ENGINEERING STANDARDS ARE INTENDED FOR SCRR APPROVED USES ONLY. FOR NON-SCRR APPROVED USES, SCRR SHALL NOT BE RESPONSIBLE FOR THE ACCURACY OR COMPLETENESS OF THE DATA OR INFORMATION CONTAINED HEREIN. THE SELECTION AND USE OF THESE STANDARDS IS THE SOLE RESPONSIBILITY OF THE USER AND SHOULD NOT BE USED WITHOUT CONSULTING A REGISTERED PROFESSIONAL ENGINEER. ALL WARRANTIES AND REPRESENTATIONS OF ANY KIND ARE DISCLAIMED. ANYONE MAKING USE OF THIS INFORMATION AGREES THAT IT ASSUMES ALL LIABILITY ARISING FROM SUCH USE. NO PART OF THESE STANDARDS SHOULD BE REPRODUCED OR DISTRIBUTED IN ANY FORM OR BY ANY MEANS WITHOUT THE PRIOR WRITTEN PERMISSION OF SCRR. ALL RIGHTS RESERVED.


METROLINK
 SOUTHERN CALIFORNIA REGIONAL RAIL AUTHORITY
 900 WILSHIRE BLVD., SUITE 1500, L. A., CA. 90017

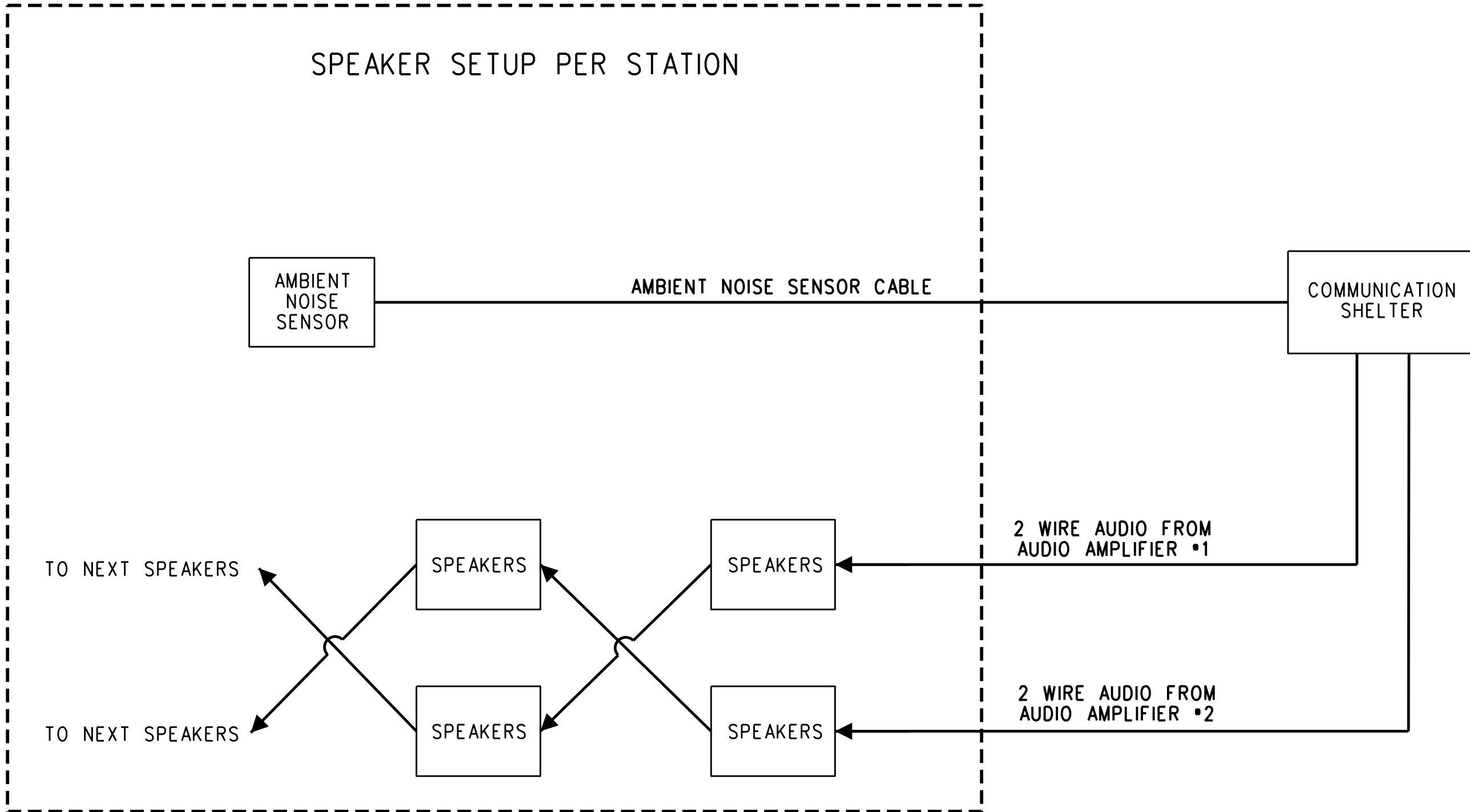
ENGINEERING STANDARDS

CUSTOMER INFORMATION SYSTEM (CIS)
FOR NEW STATIONS

STANDARD	3502
SCALE:	NTS
REVISION SHEET	1 OF 4
CADD FILE:	ES3502-01

SPEAKER DIAGRAM

SPEAKER SETUP PER STATION



REV.	DATE	DESCRIPTION	DES.	ENG.
X	00-00-00	REVISION	XX	XX

DRAWN BY: HDR/A. CARLOS DATE: 06/30/15
 PRINCIPAL ENGINEER, DESIGN & STANDARDS
 ASSISTANT DIRECTOR, DESIGN

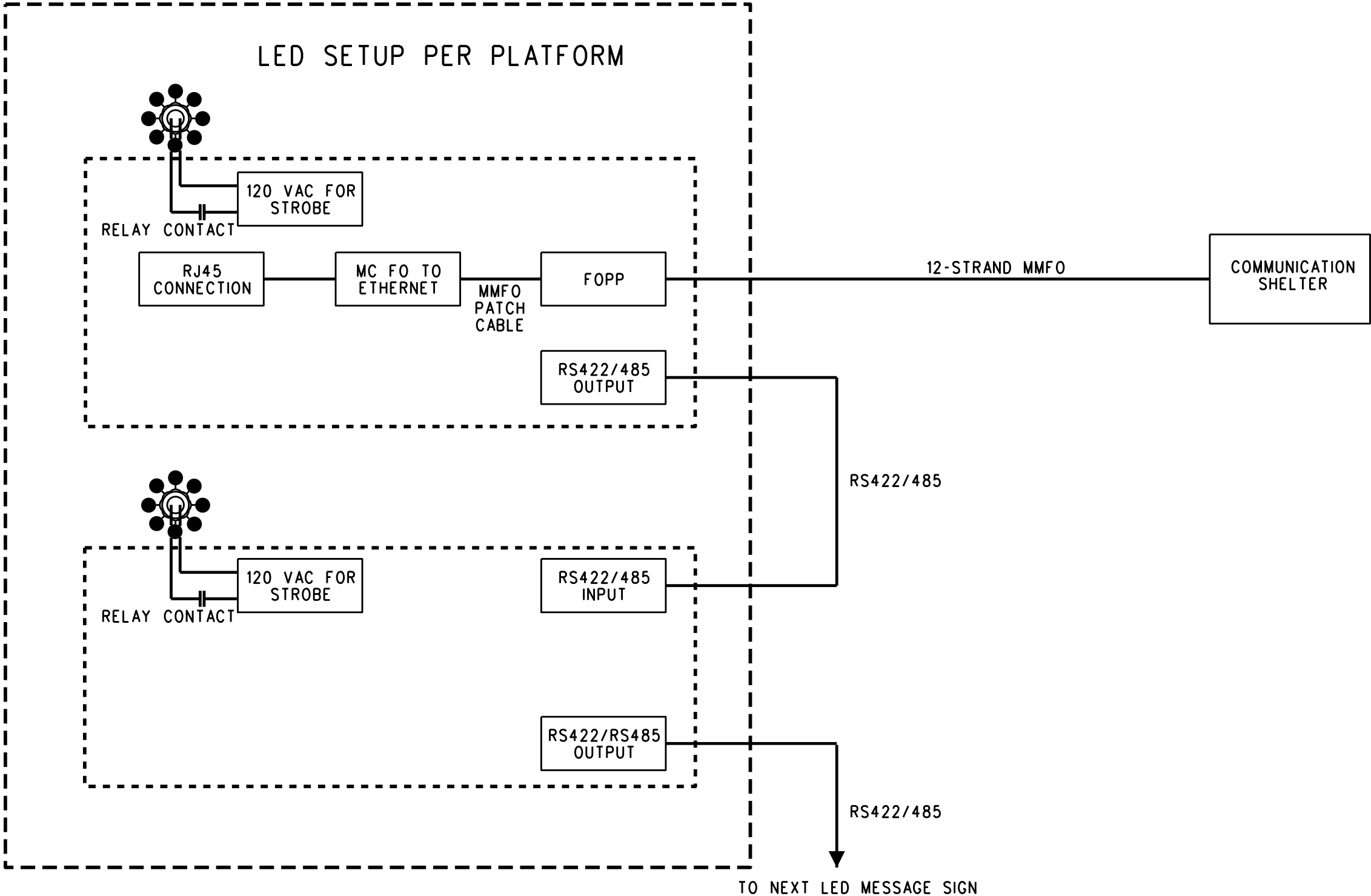
SCRR ENGINEERING STANDARDS ARE INTENDED FOR SCRR APPROVED USES ONLY. FOR NON-SCRR APPROVED USES, SCRR SHALL NOT BE RESPONSIBLE FOR THE ACCURACY OR COMPLETENESS OF THE DATA OR INFORMATION CONTAINED HEREIN. THE SELECTION AND USE OF THESE STANDARDS IS THE SOLE RESPONSIBILITY OF THE USER AND SHOULD NOT BE USED WITHOUT CONSULTING A REGISTERED PROFESSIONAL ENGINEER. ALL WARRANTIES AND REPRESENTATIONS OF ANY KIND ARE DISCLAIMED. ANYONE MAKING USE OF THIS INFORMATION AGREES THAT IT ASSUMES ALL LIABILITY ARISING FROM SUCH USE. NO PART OF THESE STANDARDS SHOULD BE REPRODUCED OR DISTRIBUTED IN ANY FORM OR BY ANY MEANS WITHOUT THE PRIOR WRITTEN PERMISSION OF SCRR. ALL RIGHTS RESERVED.

METROLINK
 SOUTHERN CALIFORNIA REGIONAL RAIL AUTHORITY
 900 WILSHIRE BLVD., SUITE 1500, L. A., CA. 90017

ENGINEERING STANDARDS
 CUSTOMER INFORMATION SYSTEM (CIS)
 FOR NEW STATIONS
 SPEAKER DIAGRAM



STANDARD	3502
SCALE:	NTS
REVISION SHEET	2 OF 4
CADD FILE:	ES3502-02

LED MESSAGE SIGN DIAGRAM



REV.	DATE	DESCRIPTION	DES.	ENG.
X	00-00-00	REVISION	XX	XX

DRAWN BY: HDR/A. CARLOS DATE: 06/30/15


 PRINCIPAL ENGINEER, DESIGN & STANDARDS

 ASSISTANT DIRECTOR, DESIGN

SCRR ENGINEERING STANDARDS ARE INTENDED FOR SCRR APPROVED USES ONLY. FOR NON-SCRR APPROVED USES, SCRR SHALL NOT BE RESPONSIBLE FOR THE ACCURACY OR COMPLETENESS OF THE DATA OR INFORMATION CONTAINED HEREIN. THE SELECTION AND USE OF THESE STANDARDS IS THE SOLE RESPONSIBILITY OF THE USER AND SHOULD NOT BE USED WITHOUT CONSULTING A REGISTERED PROFESSIONAL ENGINEER. ALL WARRANTIES AND REPRESENTATIONS OF ANY KIND ARE DISCLAIMED. ANYONE MAKING USE OF THIS INFORMATION AGREES THAT IT ASSUMES ALL LIABILITY ARISING FROM SUCH USE. NO PART OF THESE STANDARDS SHOULD BE REPRODUCED OR DISTRIBUTED IN ANY FORM OR BY ANY MEANS WITHOUT THE PRIOR WRITTEN PERMISSION OF SCRR. ALL RIGHTS RESERVED.

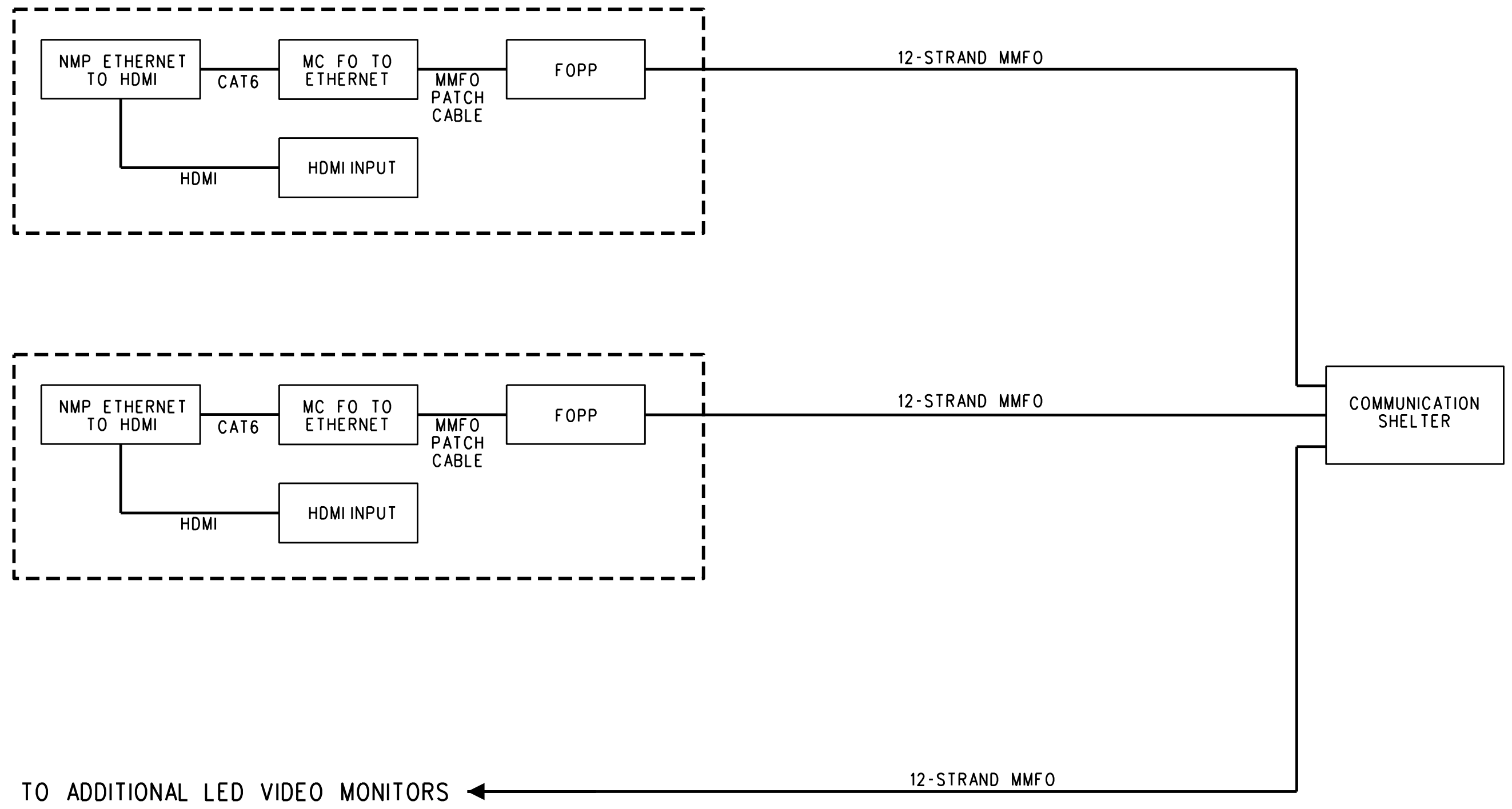


METROLINK
 SOUTHERN CALIFORNIA REGIONAL RAIL AUTHORITY
 900 WILSHIRE BLVD., SUITE 1500, L. A., CA. 90017

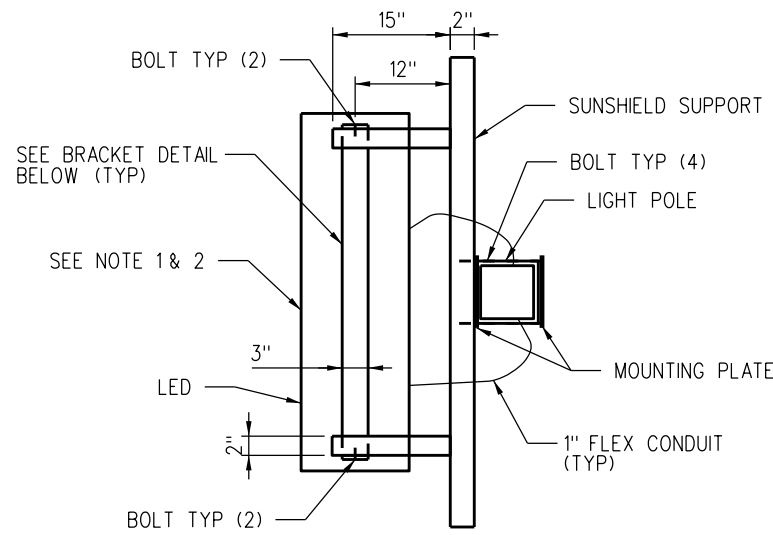
ENGINEERING STANDARDS
 CUSTOMER INFORMATION SYSTEM (CIS)
 FOR NEW STATIONS
 LED MESSAGE SIGN DIAGRAM

STANDARD	3502
SCALE:	NTS
REVISION SHEET	- 3 OF 4
CADD FILE:	ES3502-03

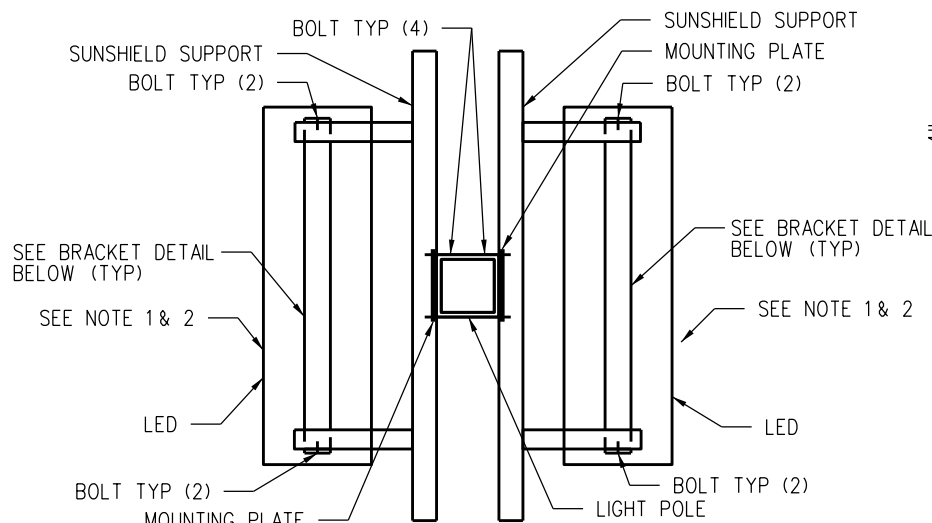
LED VIDEO MONITOR DIAGRAM



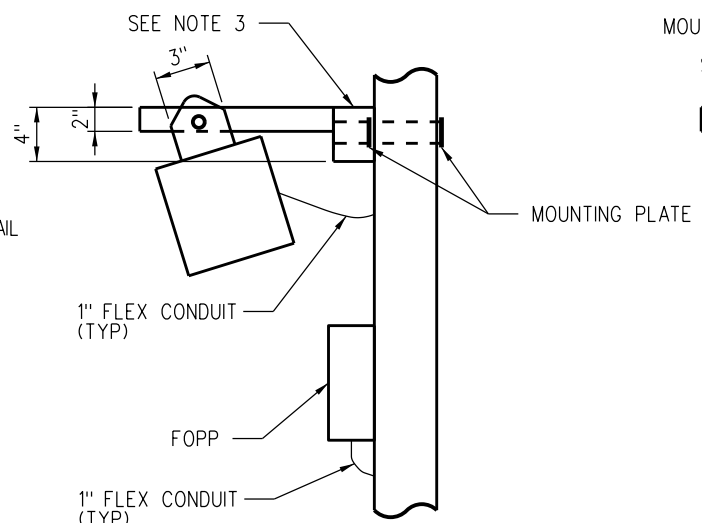
DRAWN BY: HDR/A. CARLOS		DATE: 06/30/15		<small>SCRR ENGINEERING STANDARDS ARE INTENDED FOR SCRR APPROVED USES ONLY. FOR NON-SCRR APPROVED USES, SCRR SHALL NOT BE RESPONSIBLE FOR THE ACCURACY OR COMPLETENESS OF THE DATA OR INFORMATION CONTAINED HEREIN. THE SELECTION AND USE OF THESE STANDARDS IS THE SOLE RESPONSIBILITY OF THE USER AND SHOULD NOT BE USED WITHOUT CONSULTING A REGISTERED PROFESSIONAL ENGINEER. ALL WARRANTIES AND REPRESENTATIONS OF ANY KIND ARE DISCLAIMED. ANYONE MAKING USE OF THIS INFORMATION AGREES THAT IT ASSUMES ALL LIABILITY ARISING FROM SUCH USE. NO PART OF THESE STANDARDS SHOULD BE REPRODUCED OR DISTRIBUTED IN ANY FORM OR BY ANY MEANS WITHOUT THE PRIOR WRITTEN PERMISSION OF SCRR. ALL RIGHTS RESERVED.</small>				ENGINEERING STANDARDS		STANDARD
 PRINCIPAL ENGINEER, DESIGN & STANDARDS		 ASSISTANT DIRECTOR, DESIGN		SOUTHERN CALIFORNIA REGIONAL RAIL AUTHORITY 900 WILSHIRE BLVD., SUITE 1500, L. A., CA. 90017		CUSTOMER INFORMATION SYSTEM (CIS) FOR NEW STATIONS LED VIDEO MONITOR DIAGRAM		3502		
REV.	DATE	DESCRIPTION	DES.	ENG.			SCALE: NTS		REVISION SHEET - 4 OF 4	
X	00-00-00	REVISION	XX	XX			CADD FILE: ES3502-04			



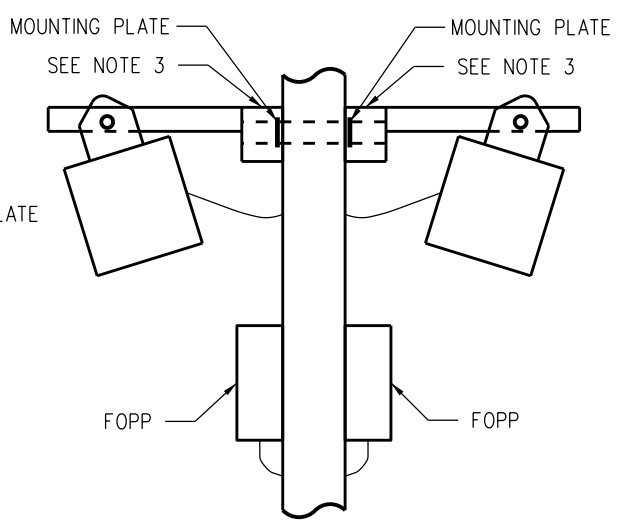
LED MOUNTING DETAIL TOP VIEW (SINGLE SIDED)



LED MOUNTING DETAIL TOP VIEW (DUAL SIDED)



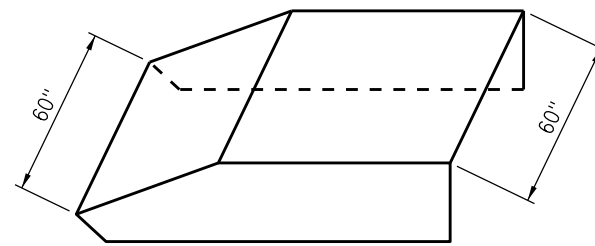
LED MOUNTING DETAIL ELEVATION (SINGLE SIDED)



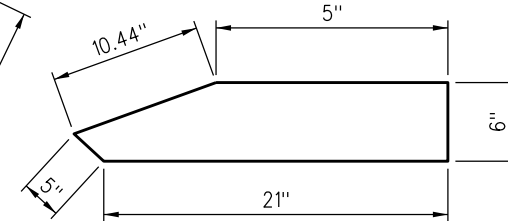
LED MOUNTING DETAIL ELEVATION (DUAL SIDED)

NOTES

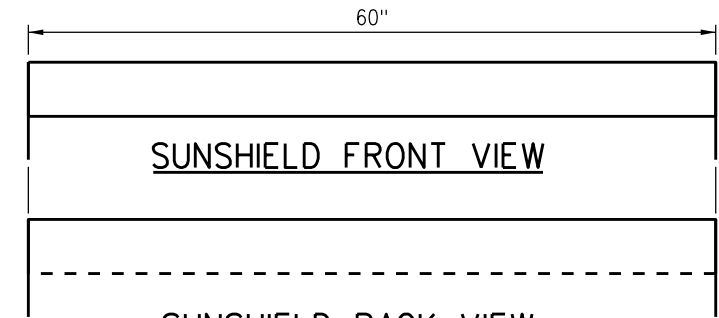
- SUNSHIELD AND STROBE LIGHT ARE NOT SHOWN.
- SUNSHIELD SUPPORT TO BE WELDED TO SUNSHIELD.
- SUNSHIELD SUPPORT NOT SHOWN FOR CLARITY.
- DIMENSIONS FOR ALL DETAILS SHALL NOT BE EXCEEDED. DIMENSIONS ARE BASED ON SIGN MAXIMUM DIMENSIONS OF 55"W x 17"H x 11"D.
- CONDUIT ENTRY WILL BE SHOWN WHEN COMPONENT PART NUMBERS ARE FINALIZED.



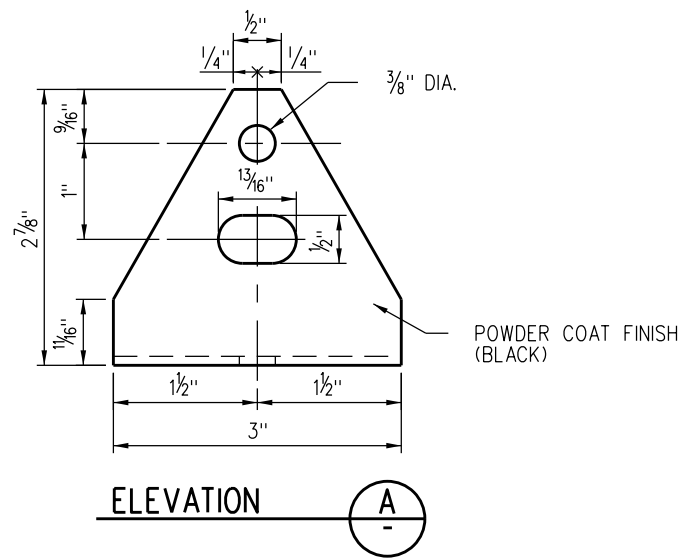
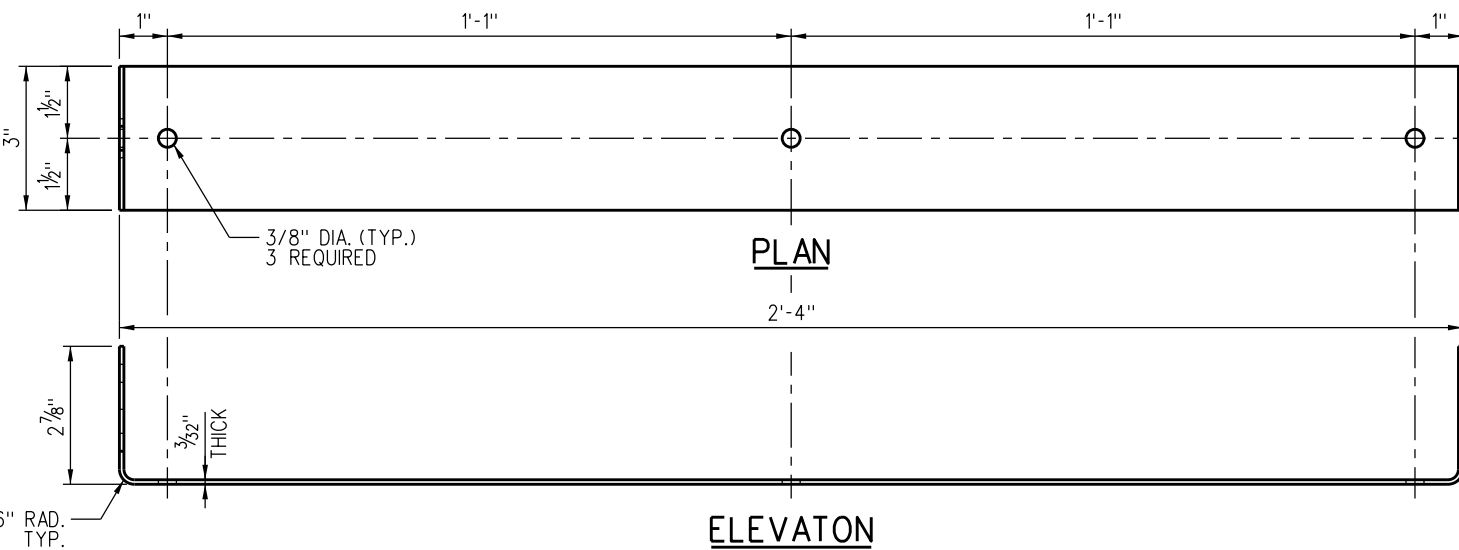
SUNSHIELD 3D VIEW



SUNSHIELD SIDE VIEW



SUNSHIELD BACK VIEW



NOTES:

- BRACKET TO BE MADE FROM 3/32" THICK SHEET METAL.
- GRIND ALL SHARP EDGES SMOOTH
- POWDER COAT FINISH TO BE GLOSS BLACK
- ACTUAL BRACKET DIMENSION TBD PENDING APPROVED LED MODEL

REV.	DATE	DESCRIPTION	DES.	ENG.
B	08-18-22	BRACKET DETAIL CALLOUT	AC	TQ
A	09-28-15	REVISE DRAWING NUMBER	AC	NDP

DRAWN BY: SYSTRA/A. CARLOS DATE: 08/12/09
 SCRRRA ENGINEERING STANDARDS ARE INTENDED FOR SCRRRA APPROVED USES ONLY. FOR NON-SCRRRA APPROVED USES, SCRRRA SHALL NOT BE RESPONSIBLE FOR THE ACCURACY OR COMPLETENESS OF THE DATA OR INFORMATION CONTAINED HEREIN. THE SELECTION AND USE OF THESE STANDARDS IS THE SOLE RESPONSIBILITY OF THE USER AND SHOULD NOT BE USED WITHOUT CONSULTING A REGISTERED PROFESSIONAL ENGINEER. ALL WARRANTIES AND REPRESENTATIONS OF ANY KIND ARE DISCLAIMED. ANYONE MAKING USE OF THIS INFORMATION AGREES THAT IT ASSUMES ALL LIABILITY ARISING FROM SUCH USE. NO PART OF THESE STANDARDS SHOULD BE REPRODUCED OR DISTRIBUTED IN ANY FORM OR BY ANY MEANS WITHOUT THE PRIOR WRITTEN PERMISSION OF SCRRRA. ALL RIGHTS RESERVED.

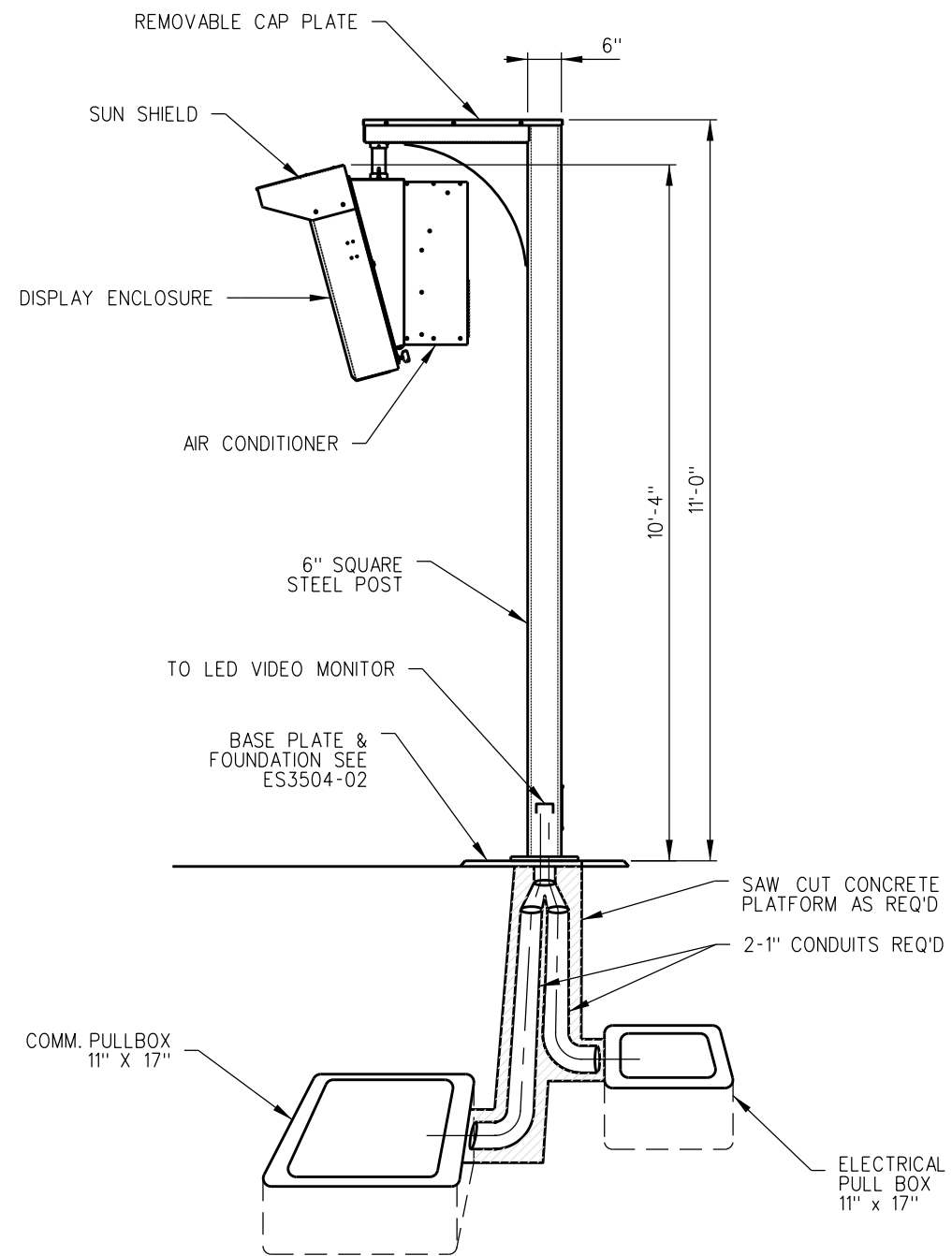
METROLINK
 SOUTHERN CALIFORNIA REGIONAL RAIL AUTHORITY
 900 WILSHIRE BLVD., SUITE 1500, L. A., CA. 90017

ENGINEERING STANDARDS
 LED MESSAGE SIGN MOUNTING DETAILS

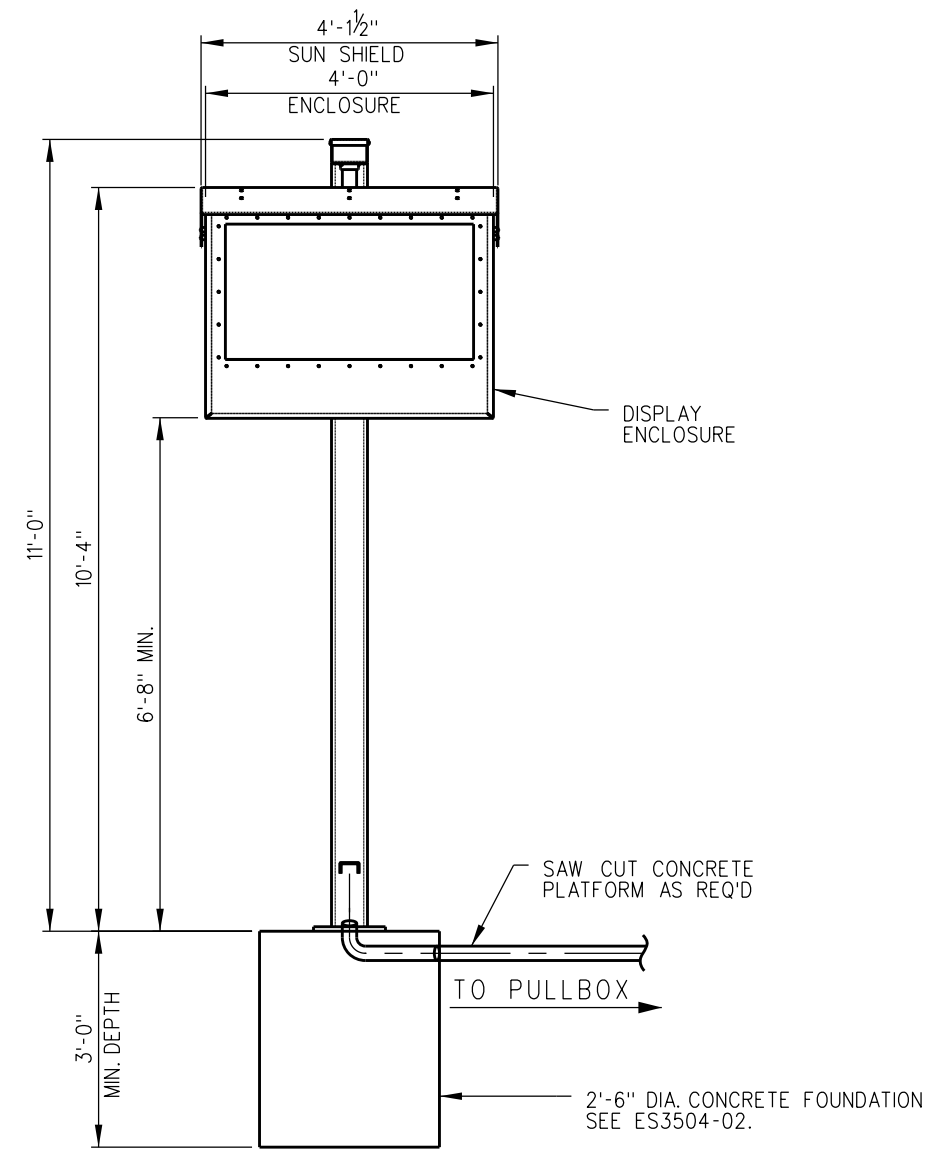
STANDARD	3503
SCALE:	NTS
REVISION SHEET	B 1 OF 1
CADD FILE:	ES3503

NOTES:

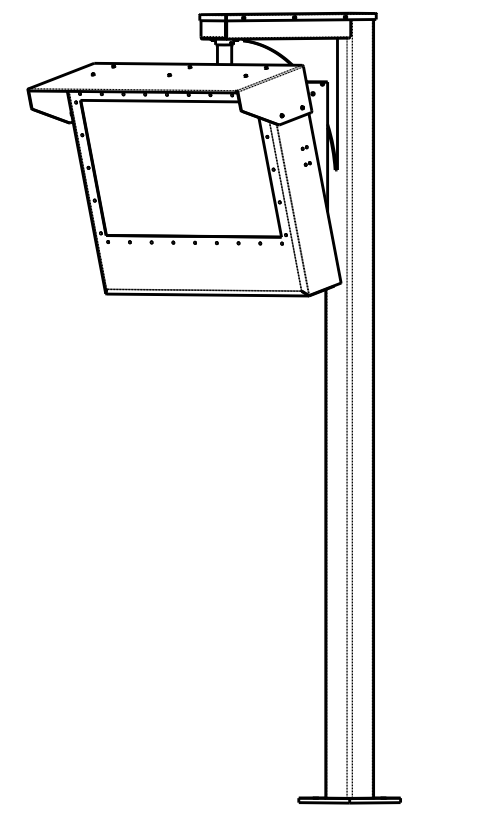
1. LED VIDEO MONITOR ENCLOSURE AND MOUNTING POST ASSEMBLY BY I.T.S. ENCLOSURES OR APPROVED EQUAL.
2. MOUNTING POST IS CARBON STEEL WITH A POLYESTER POWDER PAINT FINISH.
3. ENCLOSURE IS MARINE GRADE ALUMINUM, FORMED AND WELDED, WATER TIGHT, WITH POLYESTER POWDER FINISH.
4. UNLESS OTHERWISE SPECIFIED, ENCLOSURE AND SUPPORTS PAINT COLOR WILL BE SILVER.



MONITOR POST DETAIL: SIDE VIEW



MONITOR POST DETAIL: FRONT VIEW



ISOMETRIC VIEW

REV.	DATE	DESCRIPTION	DES.	ENG.
E	09-17-20	REVISED NOTES	AC	JMM
D	06-03-16	REVISED DETAILS	AC	NDP
C	09-28-15	REVISE DRAWING NUMBER	AC	NDP
B	07-10-15	REVISE CONTENT, REVISE TITLE	AC	NDP
A	09-07-12	REVISE NOTE 2, TVM PAD DIAGRAM AND DRAWING TITLE	AC	NDP

DRAWN BY: A. CARLOS DATE: 08/12/09
 PRINCIPAL ENGINEER, DESIGN & STANDARDS
 ASSISTANT DIRECTOR, DESIGN

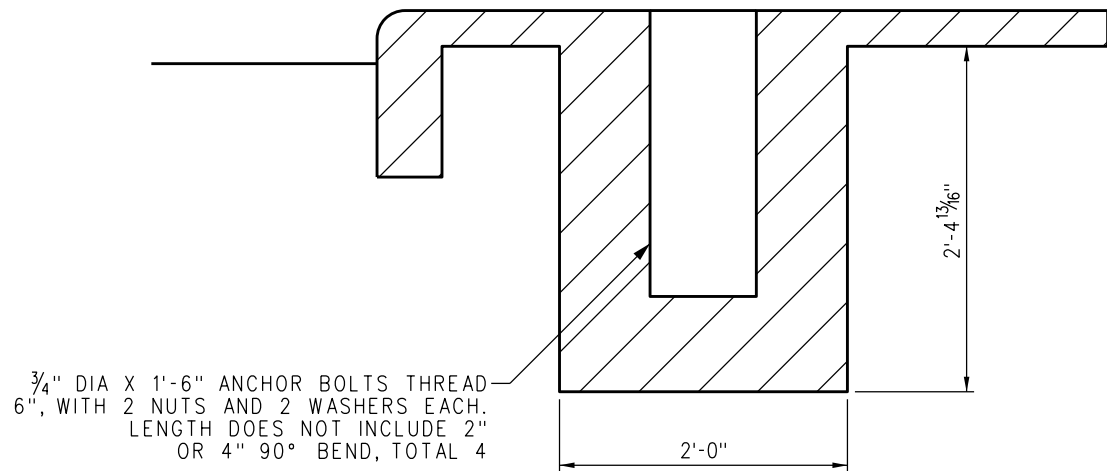
SCRR ENGINEERING STANDARDS ARE INTENDED FOR SCRR APPROVED USES ONLY. FOR NON-SCRR APPROVED USES SCRR SHALL NOT BE RESPONSIBLE FOR THE ACCURACY OR COMPLETENESS OF THE DATA OR INFORMATION CONTAINED HEREIN. THE SELECTION AND USE OF THESE STANDARDS IS THE SOLE RESPONSIBILITY OF THE USER AND SHOULD NOT BE USED WITHOUT CONSULTING A REGISTERED PROFESSIONAL ENGINEER. ALL WARRANTIES AND REPRESENTATIONS OF ANY KIND ARE DISCLAIMED. ANYONE MAKING USE OF THIS INFORMATION AGREES THAT IT ASSUMES ALL LIABILITY ARISING FROM SUCH USE. NO PART OF THESE STANDARDS SHOULD BE REPRODUCED OR DISTRIBUTED IN ANY FORM OR BY ANY MEANS WITHOUT THE PRIOR WRITTEN PERMISSION OF SCRR. ALL RIGHTS RESERVED.

METROLINK
 SOUTHERN CALIFORNIA REGIONAL RAIL AUTHORITY
 900 WILSHIRE BLVD., SUITE 1500, L. A., CA. 90017

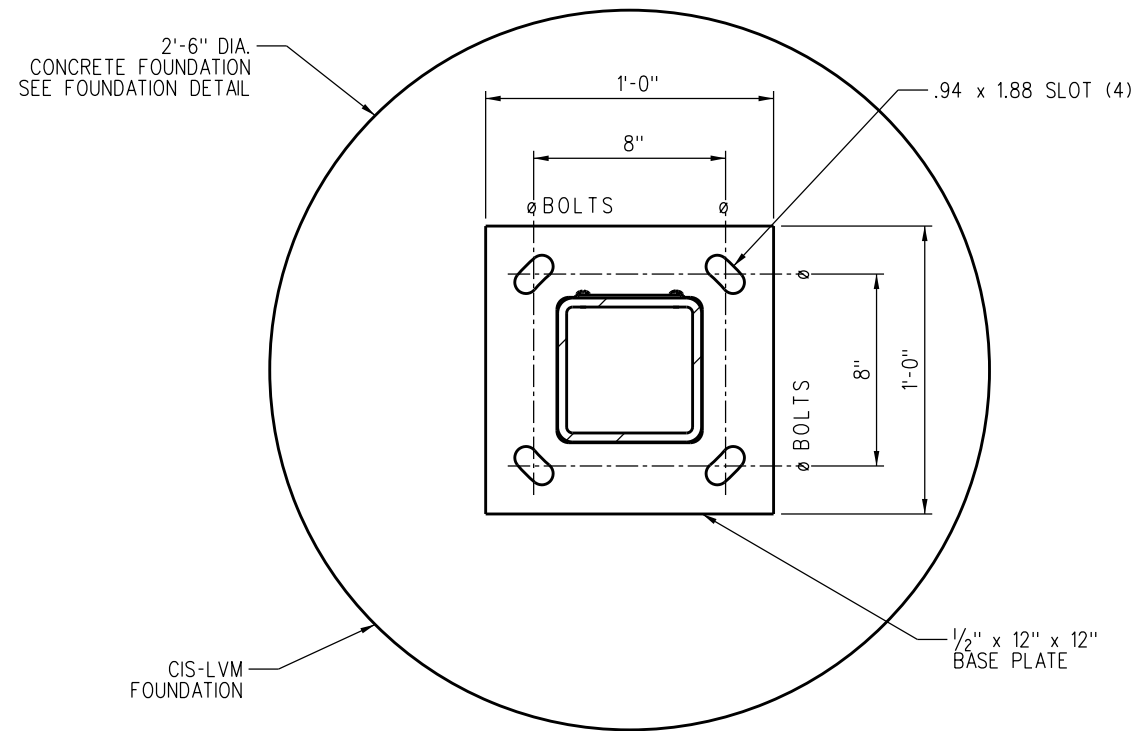
ENGINEERING STANDARDS		STANDARD
LED VIDEO MONITOR ASSEMBLY MOUNTING DETAILS		3504
REVISION SHEET		SCALE: NTS
E 1 OF 2		CADD FILE: ES3504-01

NOTES

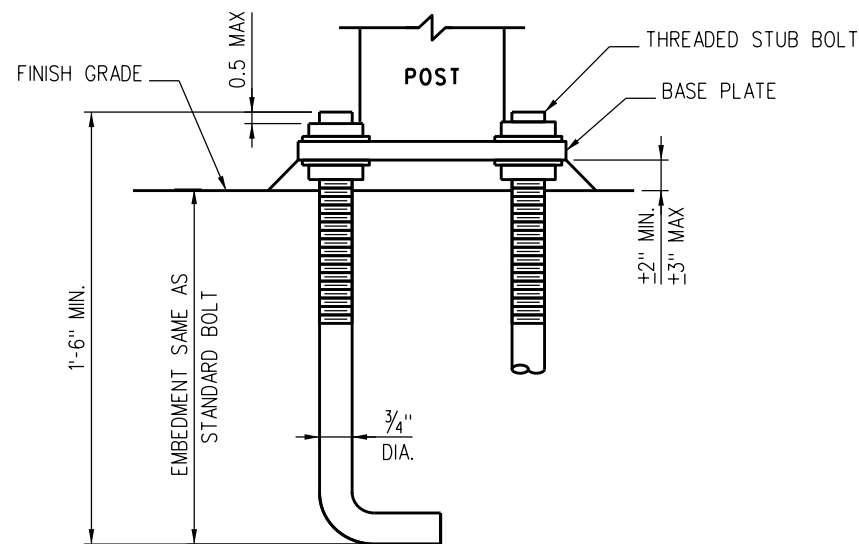
1. CONDUITS SHALL EXTEND 2" MAXIMUM ABOVE FINISHED SURFACE OF FOUNDATION.
2. ANCHOR BOLTS SHALL BE BONDED TO CONDUIT OR GROUNDING CONDUCTOR.
3. USE FOR METROLINK ENGINEERING STANDARD 3504.



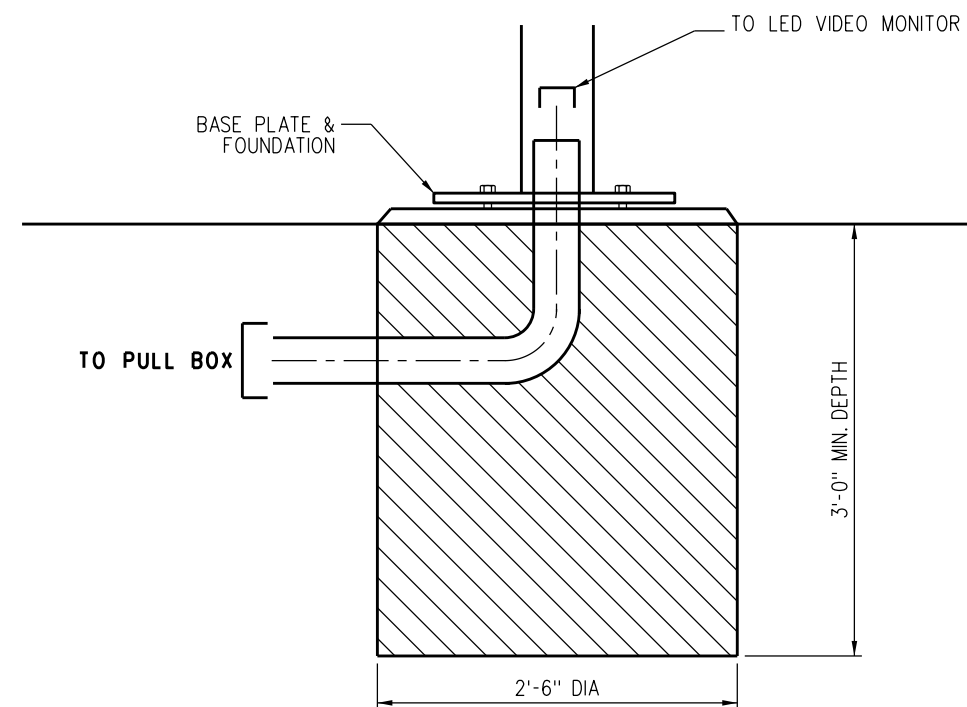
FOUNDATION DETAIL



BASE PLATE BOLT PATTERN DETAIL



ANCHOR BOLTS DETAIL



CONDUIT STUB-UP DETAIL

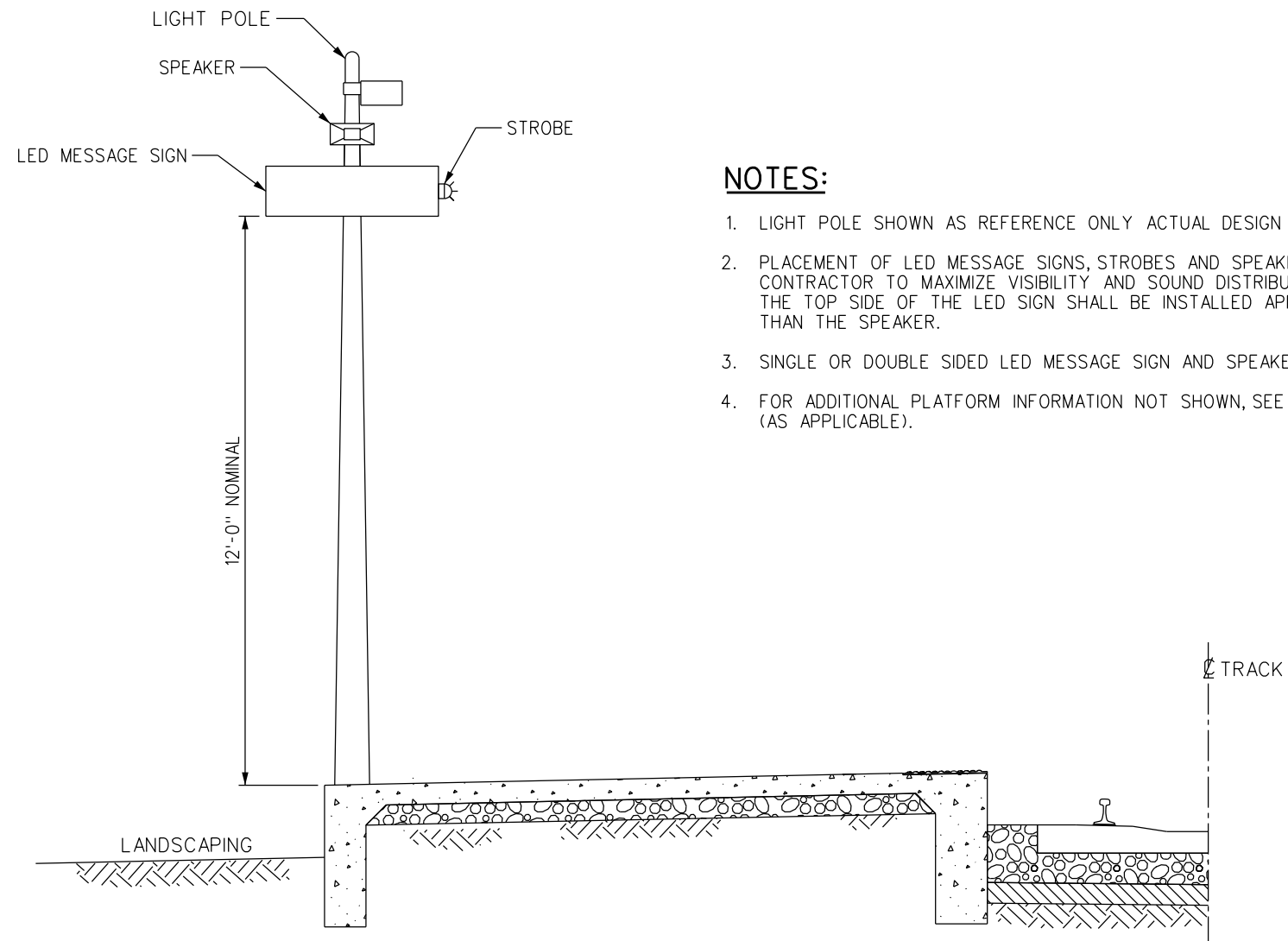
REV.	DATE	DESCRIPTION	DES.	ENG.
D	06-03-16	REVISED BASE PLATE BOLT PATTERN DETAIL	AC	NDP
C	09-28-15	REVISE DRAWING NUMBER	AC	NDP
B	07-10-15	REVISE CONTENT, REVISE TITLE	AC	NDP
A	09-07-12	REVISE TVM PAD DIAGRAM & DRAWING TITLE	AC	NDP

DRAWN BY: HDR / A. CARLOS DATE: 07/10/15
 SCRR ENGINEERING STANDARDS ARE INTENDED FOR SCRR APPROVED USES ONLY. FOR NON-SCRR APPROVED USES, SCRR SHALL NOT BE RESPONSIBLE FOR THE ACCURACY OR COMPLETENESS OF THE DATA OR INFORMATION CONTAINED HEREIN. THE SELECTION AND USE OF THESE STANDARDS IS THE SOLE RESPONSIBILITY OF THE USER AND SHOULD NOT BE USED WITHOUT CONSULTING A REGISTERED PROFESSIONAL ENGINEER. ALL WARRANTIES AND REPRESENTATIONS OF ANY KIND ARE DISCLAIMED. ANYONE MAKING USE OF THIS INFORMATION AGREES THAT IT ASSUMES ALL LIABILITY ARISING FROM SUCH USE. NO PART OF THESE STANDARDS SHOULD BE REPRODUCED OR DISTRIBUTED IN ANY FORM OR BY ANY MEANS WITHOUT THE PRIOR WRITTEN PERMISSION OF SCRR. ALL RIGHTS RESERVED.

METROLINK
 SOUTHERN CALIFORNIA REGIONAL RAIL AUTHORITY
 900 WILSHIRE BLVD., SUITE 1500, L. A., CA. 90017

ENGINEERING STANDARDS
 LED VIDEO MONITOR ASSEMBLY
 MOUNTING POST FOUNDATION DETAIL

STANDARD	3504
SCALE	NTS
REVISION SHEET	D 2 OF 2
CADD FILE	ES3504-02



NOTES:

1. LIGHT POLE SHOWN AS REFERENCE ONLY ACTUAL DESIGN VARIES BY STATION.
2. PLACEMENT OF LED MESSAGE SIGNS, STROBES AND SPEAKERS SHALL BE LOCATED BY THE CONTRACTOR TO MAXIMIZE VISIBILITY AND SOUND DISTRIBUTION, AND VARIES BY STATION. THE TOP SIDE OF THE LED SIGN SHALL BE INSTALLED APPROXIMATELY ONE FOOT LOWER THAN THE SPEAKER.
3. SINGLE OR DOUBLE SIDED LED MESSAGE SIGN AND SPEAKERS AS APPLICABLE.
4. FOR ADDITIONAL PLATFORM INFORMATION NOT SHOWN, SEE DRAWING ES3201 (AS APPLICABLE).

SIDE PLATFORM

REV.	DATE	DESCRIPTION	DES.	ENG.
A	09-17-20	REVISED DETAIL	AC	JMM

DRAWN BY: A. CARLOS DATE: 12/24/09

[Signature]
 PRINCIPAL ENGINEER, DESIGN & STANDARDS

[Signature]
 ASSISTANT DIRECTOR, DESIGN

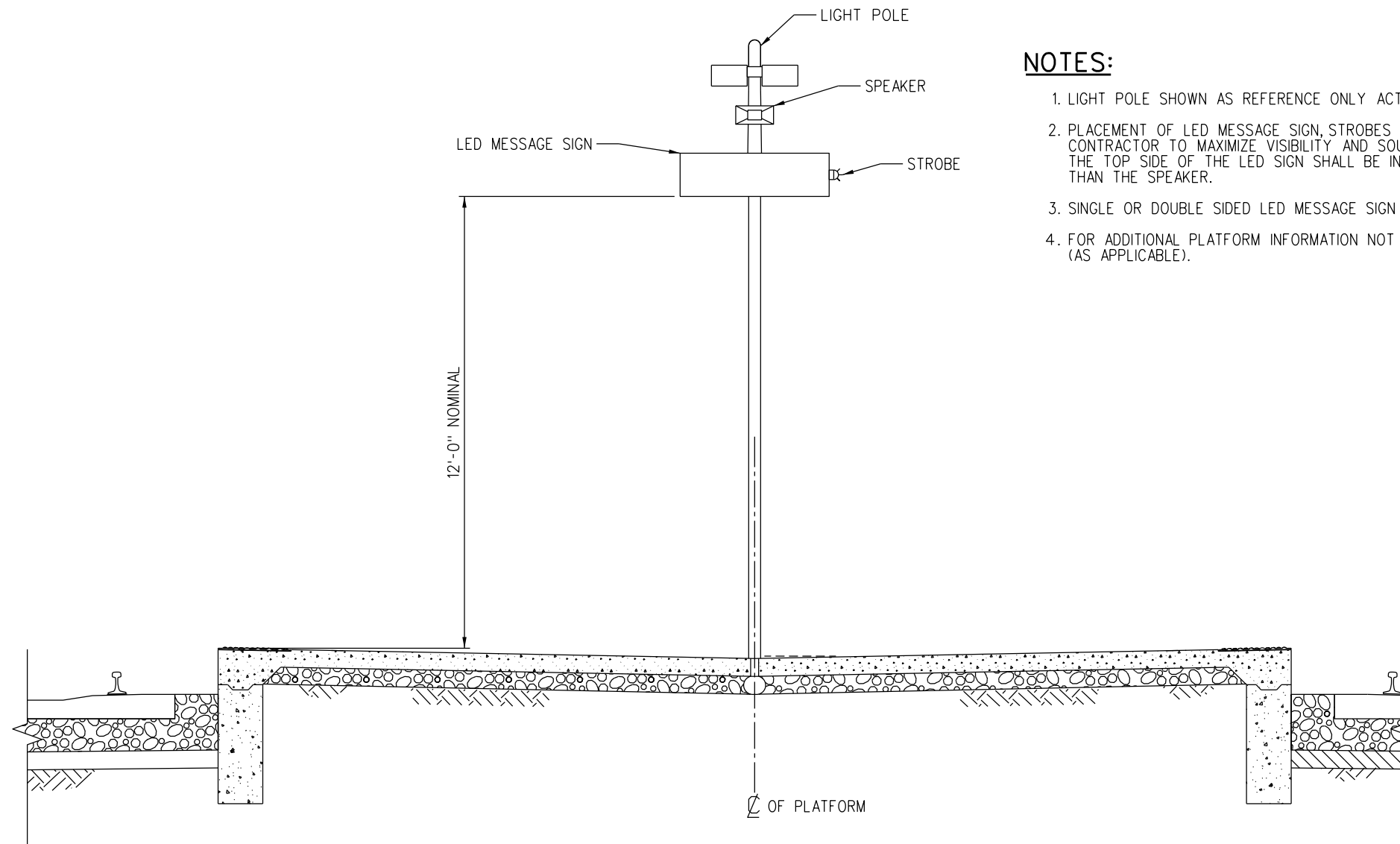
SCRR ENGINEERING STANDARDS ARE INTENDED FOR SCRR APPROVED USES ONLY. FOR NON-SCRR APPROVED USES, SCRR SHALL NOT BE RESPONSIBLE FOR THE ACCURACY OR COMPLETENESS OF THE DATA OR INFORMATION CONTAINED HEREIN. THE SELECTION AND USE OF THESE STANDARDS IS THE SOLE RESPONSIBILITY OF THE USER AND SHOULD NOT BE USED WITHOUT CONSULTING A REGISTERED PROFESSIONAL ENGINEER. ALL WARRANTIES AND REPRESENTATIONS OF ANY KIND ARE DISCLAIMED. ANYONE MAKING USE OF THIS INFORMATION AGREES THAT IT ASSUMES ALL LIABILITY ARISING FROM SUCH USE. NO PART OF THESE STANDARDS SHOULD BE REPRODUCED OR DISTRIBUTED IN ANY FORM OR BY ANY MEANS WITHOUT THE PRIOR WRITTEN PERMISSION OF SCRR. ALL RIGHTS RESERVED.

METROLINK
 SOUTHERN CALIFORNIA REGIONAL RAIL AUTHORITY
 900 WILSHIRE BLVD., SUITE 1500, L. A., CA. 90017

ENGINEERING STANDARDS

LED MESSAGE SIGN
 MOUNTING LOCATION
 SIDE PLATFORMS

STANDARD	3505
SCALE:	NTS
REVISION SHEET	A 1 OF 1
CADD FILE:	ES3505



NOTES:

1. LIGHT POLE SHOWN AS REFERENCE ONLY ACTUAL DESIGN VARIES BY STATION.
2. PLACEMENT OF LED MESSAGE SIGN, STROBES AND SPEAKERS SHALL BE LOCATED BY THE CONTRACTOR TO MAXIMIZE VISIBILITY AND SOUND DISTRIBUTION, AND VARIES BY STATION. THE TOP SIDE OF THE LED SIGN SHALL BE INSTALLED APPROXIMATELY ONE FOOT LOWER THAN THE SPEAKER.
3. SINGLE OR DOUBLE SIDED LED MESSAGE SIGN AND SPEAKERS AS APPLICABLE.
4. FOR ADDITIONAL PLATFORM INFORMATION NOT SHOWN, SEE DRAWING ES3202 (AS APPLICABLE).

CENTER PLATFORM

REV.	DATE	DESCRIPTION	DES.	ENG.
A	09-17-20	REVISED DETAIL	AC	JMM

DRAWN BY: A. CARLOS DATE: 12/24/09

[Signature]
 PRINCIPAL ENGINEER, DESIGN & STANDARDS

[Signature]
 ASSISTANT DIRECTOR, DESIGN

SCRR ENGINEERING STANDARDS ARE INTENDED FOR SCRR APPROVED USES ONLY. FOR NON-SCRR APPROVED USES SCRR SHALL NOT BE RESPONSIBLE FOR THE ACCURACY OR COMPLETENESS OF THE DATA OR INFORMATION CONTAINED HEREIN. THE SELECTION AND USE OF THESE STANDARDS IS THE SOLE RESPONSIBILITY OF THE USER AND SHOULD NOT BE USED WITHOUT CONSULTING A REGISTERED PROFESSIONAL ENGINEER. ALL WARRANTIES AND REPRESENTATIONS OF ANY KIND ARE DISCLAIMED. ANYONE MAKING USE OF THIS INFORMATION AGREES THAT IT ASSUMES ALL LIABILITY ARISING FROM SUCH USE. NO PART OF THESE STANDARDS SHOULD BE REPRODUCED OR DISTRIBUTED IN ANY FORM OR BY ANY MEANS WITHOUT THE PRIOR WRITTEN PERMISSION OF SCRR. ALL RIGHTS RESERVED.

METROLINK
 SOUTHERN CALIFORNIA REGIONAL RAIL AUTHORITY
 900 WILSHIRE BLVD., SUITE 1500, L. A., CA. 90017

ENGINEERING STANDARDS

LED MESSAGE SIGN
 MOUNTING LOCATION
 CENTER PLATFORMS

STANDARD	3506
SCALE:	NTS
REVISION SHEET	A 1 OF 1
CADD FILE:	ES3506

MATERIALS LIST


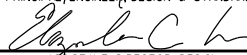
EXISTING STATIONS

<u>ITEM</u>	<u>DESCRIPTION</u>	<u>RECOMMENDED MANUFACTURERS</u>	<u>MODEL NO.</u>
1.	ETHERNET SWITCH W/SFP	HP	HP1910
2.	AUDIO AMPLIFIER	CROWN	CTs 4200
3.	PRIORITY CONTROLLER	BSS AUDIO	BLU-50
4.	47" COMMERCIAL LED VIDEO MONITOR	LG	47WX50MF
5.	NETWORK MEDIA PLAYER	VIEWSONIC	NMP-530, VS11681
6.	STROBE LIGHT	FEDERAL SIGNAL	131DST
7.	AUDIO PRESENCE DETECTOR	DAVICOM	DAPD-01
8.	STATION CONTROLLER	SUPERLOGICS	SL-1U-CTHG1-LA
9.	INTERFACE CONVERTER	PERLE	IOLAN DS1
10.	ENVIRONMENTAL DISTRIBUTION CENTER	CORNING	CCH-040
11.	RACK MOUNT CONNECTOR HOUSING	CORNING	CCH-SERIES
12.	BATTERY	EATON INNOVATIVE TECHNOLOGY	PW9130N 3000REBM21
13.	UPS	EATON INNOVATIVE TECHNOLOGY	PW9130 L2000R-XL2US
14.	CLOSET CONNECTOR HOUSING PIGTAIL MODULES	CORNING	CCH SERIES
15.	SPLICE MODULES	CORNING	CCH SERIES
16.	LED VIDEO MONITOR ENCLOSURE (INCLUDING 47" LED VIDEO MONITOR, INSULATION, ENCLOSURE POST, BRACKETS, MOUNTS, T20 2000 BTU AIR CONDITIONER/ HEATER), STAINLESS STEEL MOUNTING POST AND BRACKETS	ITS ENCLOSURES	VS-FS-4TLG-SLV CUSTOM MOUNT STE-02810.9-00 STE-01230.9-00
17.	LED MESSAGE SIGNS	DAKTRONICS	AF-6300-16X9-12-A-S
18.	MODULAR MEDIA CONVERTER	TRANSITION NETWORKS	CPSMC 1810-200
19.	LED VIDEO MONITOR/MSF SIGNAL FPP	CORNING	SPH-01P
20.	LED VIDEO MONITOR/MESSAGE SIGNS INTERFACE CONVERTER	TRANSITION NETWORKS	SGFEB1014-120
21.	AMBIENT NOISE SENSOR	TELEX	WP-300

NEW STATIONS

<u>ITEM</u>	<u>DESCRIPTION</u>	<u>RECOMMENDED MANUFACTURERS</u>	<u>MODEL NO.</u>
1.	ETHERNET SWITCH W/SFP	HP	HP1910
2.	AUDIO AMPLIFIER	CROWN	CTs 4200
3.	PRIORITY CONTROLLER	BSS AUDIO	BLU-16
4.	47" COMMERCIAL LED VIDEO MONITOR	LG	47WX50MF
5.	NETWORK MEDIA PLAYER	VIEWSONIC	NMP-530, VS11681
6.	STROBE LIGHT	FEDERAL SIGNAL	131DST
7.	AUDIO PRESENCE DETECTOR	DAVICOM	DAPD-01
8.	STATION CONTROLLER	SUPERLOGICS	SL-1U-CTHG1-LA
9.	INTERFACE CONVERTER	PERLE	IOLAN DS1
10.	ENVIRONMENTAL DISTRIBUTION CENTER	CORNING	CCH-040
11.	RACK MOUNT CONNECTOR HOUSING	CORNING	CCH-SERIES
12.	BATTERY	EATON INNOVATIVE TECHNOLOGY	PW9130N 3000REBM21
13.	UPS	EATON INNOVATIVE TECHNOLOGY	PW9130 L2000R-XL2US
14.	CLOSET CONNECTOR HOUSING PIGTAIL MODULES	CORNING	CCH SERIES
15.	SPLICE MODULES	CORNING	CCH SERIES
16.	LED VIDEO MONITOR ENCLOSURE (INCLUDING 47" LED VIDEO MONITOR, INSULATION, ENCLOSURE POST, BRACKETS, MOUNTS, T20 2000 BTU AIR CONDITIONER/ HEATER), STAINLESS STEEL MOUNTING POST AND BRACKETS	ITS ENCLOSURES	VS-FS-4TLG-SLV CUSTOM MOUNT STE-02810.9-00 STE-01230.9-00
17.	LED MESSAGE SIGNS	DAKTRONICS	AF-6300-16X9-12-A-S
18.	MODULAR MEDIA CONVERTER	TRANSITION NETWORKS	CPSMC 1810-200
19.	LED VIDEO MONITOR/MSF SIGNAL FPP	CORNING	SPH-01P
20.	LED VIDEO MONITOR/MESSAGE SIGNS INTERFACE CONVERTER	TRANSITION NETWORKS	SGFEB1014-120
21.	AMBIENT NOISE SENSOR	TELEX	WD-300

REV.	DATE	DESCRIPTION	DES.	ENG.
E	05-31-17	REVISED DRAWING NUMBER	AC	LA
D	09-28-15	REVISED DRAWING NUMBER	AC	NDP
C	07-10-15	REVISED MATERIALS LIST	AC	NDP
B	12-24-14	REVISED MATERIALS LIST	AC	NDP
A	09-21-12	REVISED DRAWING TITLE	AC	NDP

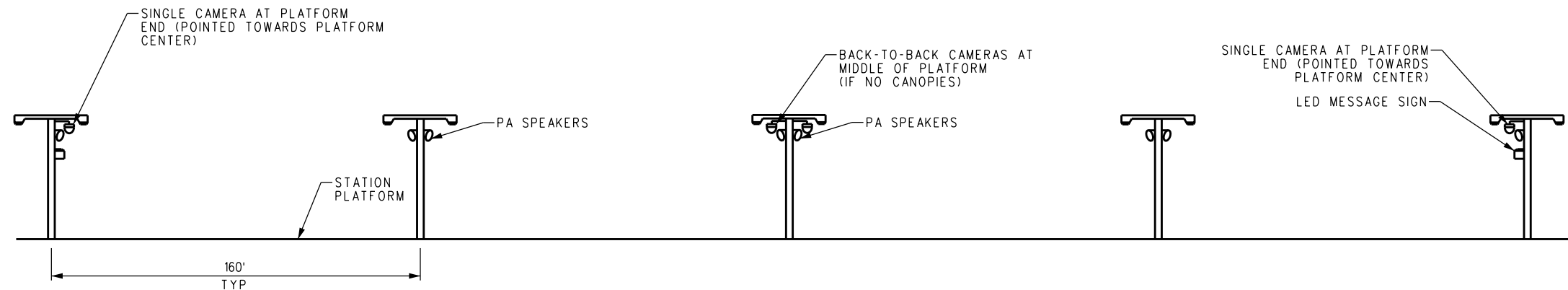
DRAWN BY:	A. CARLOS	DATE:	07/21/09
 PRINCIPAL ENGINEER, DESIGN & STANDARDS			
 ASSISTANT DIRECTOR, DESIGN			

SCRR ENGINEERING STANDARDS ARE INTENDED FOR SCRR APPROVED USES ONLY. FOR NON-SCRR APPROVED USES, SCRR SHALL NOT BE RESPONSIBLE FOR THE ACCURACY OR COMPLETENESS OF THE DATA OR INFORMATION CONTAINED HEREIN. THE SELECTION AND USE OF THESE STANDARDS IS THE SOLE RESPONSIBILITY OF THE USER AND SHOULD NOT BE USED WITHOUT CONSULTING A REGISTERED PROFESSIONAL ENGINEER. ALL WARRANTIES AND REPRESENTATIONS OF ANY KIND ARE DISCLAIMED. ANYONE MAKING USE OF THIS INFORMATION AGREES THAT IT ASSUMES ALL LIABILITY ARISING FROM SUCH USE. NO PART OF THESE STANDARDS SHOULD BE REPRODUCED OR DISTRIBUTED IN ANY FORM OR BY ANY MEANS WITHOUT THE PRIOR WRITTEN PERMISSION OF SCRR. ALL RIGHTS RESERVED.

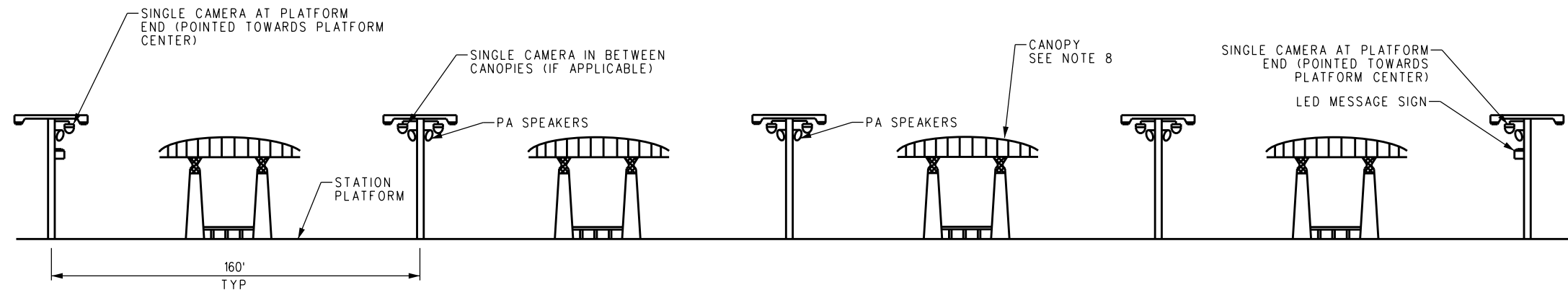


SOUTHERN CALIFORNIA REGIONAL RAIL AUTHORITY
900 WILSHIRE BLVD., SUITE 1500, L. A., CA. 90017

ENGINEERING STANDARDS		STANDARD	3507
CIS MATERIALS LIST		SCALE:	NTS
		REVISION SHEET	E 1 OF 1
		CADD FILE:	ES3507



DETAIL A: TYPICAL MOUNTING LOCATIONS ON STATION PLATFORM WITHOUT CANOPIES



DETAIL B: TYPICAL MOUNTING LOCATIONS ON STATION PLATFORM WITH CANOPIES

NOTES:

1. THIS DRAWING FOR REFERENCE ONLY. PLATFORM LAYOUT VARIES BY LOCATION.
2. PLATFORM CAMERAS TO BE MOUNTED ON THE SAME PLATFORM LIGHT FIXTURE AS LED MESSAGE SIGNS AND/OR PA SPEAKERS.
3. PLATFORM CAMERAS TO BE MOUNTED ABOVE PA SPEAKERS, WHEN APPLICABLE. MOUNT CAMERAS AT A HEIGHT TO MAXIMIZE THE COVERAGE AREA.
4. SEE DRAWING ES3505 AND ES3506 FOR CIS SIGN AND SPEAKER MOUNTING DETAILS.
5. ALL PLATFORM CAMERAS SHALL BE OF THE PTZ (PAN-TILT-ZOOM) TYPE, UNLESS APPROVED OTHERWISE.
6. PLATFORM CAMERA MOUNTING LOCATIONS AND DETAILS TO BE APPROVED BY SCRRRA PRIOR TO INSTALLATION.
7. DUAL CAMERAS SHOWN FOR CLARITY, SINGLE 180/360 DEGREE CAMERA PREFERRED.
8. ANY CIS EQUIPMENT PROPOSED TO BE MOUNTED ON OR UNDER THE CANOPY MUST BE APPROVED BY SCRRRA. SEE ES3201 AND ES3202 FOR ADDITIONAL DETAILS.

REV.	DATE	DESCRIPTION	DES.	ENG.
C	09-17-20	REVISED ELEVATIONS AND ADDED NOTE 8	AC	JMM
B	05-31-17	REVISED ELEVATIONS AND NOTE 4	AC	LA
A	09-28-15	REVISE DRAWING NUMBER	AC	NDP

DRAWN BY: A. CARLOS DATE: 12/24/09
 SCRRRA ENGINEERING STANDARDS ARE INTENDED FOR SCRRRA APPROVED USES ONLY. FOR NON-SCRRRA APPROVED USES, SCRRRA SHALL NOT BE RESPONSIBLE FOR THE ACCURACY OR COMPLETENESS OF THE DATA OR INFORMATION CONTAINED HEREIN. THE SELECTION AND USE OF THESE STANDARDS IS THE SOLE RESPONSIBILITY OF THE USER AND SHOULD NOT BE USED WITHOUT CONSULTING A REGISTERED PROFESSIONAL ENGINEER. ALL WARRANTIES AND REPRESENTATIONS OF ANY KIND ARE DISCLAIMED. ANYONE MAKING USE OF THIS INFORMATION AGREES THAT IT ASSUMES ALL LIABILITY ARISING FROM SUCH USE. NO PART OF THESE STANDARDS SHOULD BE REPRODUCED OR DISTRIBUTED IN ANY FORM OR BY ANY MEANS WITHOUT THE PRIOR WRITTEN PERMISSION OF SCRRRA. ALL RIGHTS RESERVED.

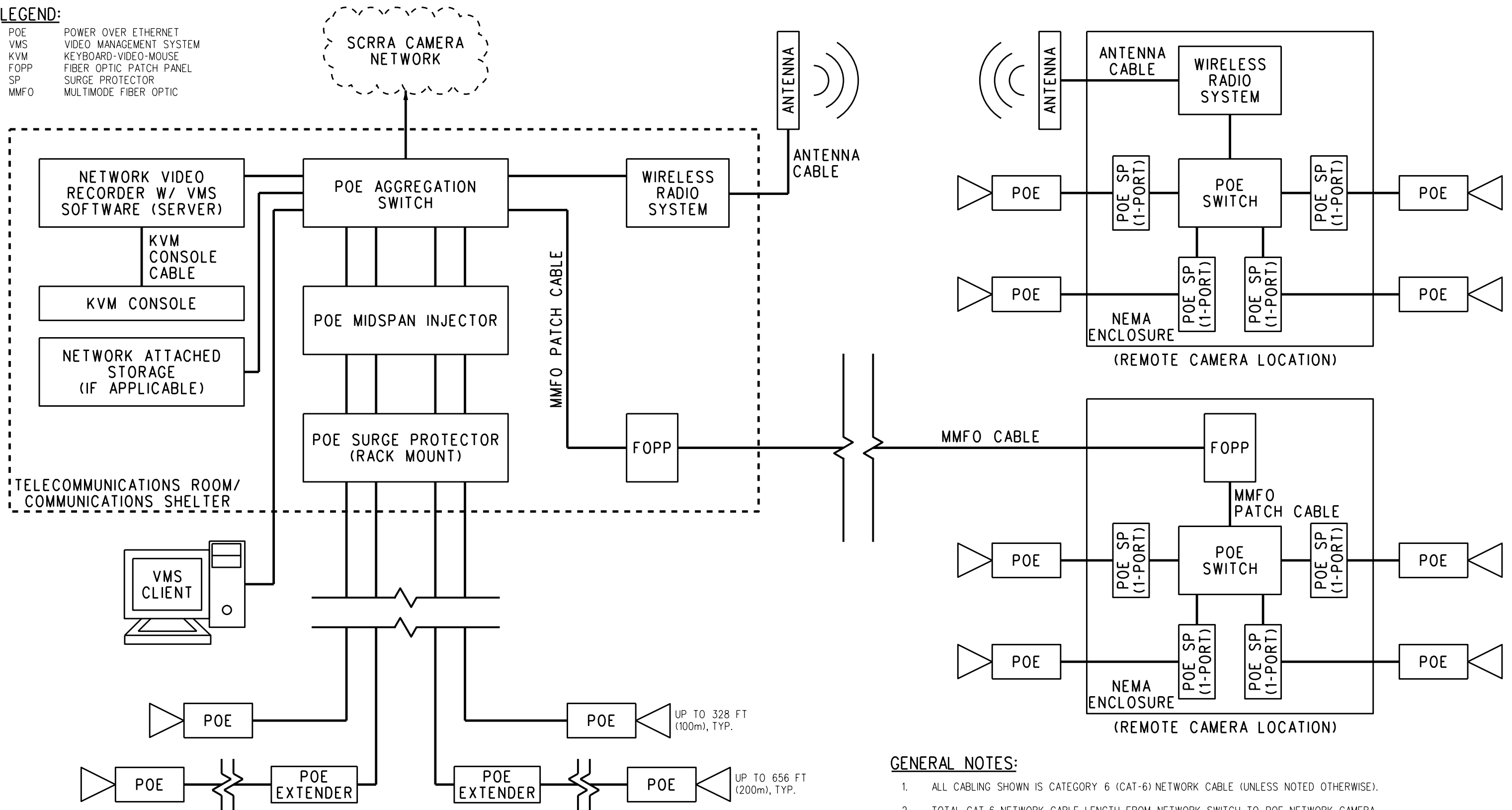

 SOUTHERN CALIFORNIA REGIONAL RAIL AUTHORITY
 900 WILSHIRE BLVD., SUITE 1500, L. A., CA. 90017

ENGINEERING STANDARDS
VIDEO SURVEILLANCE SYSTEM (VSS)
MOUNTING AND SPACING DETAILS
(TYPICAL)

STANDARD	3601
SCALE:	NTS
REVISION SHEET	C 1 OF 1
CADD FILE:	ES3601

LEGEND:

POE POWER OVER ETHERNET
 VMS VIDEO MANAGEMENT SYSTEM
 KVM KEYBOARD-VIDEO-MOUSE
 FOPP FIBER OPTIC PATCH PANEL
 SP SURGE PROTECTOR
 MMFO MULTIMODE FIBER OPTIC



GENERAL NOTES:

1. ALL CABLING SHOWN IS CATEGORY 6 (CAT-6) NETWORK CABLE (UNLESS NOTED OTHERWISE).
2. TOTAL CAT-6 NETWORK CABLE LENGTH FROM NETWORK SWITCH TO POE NETWORK CAMERA SHALL NOT EXCEED 656 FEET (200m) WITH ONE (1) POE EXTENDER (328 FEET (100m) WITH NO POE EXTENDER).
3. ONE (1) RJ45 PORT (ON NETWORK SWITCH) PER POE NETWORK CAMERA.

REV.	DATE	DESCRIPTION	DES.	ENG.
B	05-29-20	REVISED LABEL	AC	JMM
A	09-28-15	REVISE DRAWING NUMBER	AC	NDP

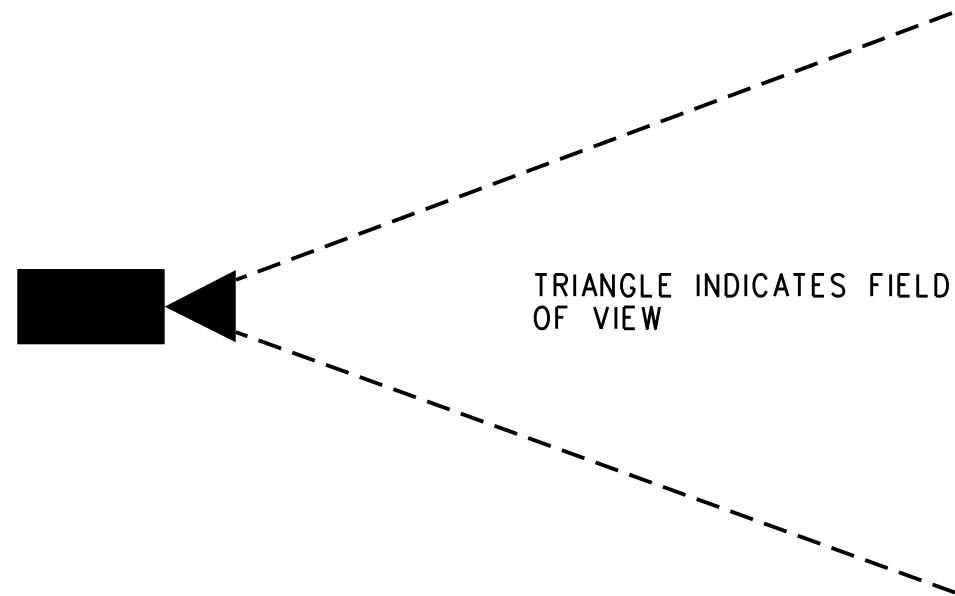
DRAWN BY: A. CARLOS DATE: 06/30/15
 PRINCIPAL ENGINEER, DESIGN & STANDARDS
 ASSISTANT DIRECTOR, DESIGN

SCRR ENGINEERING STANDARDS ARE INTENDED FOR SCRR APPROVED USES ONLY. FOR NON-SCRR APPROVED USES, SCRR SHALL NOT BE RESPONSIBLE FOR THE ACCURACY OR COMPLETENESS OF THE DATA OR INFORMATION CONTAINED HEREIN. THE SELECTION AND USE OF THESE STANDARDS IS THE SOLE RESPONSIBILITY OF THE USER AND SHOULD NOT BE USED WITHOUT CONSULTING A REGISTERED PROFESSIONAL ENGINEER. ALL WARRANTIES AND REPRESENTATIONS OF ANY KIND ARE DISCLAIMED. ANYONE MAKING USE OF THIS INFORMATION AGREES THAT IT ASSUMES ALL LIABILITY ARISING FROM SUCH USE. NO PART OF THESE STANDARDS SHOULD BE REPRODUCED OR DISTRIBUTED IN ANY FORM OR BY ANY MEANS WITHOUT THE PRIOR WRITTEN PERMISSION OF SCRR. ALL RIGHTS RESERVED.

METROLINK
 SOUTHERN CALIFORNIA REGIONAL RAIL AUTHORITY
 900 WILSHIRE BLVD., SUITE 1500, L. A., CA. 90017

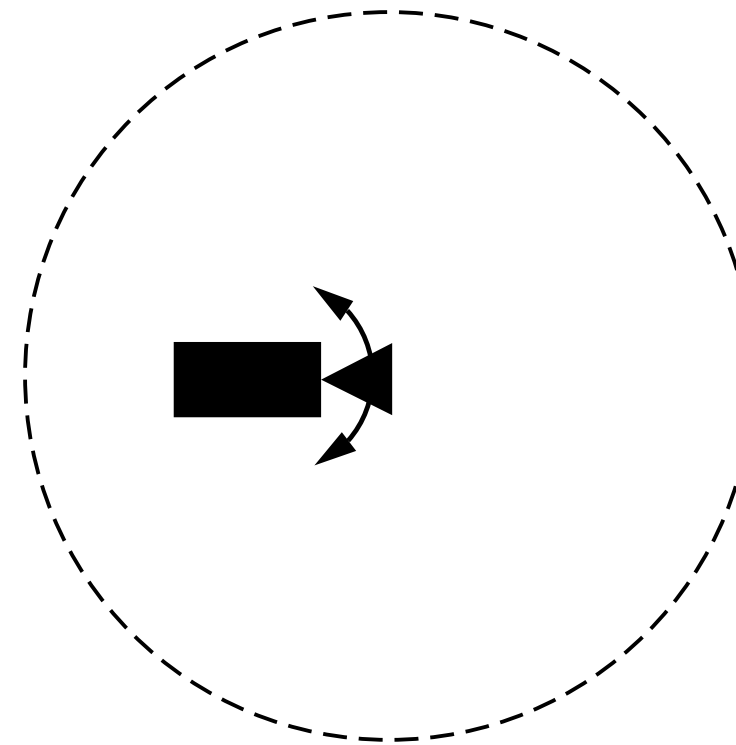
ENGINEERING STANDARDS
 VIDEO SURVEILLANCE SYSTEM (VSS)
 TYPICAL NETWORK LINE DIAGRAM

STANDARD	3602
SCALE:	NTS
REVISION SHEET	B 1 OF 1
CADD FILE:	ES3602



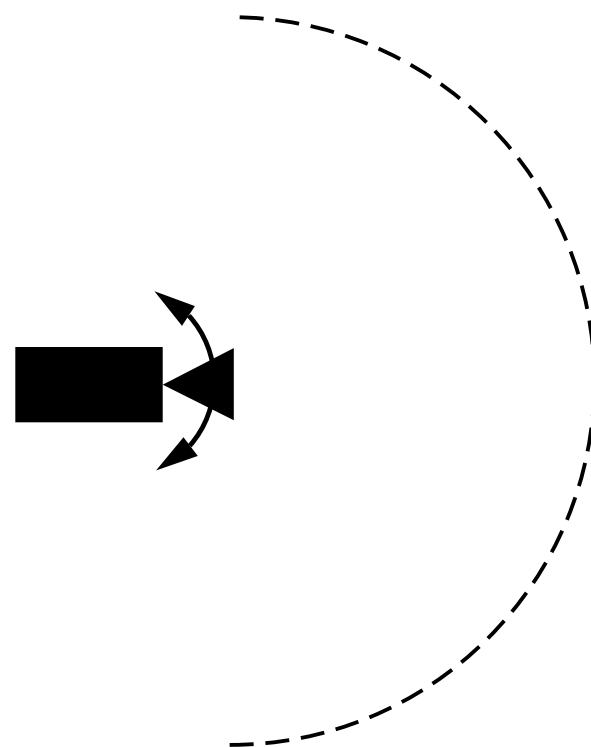
TRIANGLE INDICATES FIELD OF VIEW

FIXED CAMERA



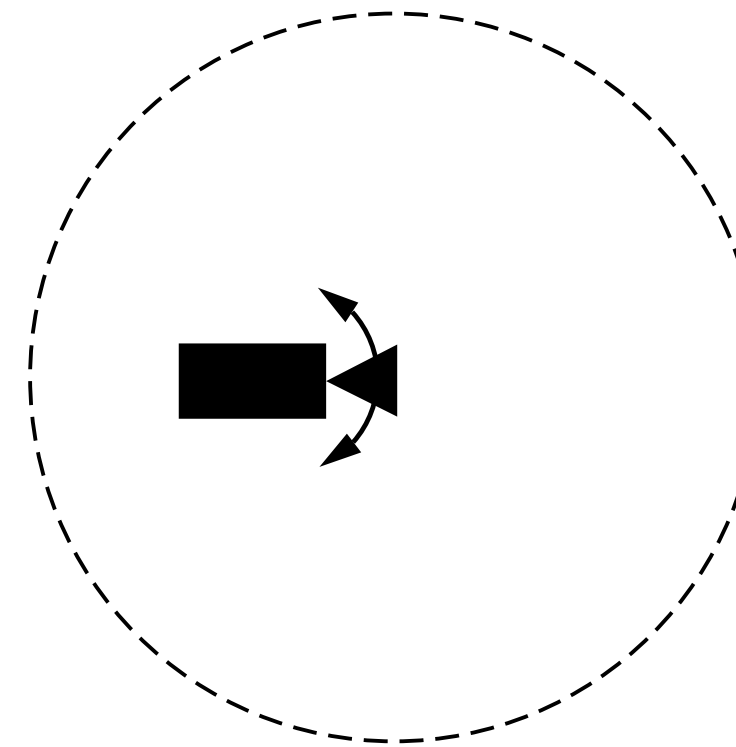
CIRCLE INDICATES FIELD OF VIEW

PAN-TILT-ZOOM (PTZ) CAMERA



SEMI-CIRCLE INDICATES FIELD OF VIEW

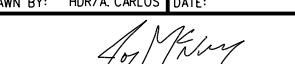

180 DEGREE CAMERA



CIRCLE INDICATES FIELD OF VIEW

360 DEGREE CAMERA

REV.	DATE	DESCRIPTION	DES.	ENG.
A	09-28-15	REVISE DRAWING NUMBER	AC	NDP

DRAWN BY:	HDR/A. CARLOS	DATE:	06/30/15
 PRINCIPAL ENGINEER, DESIGN & STANDARDS			
 ASSISTANT DIRECTOR, DESIGN			

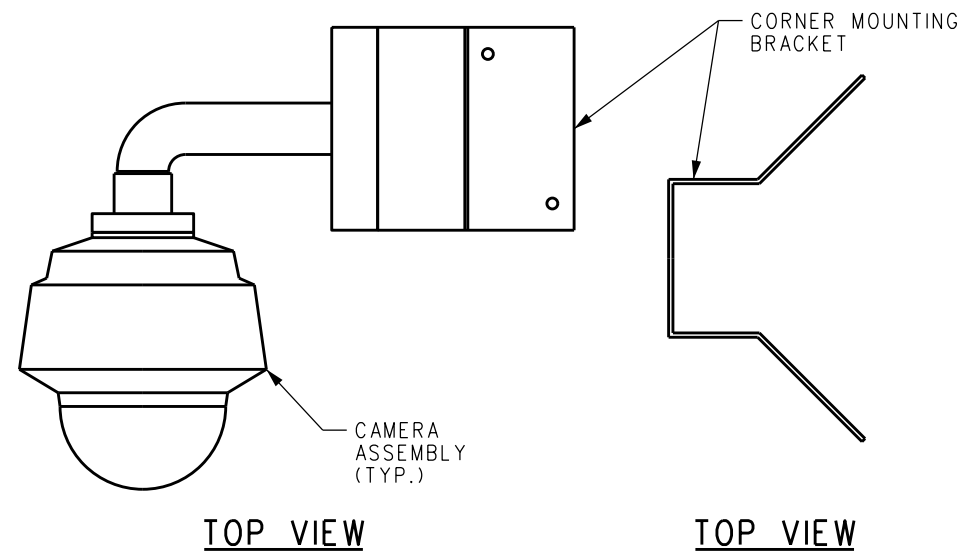
SCRR ENGINEERING STANDARDS ARE INTENDED FOR SCRR APPROVED USES ONLY. FOR NON-SCRR APPROVED USES, SCRR SHALL NOT BE RESPONSIBLE FOR THE ACCURACY OR COMPLETENESS OF THE DATA OR INFORMATION CONTAINED HEREIN. THE SELECTION AND USE OF THESE STANDARDS IS THE SOLE RESPONSIBILITY OF THE USER AND SHOULD NOT BE USED WITHOUT CONSULTING A REGISTERED PROFESSIONAL ENGINEER. ALL WARRANTIES AND REPRESENTATIONS OF ANY KIND ARE DISCLAIMED. ANYONE MAKING USE OF THIS INFORMATION AGREES THAT IT ASSUMES ALL LIABILITY ARISING FROM SUCH USE. NO PART OF THESE STANDARDS SHOULD BE REPRODUCED OR DISTRIBUTED IN ANY FORM OR BY ANY MEANS WITHOUT THE PRIOR WRITTEN PERMISSION OF SCRR. ALL RIGHTS RESERVED.



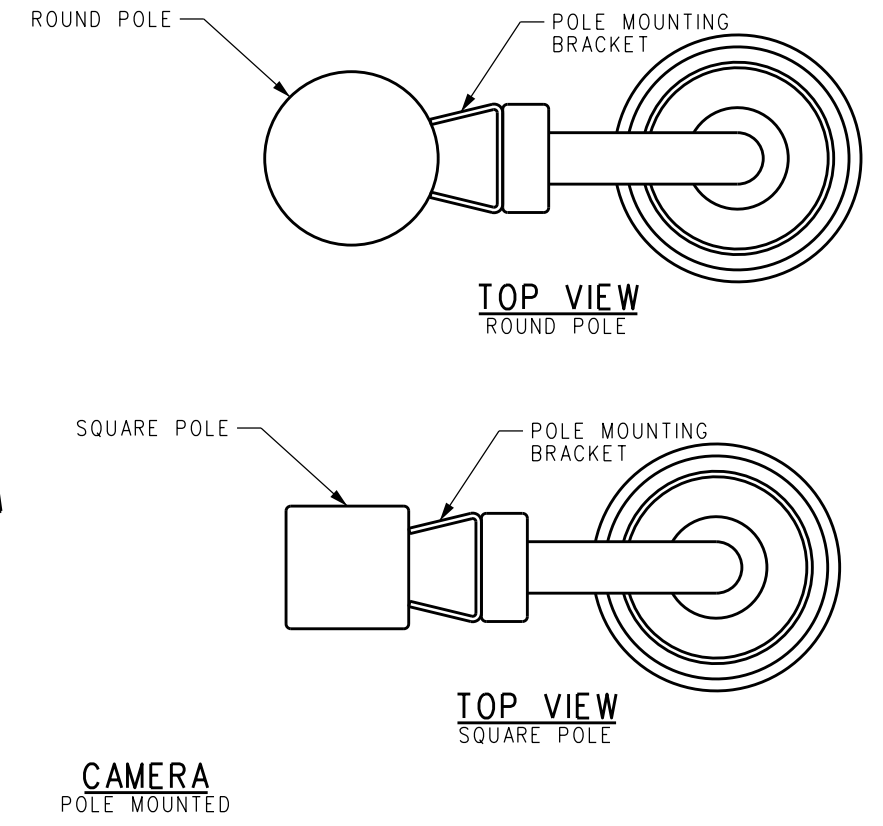
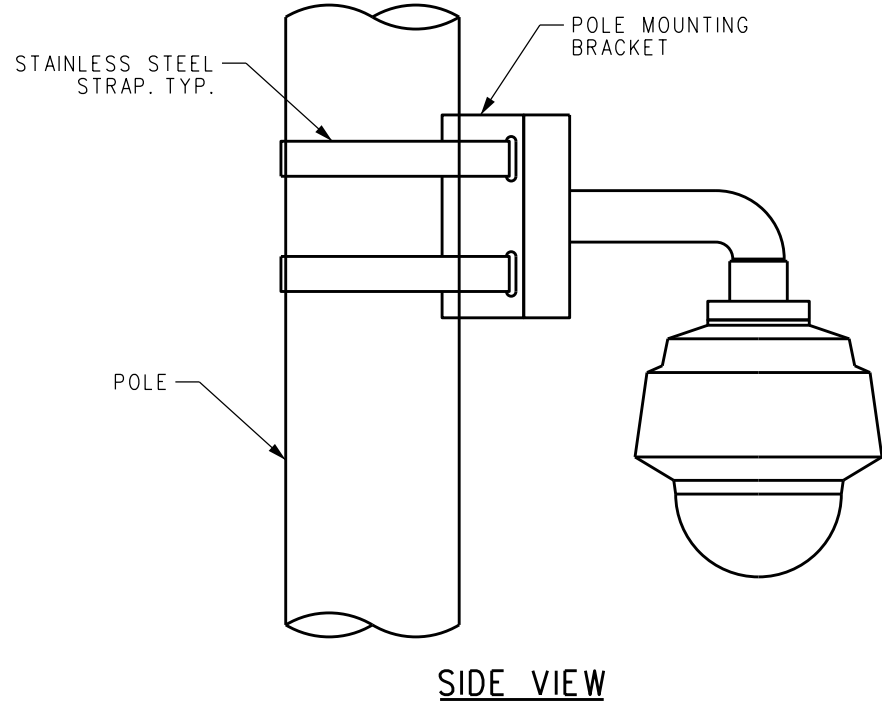
METROLINK
 SOUTHERN CALIFORNIA REGIONAL RAIL AUTHORITY
 900 WILSHIRE BLVD., SUITE 1500, L. A., CA. 90017

ENGINEERING STANDARDS	
VIDEO SURVEILLANCE SYSTEM (VSS) CAMERA FIELD OF VIEW DETAILS	

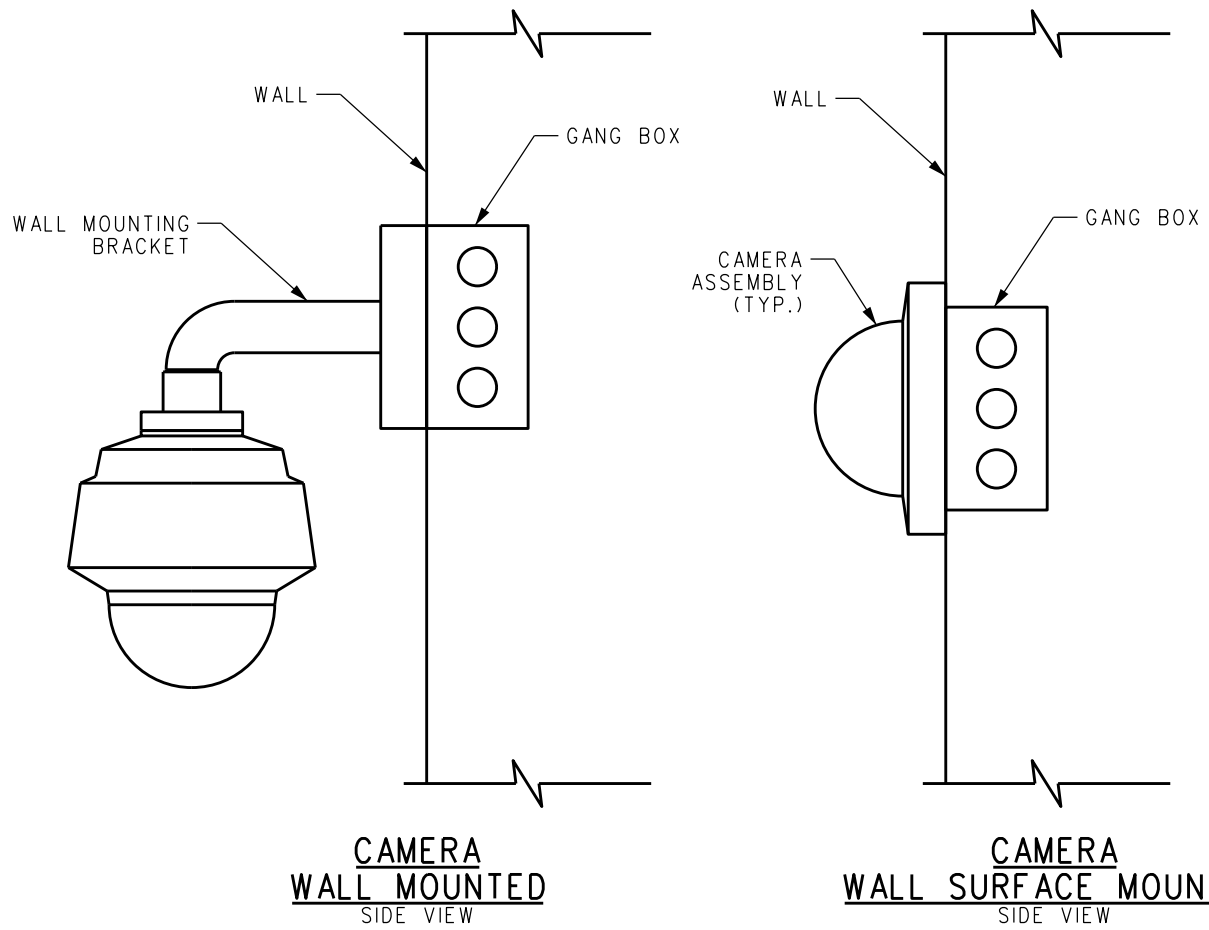
STANDARD	3603
SCALE:	NTS
REVISION SHEET	A 1 OF 1
CADD FILE:	ES3603



**CAMERA
CORNER MOUNTED**



**CAMERA
CEILING SURFACE MOUNTED**



NOTES:

1. THIS DRAWING FOR REFERENCE ONLY. CAMERA TYPE, EQUIPMENT TYPE AND MOUNTING CONFIGURATION MAY VARY BY LOCATION. CABLING PATHWAY AND RACEWAY CONFIGURATION MAY VARY BY LOCATION.
2. CAMERA MOUNT, EQUIPMENT MOUNT AND MOUNTING SUPPORT HARDWARE AS REQUIRED BY MANUFACTURER.
3. ALL SUPPORTING SYSTEM CABLING SHALL BE CONCEALED IN CONDUITS FROM OUTDOOR ELEMENTS, IF APPLICABLE.
4. CABLING PATHWAY AND RACEWAY ELEMENTS NOT SHOWN (UNLESS SHOWN OTHERWISE). CONDUIT SHALL BE FURNISHED AND INSTALLED AS A SYSTEM WITH ALL REQUIRED FITTINGS, BOXES, TERMINATIONS AND OTHER INSTALLATION ACCESSORIES; ALL IN ACCORDANCE WITH THE SCRRRA ENGINEERING STANDARDS, MANUFACTURER'S INSTRUCTIONS AND CONTRACT DOCUMENTS.

REV.	DATE	DESCRIPTION	DES.	ENG.
X	XX-XX-XX	REVISION	XX	XX

DRAWN BY: L. AQUINO DATE: 07-22-15

[Signature]
PRINCIPAL ENGINEER, DESIGN & STANDARDS

[Signature]
ASSISTANT DIRECTOR, DESIGN

SCRRRA ENGINEERING STANDARDS ARE INTENDED FOR SCRRRA APPROVED USES ONLY. FOR NON-SCRRRA APPROVED USES, SCRRRA SHALL NOT BE RESPONSIBLE FOR THE ACCURACY OR COMPLETENESS OF THE DATA OR INFORMATION CONTAINED HEREIN. THE SELECTION AND USE OF THESE STANDARDS IS THE SOLE RESPONSIBILITY OF THE USER AND SHOULD NOT BE USED WITHOUT CONSULTING A REGISTERED PROFESSIONAL ENGINEER. ALL WARRANTIES AND REPRESENTATIONS OF ANY KIND ARE DISCLAIMED. ANYONE MAKING USE OF THIS INFORMATION AGREES THAT IT ASSUMES ALL LIABILITY ARISING FROM SUCH USE. NO PART OF THESE STANDARDS SHOULD BE REPRODUCED OR DISTRIBUTED IN ANY FORM OR BY ANY MEANS WITHOUT THE PRIOR WRITTEN PERMISSION OF SCRRRA. ALL RIGHTS RESERVED.

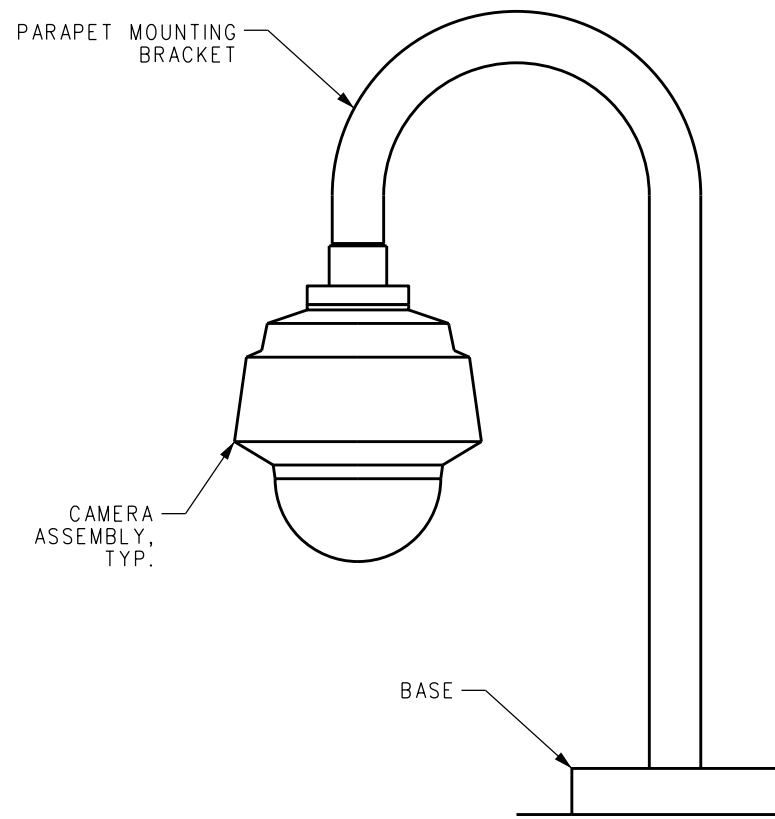
METROLINK

SOUTHERN CALIFORNIA REGIONAL RAIL AUTHORITY
900 WILSHIRE BLVD., SUITE 1500, L. A., CA. 90017

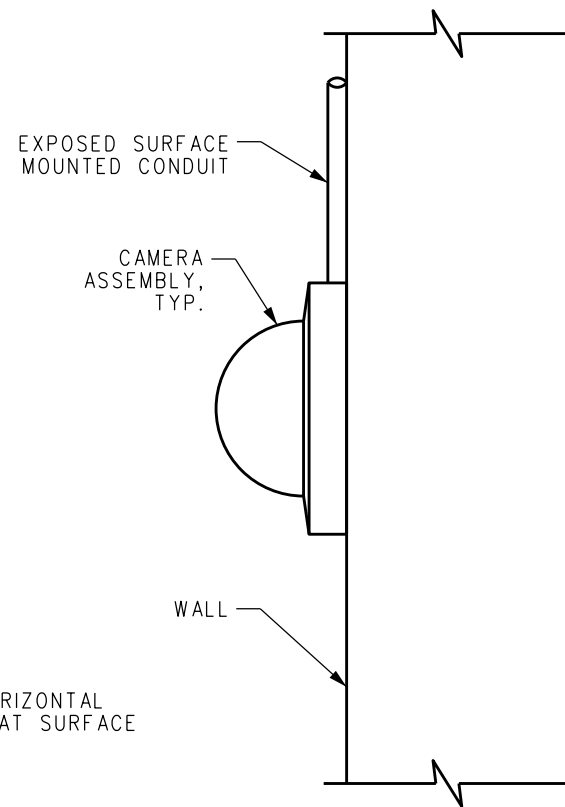
ENGINEERING STANDARDS

VIDEO SURVEILLANCE SYSTEM (VSS)
EQUIPMENT MOUNTING
CONFIGURATIONS (TYPICAL)

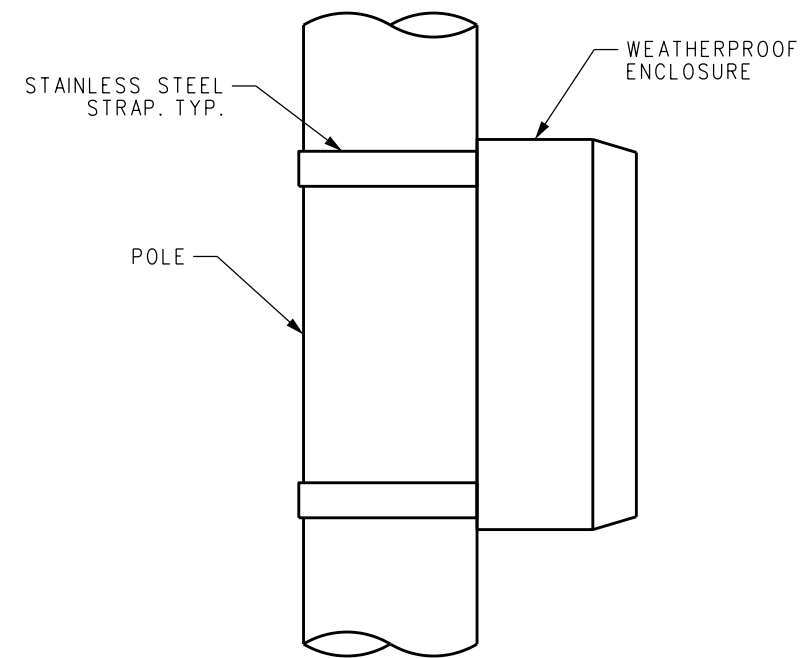
STANDARD	3604
SCALE:	NTS
REVISION SHEET	1 OF 3
CADD FILE:	ES3604-01



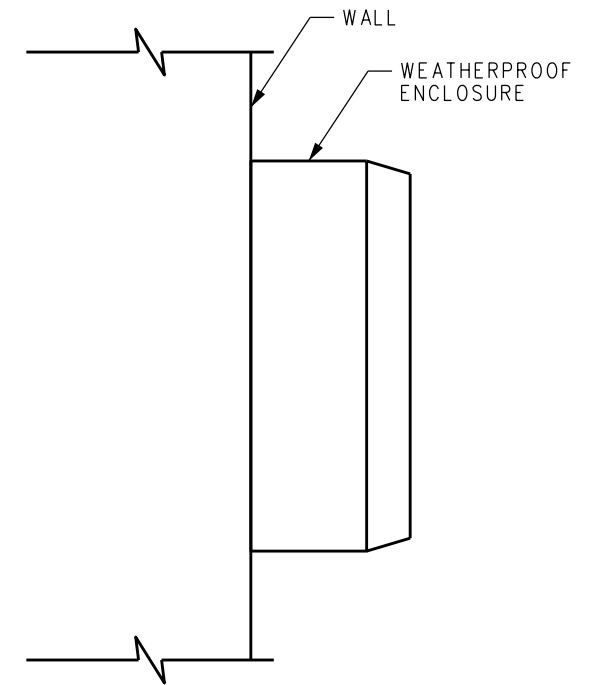
**CAMERA
PARAPET MOUNTED**
SIDE VIEW



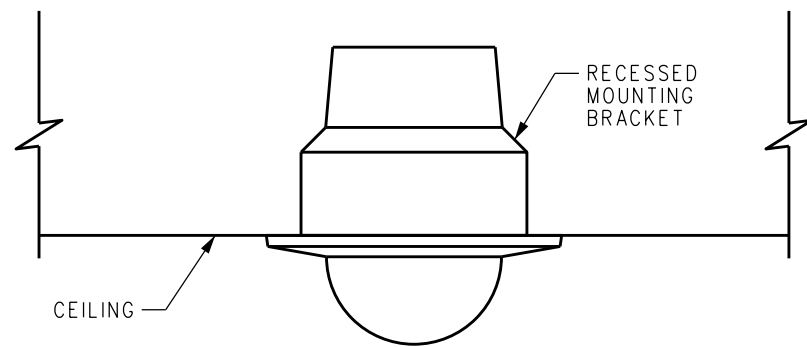
**CAMERA
WALL SURFACE MOUNTED
EXPOSED CONDUIT**
SIDE VIEW



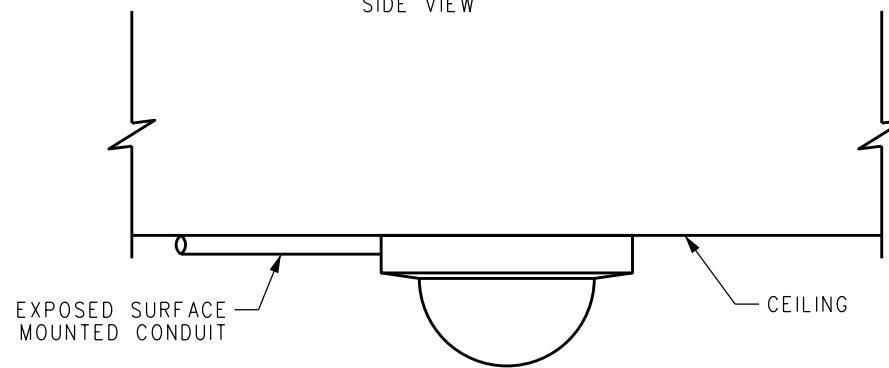
**WEATHERPROOF ENCLOSURE
POLE MOUNTED**
SIDE VIEW



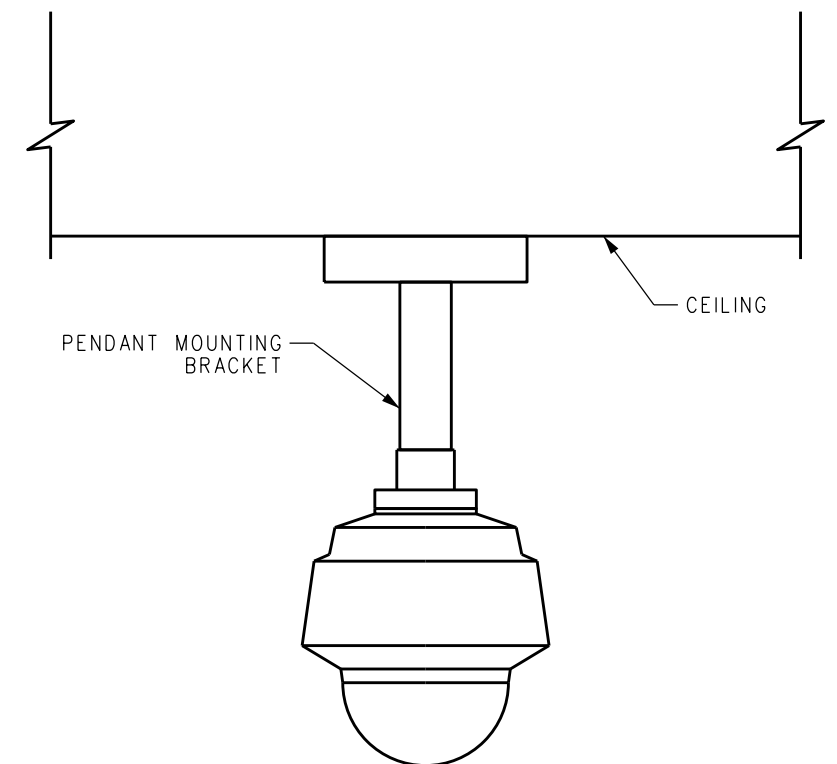
**WEATHERPROOF ENCLOSURE
WALL MOUNTED**
SIDE VIEW



**CAMERA
CEILING FLUSH MOUNTED**
SIDE VIEW



**CAMERA
CEILING SURFACE MOUNTED
EXPOSED CONDUIT**
SIDE VIEW



**CAMERA
PENDANT MOUNTED**
SIDE VIEW

NOTES:

1. THIS DRAWING FOR REFERENCE ONLY. CAMERA TYPE, EQUIPMENT TYPE AND MOUNTING CONFIGURATION MAY VARY BY LOCATION. CABLING PATHWAY AND RACEWAY CONFIGURATION MAY VARY BY LOCATION.
2. CAMERA MOUNT, EQUIPMENT MOUNT AND MOUNTING SUPPORT HARDWARE AS REQUIRED BY MANUFACTURER.
3. ALL SUPPORTING SYSTEM CABLING SHALL BE CONCEALED IN CONDUITS FROM OUTDOOR ELEMENTS, IF APPLICABLE.
4. CABLING PATHWAY AND RACEWAY ELEMENTS NOT SHOWN (UNLESS SHOWN OTHERWISE). CONDUIT SHALL BE FURNISHED AND INSTALLED AS A SYSTEM WITH ALL REQUIRED FITTINGS, BOXES, TERMINATIONS AND OTHER INSTALLATION ACCESSORIES; ALL IN ACCORDANCE WITH THE SCRR ENGINEERING STANDARDS, MANUFACTURER'S INSTRUCTIONS AND CONTRACT DOCUMENTS.

REV.	DATE	DESCRIPTION	DES.	ENG.
X	XX-XX-XX	REVISION	XX	XX

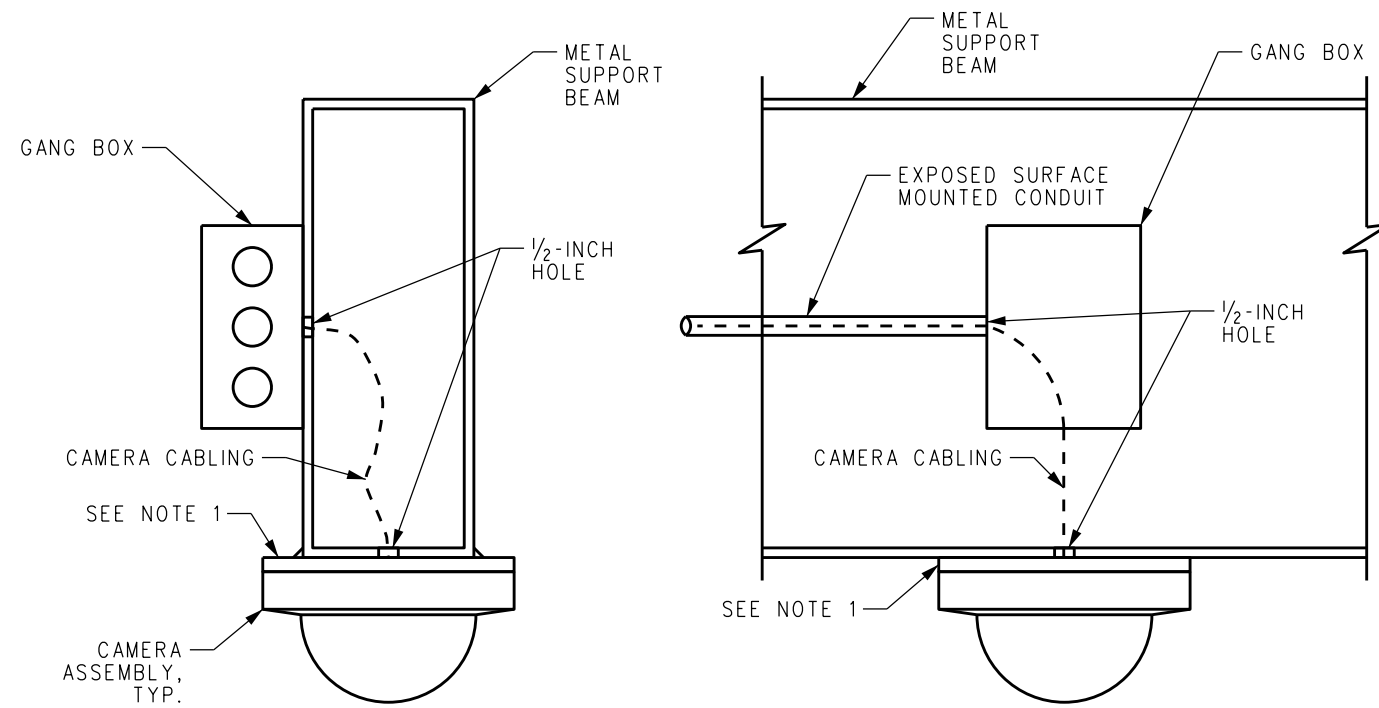
DRAWN BY: L. AQUINO DATE: 07-22-15
 PRINCIPAL ENGINEER, DESIGN & STANDARDS
 ASSISTANT DIRECTOR, DESIGN

SCRR ENGINEERING STANDARDS ARE INTENDED FOR SCRR APPROVED USES ONLY. FOR NON-SCRR APPROVED USES, SCRR SHALL NOT BE RESPONSIBLE FOR THE ACCURACY OR COMPLETENESS OF THE DATA OR INFORMATION CONTAINED HEREIN. THE SELECTION AND USE OF THESE STANDARDS IS THE SOLE RESPONSIBILITY OF THE USER AND SHOULD NOT BE USED WITHOUT CONSULTING A REGISTERED PROFESSIONAL ENGINEER. ALL WARRANTIES AND REPRESENTATIONS OF ANY KIND ARE DISCLAIMED. ANYONE MAKING USE OF THIS INFORMATION AGREES THAT IT ASSUMES ALL LIABILITY ARISING FROM SUCH USE. NO PART OF THESE STANDARDS SHOULD BE REPRODUCED OR DISTRIBUTED IN ANY FORM OR BY ANY MEANS WITHOUT THE PRIOR WRITTEN PERMISSION OF SCRR. ALL RIGHTS RESERVED.

METROLINK
 SOUTHERN CALIFORNIA REGIONAL RAIL AUTHORITY
 900 WILSHIRE BLVD., SUITE 1500, L. A., CA. 90017

ENGINEERING STANDARDS
 VIDEO SURVEILLANCE SYSTEM (VSS)
 EQUIPMENT MOUNTING
 CONFIGURATIONS (TYPICAL)

STANDARD	3604
SCALE:	NTS
REVISION SHEET	2 OF 3
CADD FILE:	ES3604-02



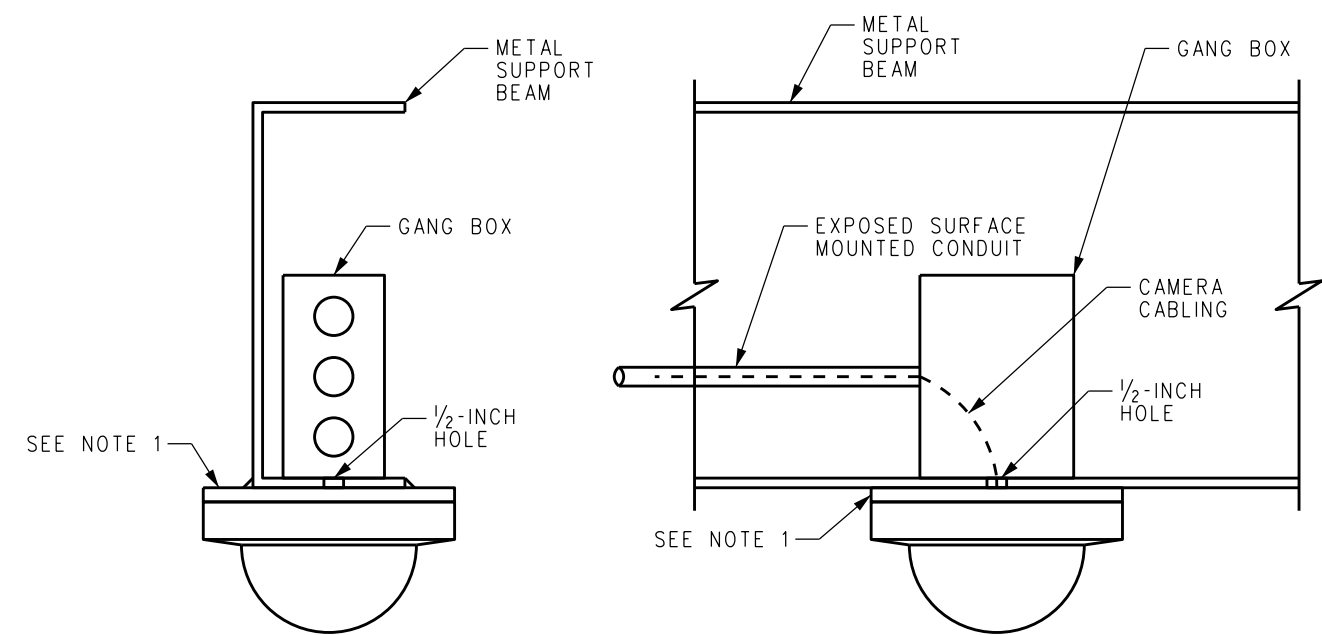
FRONT VIEW

SIDE VIEW

**CAMERA - CANOPY MOUNTED
(RECTANGULAR BEAM)**

NOTES:

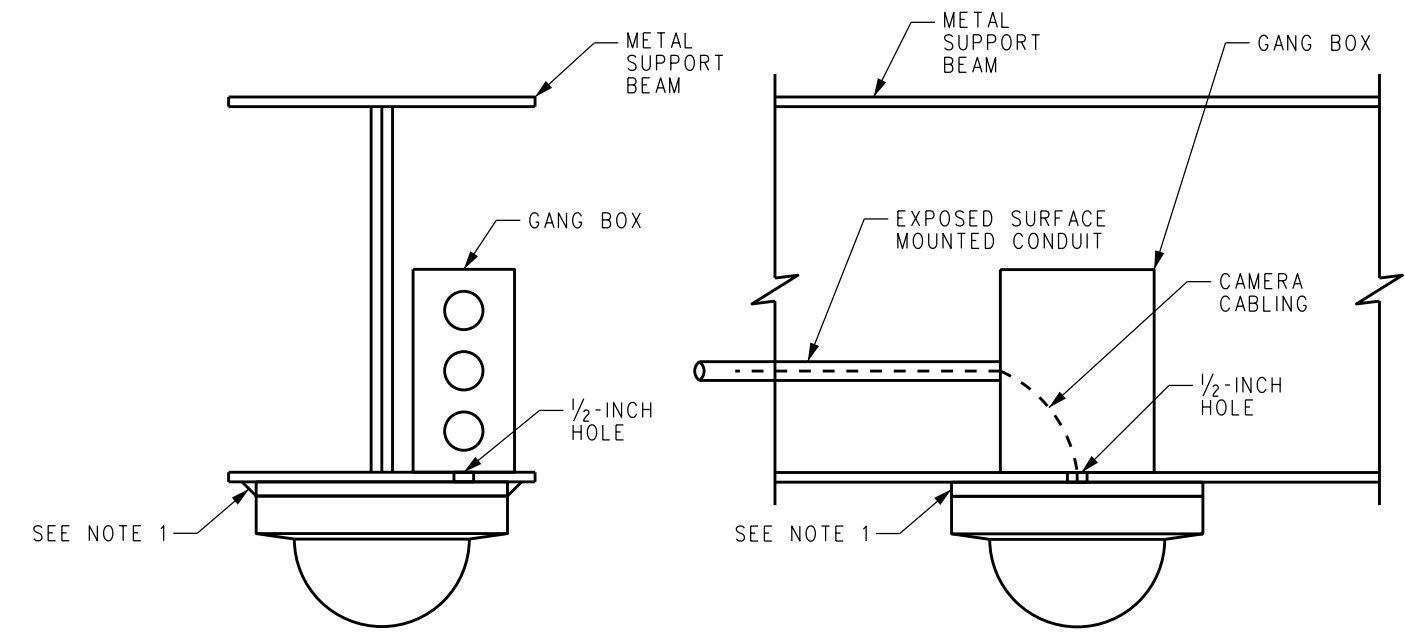
1. STEEL PLATE WELDED TO JOIST AND SIZED SAME AS OUTSIDE CAMERA OR MOUNTING BRACKET DIMENSION (AT MOUNTING POINT).
2. THIS DRAWING FOR REFERENCE ONLY. CAMERA TYPE, EQUIPMENT TYPE AND MOUNTING CONFIGURATION MAY VARY BY LOCATION. CABLING PATHWAY AND RACEWAY CONFIGURATION MAY VARY BY LOCATION.
3. CAMERA MOUNT, EQUIPMENT MOUNT AND MOUNTING SUPPORT HARDWARE AS REQUIRED BY MANUFACTURER.
4. ALL SUPPORTING SYSTEM CABLING SHALL BE CONCEALED IN CONDUITS FROM OUTDOOR ELEMENTS, IF APPLICABLE.
5. CABLING PATHWAY AND RACEWAY ELEMENTS NOT SHOWN (UNLESS SHOWN OTHERWISE). CONDUIT SHALL BE FURNISHED AND INSTALLED AS A SYSTEM WITH ALL REQUIRED FITTINGS, BOXES, TERMINATIONS AND OTHER INSTALLATION ACCESSORIES; ALL IN ACCORDANCE WITH THE SCRA ENGINEERING STANDARDS, MANUFACTURER'S INSTRUCTIONS AND CONTRACT DOCUMENTS.



FRONT VIEW

SIDE VIEW

**CAMERA - CANOPY MOUNTED
(CHANNEL BEAM)**



FRONT VIEW

SIDE VIEW

**CAMERA - CANOPY MOUNTED
(I-BEAM)**

REV.	DATE	DESCRIPTION	DES.	ENG.
X	XX-XX-XX	REVISION	XX	XX

DRAWN BY: L. AQUINO DATE: 07-22-15
 PRINCIPAL ENGINEER, DESIGN & STANDARDS
 ASSISTANT DIRECTOR, DESIGN

SCRA ENGINEERING STANDARDS ARE INTENDED FOR SCRA APPROVED USES ONLY. FOR NON-SCRA APPROVED USES, SCRA SHALL NOT BE RESPONSIBLE FOR THE ACCURACY OR COMPLETENESS OF THE DATA OR INFORMATION CONTAINED HEREIN. THE SELECTION AND USE OF THESE STANDARDS IS THE SOLE RESPONSIBILITY OF THE USER AND SHOULD NOT BE USED WITHOUT CONSULTING A REGISTERED PROFESSIONAL ENGINEER. ALL WARRANTIES AND REPRESENTATIONS OF ANY KIND ARE DISCLAIMED. ANYONE MAKING USE OF THIS INFORMATION AGREES THAT IT ASSUMES ALL LIABILITY ARISING FROM SUCH USE. NO PART OF THESE STANDARDS SHOULD BE REPRODUCED OR DISTRIBUTED IN ANY FORM OR BY ANY MEANS WITHOUT THE PRIOR WRITTEN PERMISSION OF SCRA. ALL RIGHTS RESERVED.

METROLINK
 SOUTHERN CALIFORNIA REGIONAL RAIL AUTHORITY
 900 WILSHIRE BLVD., SUITE 1500, L. A., CA. 90017

ENGINEERING STANDARDS
 VIDEO SURVEILLANCE SYSTEM (VSS)
 EQUIPMENT MOUNTING
 CONFIGURATIONS (TYPICAL)

STANDARD	3604
SCALE:	NTS
REVISION SHEET	3 OF 3
CADD FILE:	ES3604-03